

# Instruction Manual

## DODGE® Ball Bearing Metal End Covers

These instructions must be read thoroughly before installing or operating this product.

**WARNING:** To ensure that drive is not unexpectedly started, turn off and lock out or tag power source before proceeding. Failure to observe these precautions could result in bodily injury.

**NOTE:** Metal end covers are designed and intended for use with flange-style housings only.

### INSTALLATION

1. After installation of bearing on shaft, remove grease lubrication fitting with a 7/16" (11mm) socket or wrench.
2. Align end cover tab hole with the grease fitting hole in the housing.
3. Push the cover into the counterbored hole in the housing so that the two tabs are in contact with the back face of the counterbore (see Figure 1). Then push the cover downward so that both tabs are felt to lock into the end cover groove.
4. While holding pressure down on the cover, replace the grease lubrication fitting by placing the fitting through the tab of the cover and into the housing. Tighten the lubrication fitting with a torque wrench to approximately 30 in-lb (34 kgf-cm or 340 N-cm). Pull the cover outward to make sure the cover is securely locked into place.
5. For non re-lube bearings, use hex head plug (part number 430020) in place of the grease lubrication fitting.

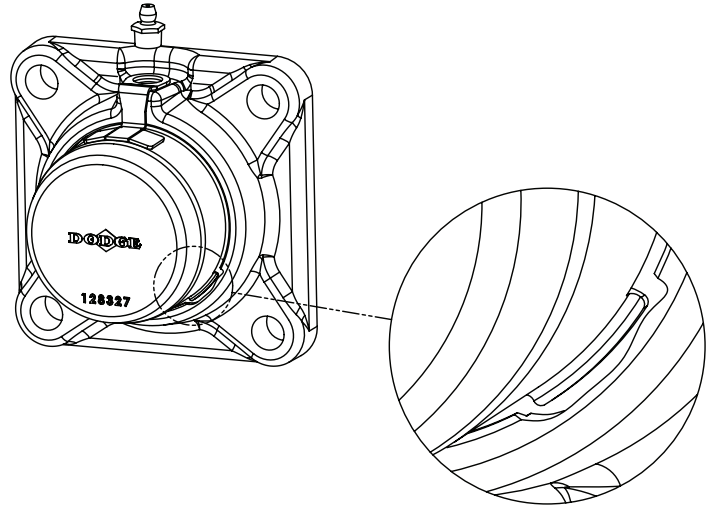


Figure 1 - End Cover Tab Alignment

Series	Closed End Closure P/N	Open End Closure P/N
207	128327	128340
209	128329	128342
210	128330	128343
212	128332	128345
215	128334	128347

**WARNING:** Because of the possible danger to person(s) or property from accidents which may result from the improper use of products, it is important that correct procedures be followed: Products must be used in accordance with the engineering information specified in the catalog. Proper installation, maintenance and operation procedures must be observed. The instructions in the instruction manuals must be followed. Inspections should be made as necessary to assure safe operation under prevailing conditions. Proper guards and other suitable safety devices or procedures as may be desirable or as may be specified in safety codes should be provided, and are neither provided by Baldor Electric Company nor are the responsibility of Baldor Electric Company. This unit and its associated equipment must be installed, adjusted and maintained by qualified personnel who are familiar with the construction and operation of all equipment in the system and the potential hazards involved. When risk to persons or property may be involved, a holding device must be an integral part of the driven equipment beyond the speed reducer output shaft.

# **BALDOR**

A MEMBER OF THE ABB GROUP

P.O. Box 2400, Fort Smith, AR 72902-2400 U.S.A., Ph: (1) 479.646.4711, Fax (1) 479.648.5792, International Fax (1) 479.648.5895

**Dodge Product Support**

6040 Ponders Court, Greenville, SC 29615-4617 U.S.A., Ph: (1) 864.297.4800, Fax: (1) 864.281.2433

[www.baldor.com](http://www.baldor.com)

© Baldor Electric Company  
MN3081



All Rights Reserved. Printed in USA.  
12/12 Printshop 3000