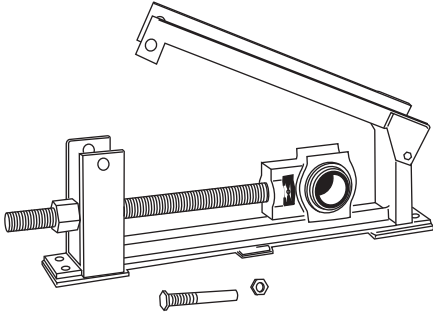


Installation Manual for DODGE® Center-Pull Take-Up Frame Assemblies

These instructions must be read thoroughly before installing or operating this product.

WARNING: To ensure that drive is not unexpectedly started, turn off and lock out or tag power source before proceeding. Failure to observe these precautions could result in bodily injury.



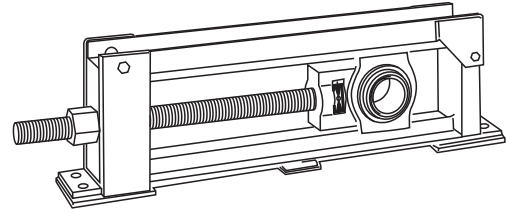
INSTALLATION:

1. Make sure that take-up bearing corresponds to the frame that is to be used.
2. Bolt frame to mounting supports using adequate bolts. If pull force exceeds the friction force due to clamping, a stop bar should be welded to the mounting support in the direction of load.
3. Remove bolt (A) Fig. 1, and pivot upper frame assembly to the full open position.

WARNING: Care should be taken that upper frame assembly is adequately supported and in a position where it will not close accidentally. Failure to observe these precautions could result in bodily injury.

4. Place square retaining nut into slot of take-up bearing, then place adjusting screw through hole in end of takeup bearing. Thread adjusting screw into square retaining nut until locking pin hole lines up. Support bearing housing and drive locking pin (packaged with frame) into retaining nut and through adjusting screw. Install adjusting nut on other end of adjusting screw.

WARNING: Because of the possible danger to persons(s) or property from accidents which may result from the improper use of products, it is important that correct procedures be followed. Products must be used in accordance with the engineering information specified in the catalog. Proper installation, maintenance and operation procedures must be observed. The instructions in the instruction manuals must be followed. Inspections should be made as necessary to assure safe operation under prevailing conditions. Proper guards and other suitable safety devices or procedures as may be desirable or as may be specified in safety codes should be provided, and are neither provided by Baldor Electric nor are the responsibility of Baldor Electric. This unit and its associated equipment must be installed, adjusted and maintained by qualified personnel who are familiar with the construction and operation of all equipment in the system and the potential hazards involved. When risk to persons or property may be involved, a holding device must be an integral part of the driven equipment beyond the speed reducer output shaft.

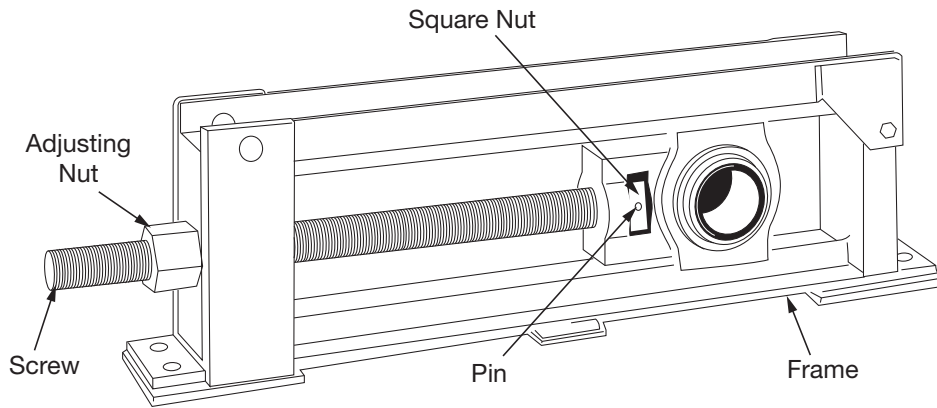


5. Install take-up bearing and adjusting screw assembly on shaft so that the collar faces outward. This allows easy locking of bearing to shaft and ample access to the lube fitting after installation.

WARNING: Take necessary steps to insure that take-up bearing does not slip off shaft while installing bearing and shaft assembly into take-up frame base. Failure to observe these precautions could result in equipment damage.

6. Lower take-up bearing and shaft assembly into lower half of frame, placing adjustment nut into the U portion of the take-up frame end plate. With the bearing and shaft assembly still supported, position bearing on shaft so bearing housing slots line up with frame guide rails. Tighten setscrew once bearing is positioned.
7. Pivot top frame assembly into position capturing the take-up bearing between the frame guide rails. Install bolt and nut (A). If possible, load should be parallel to take-up screw.
8. If two take-up frames are used to support a shaft, make sure that the guide rails are parallel to each other to prevent blinding and preloading of the bearings. When tensioning using the take-up frames, it is imperative that both frames be tightened either simultaneously, or if individually, the amount of incremental travel should be small to prevent excessive misalignment of one frame relative to the other.





Center Pull Take-Up Frame Part Numbers

Frame Assembly Size	Nominal Travel	Frame Part Number	Adjusting Nut	Screw Assembly *
CP308 x	12	019200	019704	389850
	18	019201	019704	389851
	24	019202	019704	389852
	30	019203	019704	389853
	36	019204	019704	389854
CP400 x	12	019210	019705	389855
	18	019211	019705	389856
	24	019212	019705	389857
	30	019213	019705	389858
	36	019214	019705	389859
CP408 x	12	019220	019706	389860
	18	019221	019706	389861
	24	019222	019706	389862
	30	019223	019706	389863
	36	019224	019706	389864
CP502x	12	019230	019707	389865
	18	019231	019707	389866
	24	019232	019707	389867
	30	019233	019707	389868
	36	019234	019707	389869
CP515x	12	019240	019708	389870
	18	019241	019708	389871
	24	019242	019708	389872
	30	019243	019708	389875
	36	019244	019708	389874
CP613x	12	019250	019709	389875
	18	019251	019709	389876
	24	019252	019709	389877
	30	019253	019709	389878
	36	019254	019709	389879
CP810x	12	019260	019710	389880
	18	019261	019710	389881
	24	019262	019710	389882
	30	019263	019710	389883
	36	019264	019710	389884
CP908x	12	019270	019710	389885
	18	019271	019710	389886
	24	019272	019710	389887
	30	019273	019710	389888
	36	019274	019710	380889
CP1004x	12	019280	019712	389890
	18	019281	019712	389891
	24	019282	019712	389892
	30	019283	019712	389893
	36	019284	019712	389894

* Includes screw, pin and square nut.



A MEMBER OF THE ABB GROUP

P.O. Box 2400, Fort Smith, AR 72902-2400 U.S.A., Ph: (1) 479.646.4711, Fax (1) 479.648.5792, International Fax (1) 479.648.5895

Dodge Product Support

6040 Ponders Court, Greenville, SC 29615-4617 U.S.A., Ph: (1) 864.297.4800, Fax: (1) 864.281.2433

www.baldor.com

© Baldor Electric Company
MN3068 (Replaces 499932)



All Rights Reserved. Printed in USA.
3/14 Web only