

DODGE® Instruction Manual for Type K and DOUBLE-INTERLOCK® Pillow Blocks & S-1 Units

These instructions must be read thoroughly before installation or operation. This instruction manual was accurate at the time of printing. Please see www.baldor.com for updated instruction manuals.

WARNING: To ensure that drive is not unexpectedly started, turn off and lock out or tag power source before proceeding. Failure to observe these precautions could result in bodily injury.

WARNING: All products over 25 kg (55 lbs) are noted on the shipping package. Proper lifting practices are required for those products.

FITTING OR REPLACING A UNIT IN A PILLOW BLOCK

- Up to 5" bore, match marks have been stamped on the mating faces of the cap and base of each outer housing. Over 5" bore match mark cap and base of each outer housing before removing cap. When reassembling pillow block make sure match marks on cap and base match.
- Lubricate bearing seat on the cap and on the base of the outer housing with an anti-seize compound.
- Fit each unit to its outer housing before carrying out step 7. Place the unit in the pillow block base and install cap. Tighten cap bolts to specified torque in Table 1.

Table 1 – Cap Bolt Torque
(Non-Expansion & Expansion)

Bore Size (In.)	2 Bolt Base		4 Bolt Base	
	Bolt Size	Torque Ft.-Lbs.	Bolt Size	Torque Ft.-Lbs.
1-3/16 – 1-11/16	3/8 – 16	24 – 30	—	—
1-15/16 – 2-3/16	7/16 – 14	40 – 50	—	—
2-7/16 – 2-1/2	1/2 – 13	60 – 75	1/2 – 13	60 – 75
2-15/16 – 3	5/8 – 11	120 – 150	5/8 – 11	120 – 150
3-7/16 – 3-1/2	3/4 – 10	208 – 260	3/4 – 10	208 – 260
3-15/16 – 4	—	—	3/4 – 10	208 – 260
4-7/16 – 4-1/2	—	—	7/8 – 9	344 – 430
4-15/16 – 5	—	—	1 – 8	512 – 640
5-7/16 – 6	—	—	1 – 8	512 – 640
6-7/16 – 7	—	—	1 – 8	512 – 640

- Add or remove shims between cap and base as required to obtain “snug” fit of unit in outer housing with cap bolts tightened to specified torque in Table 1.
- Check fit by prying against lubrication stud in unit through the lubrication hole in housing cap with a screwdriver or small pinch bar depending upon the size of the pillow blocks.

WARNING: Because of the possible danger to persons(s) or property from accidents which may result from the improper use of products, it is important that correct procedures be followed: Products must be used in accordance with the engineering information specified in the catalog. Proper installation, maintenance and operation procedures must be observed. The instructions in the instruction manuals must be followed. Inspections should be made as necessary to assure safe operation under prevailing conditions. Proper guards and other suitable safety devices or procedures as may be desirable or as may be specified in safety codes should be provided, and are neither provided by Baldor Electric Company nor are the responsibility of Baldor Electric Company. This unit and its associated equipment must be installed, adjusted and maintained by qualified personnel who are familiar with the construction and operation of all equipment in the system and the potential hazards involved. When risk to persons or property may be involved, a holding device must be an integral part of the driven equipment beyond the speed reducer output shaft.

- The “snug” fit becomes a matter of judgment. A “loose or sloppy” fit may allow a unit mount to move in its outer housing thus wearing the mating surfaces. Too “tight” a fit will not allow the unit to move and compensate for misalignment and for shaft deflection caused by belt pull and dead weight.
- Install bearings per installation instructions contained in this manual.

INSTALLATION INSTRUCTIONS

- Shaft must be clean, free of burrs and lubricated. File nicks from housing bases.
- Loosen setscrews in collar and slide bearings on shaft. If force is necessary, tap inner race only with a light drift. For vertical applications, locate adjusting nut on bearing so nut faces upward.
- Position expansion (floating) pillow block on mounting surface and tighten base hold-down bolts.
- Position non-expansion (fixed) pillow block in correct relation to shaft and mounting surface. Tighten base holddown bolts, then torque setscrews in collar per Table 2.
- The effort required to turn the shaft should be the same before and after bolting bearings to the support.

Table 2 – Set Screw Torque

Bore Size (In)	Set Screw Size (In)	In-Lbs
1-3/16 – 1-11/16	5/16	165
1-3/4 – 2-1/2	3/8	290
2-11/16 – 3-1/2	1/2	620
3-15/16 – 5	5/8	1325
5-7/16 – 6	3/4	2150
6-7/16 – 7	7/8	5130

- Mount a dial indicator on the shaft near the nonexpansion (fixed) bearing. Place the indicator probe so that it contacts the machined surface of the S-1 Unit Housing perpendicular to that surface. See sketch below. Only one face of the S-1 Unit is a machined face.

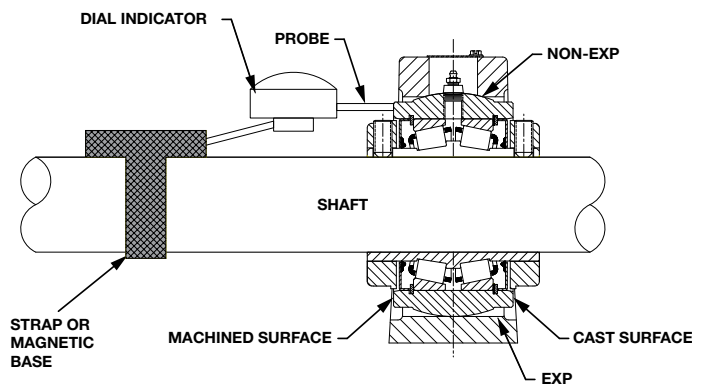


Figure 1 - S-1 Unit

- Zero the indicator and sweep the machined face 360°, noting the total indicator turnout (TIR).
- If the TIR is less than or equal to the value shown on Table 3, tighten the housing cap bolts per Table 1.
- If the TIR is greater than shown on Table 3, gently tap the machined face of the S-1 housing until the TIR is less than or equal to the value shown on Table 3. Then torque the housing cap bolts per Table 1. Sweep machined faces again to verify that the TIR is still less than or equal to the value shown on Table 3.

Table 3 – Total Indicator Run-out (TIR)

Shaft Size (Inches)	TIR (Inches)
1-3/16 – 1-7/16	0.0030
1-1/2 – 1-11/16	0.0035
1-3/4 – 2	0.0040
2-3/16	0.0040
2-1/4 – 2-1/2	0.0045
2-11/16 – 3	0.0055
3-3/16 – 3-1/2	0.0065
3-15/16 – 4	0.0070
4-7/16 – 4-1/2	0.0080
4-15/16 – 5	0.0085

10. The non-expansion (fixed) bearing is now installed. Move to the expansion (floating) bearing.
11. Locate expansion unit in center of its axial travel or at extreme if maximum expansion is required (do not preload stop pin) and torque collar setscrews (52) per Table 2.
12. Do not install external grease fittings until completion of final steps below.
13. Torque setscrews of expansion unit (Table 2).
14. Repeat Steps 6, 7, 8 and 9 for the expansion bearing.
15. The expansion (floating) bearing is now installed.

LUBRICATION GUIDELINES

This bearing is factory lubricated with a lithium or lithium complex base grease which is suitable for most applications. However, extra protection is necessary if the bearing is subjected to excessive moisture, dust, corrosive vapor or other harsh environments. In these cases, the bearing should contain as much grease as speed will permit (a full bearing with consequent slight leakage through the seal is the best protection against contaminant entry).

For relubrication, select a grease that is compatible with a lithium or lithium complex grease. The following table is a general guide for normal operating conditions. However, some situations may require a change in lubricating periods as dictated by experience.

Normal Operation — This bearing has been greased at the factory and is ready to run. The following table is a general guide for relubrication. However, certain conditions may require a change of lubricating periods as dictated by experience. See “High Speed Operation” and “Operation in Presence of Dust, Water or Corrosive Vapors” above.

High Speed Operation — High speed operation is 70% of maximum catalog speed and above. In the higher speed ranges too much grease will cause overheating. The amount of grease that the bearing will take for a particular high speed application can only be determined by experience — see “Operating Temperature” below. If excess grease in the bearing causes overheating, it will be necessary to remove grease fitting (also drain plug when furnished) to permit excess grease to escape. The bearing has been greased at the factory and is ready to run. When establishing a relubrication schedule, note that a small amount of grease at frequent intervals is preferable to a large amount at infrequent intervals.

Operation in Presence of Dust, Water or Corrosive Vapors

— Under these conditions the bearing should contain as much grease as speed will permit, since a full bearing with consequent slight leakage is the best protection against entrance of foreign material. In the higher speed ranges too much grease will cause overheating — see “High Speed Operation” above. In the lower speed ranges it is advisable to add extra grease to a new bearing before putting into operation. Bearings should be greased as often as necessary (daily if required) to maintain a slight leakage at the seals.

Operating Temperature — Abnormal bearing temperature may indicate faulty lubrication. Normal temperature may range from a few degrees up to 100°F above ambient, depending on bearing size, speed, loading and environmental conditions. Unusually high temperature, in this range, accompanied by excessive leakage of grease indicates too much grease. In the circumstance that there is excess grease in the bearing, remove the grease fitting to allow the excess grease to purge. When purging ceases, wipe excess grease with a clean rag and screw fitting back into the bearing. High temperature with no grease showing at the seals, particularly if the bearing seems noisy, usually indicates too little grease. Normal temperature and a slight showing of grease at the seals indicate proper lubrication.

Table 4 – Lubrication Guide
Read Preceding Paragraphs Before
Establishing Lubrication Schedule

Hours Run per Day	Suggested Lubrication Period In Weeks				
	1 to 250 RPM	251 to 500 RPM	501 to 750 RPM	751 to 1000 RPM	1001 to 1500 RPM
8	12	12	10	7	5
16	12	7	5	4	2
24	10	5	3	2	1

Lubrication recommendations are intended for standard products applied in general operating conditions. For modified products, high temperature environments and other anomalous applications, contact product engineering at 864.284.5700.

Kind of Grease — Many ordinary cup greases will disintegrate at speeds far below those at which DODGE bearings will operate successfully if proper grease is used. DODGE bearings have been lubricated at the factory with an NLGI #2 lithium complex base grease. Relubricate with lithium complex-base grease or a grease which is compatible with original lubricant and suitable for roller bearing service. In unusual or doubtful cases the recommendation of a reputable grease manufacturer should be secured.

Storage or Special Shutdown — If exposed to wet or dusty conditions or to corrosive vapors, extra protection is necessary. Add grease until it shows at the seals; rotate the bearing to distribute grease; cover the bearing. After storage or idle period, add a little fresh grease before running. During long idle periods, rotate shaft at least once a month.

Special Operating Conditions — Refer acid, chemical, extreme or other special operating conditions to Baldor Electric Company.



P.O. Box 2400, Fort Smith, AR 72902-2400 U.S.A., Ph: (1) 479.646.4711, Fax (1) 479.648.5792, International Fax (1) 479.648.5895

Dodge Product Support

6040 Ponders Court, Greenville, SC 29615-4617 U.S.A., Ph: (1) 864.297.4800, Fax: (1) 864.281.2433

www.baldor.com

