

INSTRUCTION MANUAL FOR DODGE®S-2000 SPHERICAL ROLLER BEARINGS

These instructions must be read thoroughly before installing or operating this product.

WARNING: To ensure that drive is not unexpectedly started, turn off and lock out or tag power source before proceeding. Failure to observe these precautions may result in bodily injury.

INSTALLATION

GENERAL INFORMATION

DODGE S-2000 Spherical Roller Bearing mounted units incorporate a unique way of sealing the internal components of the bearing while still allowing a full + or - 1 degree of misalignment. The patented sealing system (Pat. #5,908,249) has proven effective, due to its constant contact pressure, in protecting the internal bearing components under maximum allowable misaligned conditions.

NON-EXPANSION BEARING

1. Clean shaft and bore of bearing. The shaft should be straight, free of burrs and nicks, and correct size (see shaft tolerance table). If used shafting is utilized, then the bearing should be mounted on unworn section of shafting.
2. Lubricate shaft and bearing bore with grease or oil to facilitate assembly. Slip bearing into position. When light press fit is required, press against the end of the inner ring of bearing. Do not strike or exert pressure on the housing or seals.
3. Bolt bearing to support, using shims where necessary to align bearing so inner ring does not rub on seal carrier. Use full shims which extend across the entire housing base.
4. Determine final shaft position and tighten setscrews in the locking collar(s) of non-expansion bearing to recommended torque while the other bearings remain free. Rotate the shaft slowly under load, if possible, to properly center the rolling elements with respect to the raceways. Then tighten setscrews into the locking collar of the remaining bearings to the recommended torque.

WARNING: Because of the possible danger to persons(s) or property from accidents which may result from the improper use of products, it is important that correct procedures be followed: Products must be used in accordance with the engineering information specified in the catalog. Proper installation, maintenance and operation procedures must be observed. The instructions in the instruction manuals must be followed. Inspections should be made as necessary to assure safe operation under prevailing conditions. Proper guards and other suitable safety devices or procedures as may be desirable or as may be specified in safety codes should be provided, and are neither provided by Baldor Electric Company nor are the responsibility of Baldor Electric Company. This unit and its associated equipment must be installed, adjusted and maintained by qualified personnel who are familiar with the construction and operation of all equipment in the system and the potential hazards involved. When risk to persons or property may be involved, a holding device must be an integral part of the driven equipment beyond the speed reducer output shaft.

5. Check rotation. If there is any strain, irregular rotational torque or vibration, it could be due to incorrect alignment, bent shaft or bent supports. Installation should be rechecked and correction made where necessary.

EXPANSION BEARING

1. Clean shaft and bore of bearing. The shaft should be straight, free of burrs and nicks, and correct size (see shaft tolerance table). If used shafting is utilized, then the bearing should be mounted on unworn section of shafting.
2. Lubricate shaft and bearing bore with grease or oil to facilitate assembly. Slip bearing into position. When light press fit is required, press against the end of the inner ring of bearing. Do not strike or exert pressure on the housing or seals.
3. Bolt bearing to support, using shims where necessary to align bearing so inner ring does not rub on seal carrier. Use full shims which extend across the entire housing base.
4. Position expansion bearing in the housing. For normal expansion conditions, the bearing insert should be positioned in the center of the housing. To center bearing insert in housing, move bearing insert to extreme position and mark shaft. Then using bearing maximum total expansion table, move bearing insert in opposite direction one-half the total expansion to center bearing in the housing. If maximum expansion is required, move bearing insert to the extreme position in the housing to permit full movement in direction of expansion. After expansion bearing has been positioned in the housing, tighten the setscrews in the locking collar to the recommended torque.
5. Check rotation. If there is any strain, irregular rotational torque or vibration, it could be due to incorrect alignment, bent shaft or bent supports. Installation should be rechecked and correction made where necessary.

FIELD CONVERSION (RE-OP) OF A NON-EXPANSION BEARING INTO AN EXPANSION BEARING

All non-expansion bearing sizes can be re-oped to become expansion bearings. To re-op a non-expansion to an expansion bearing follow these steps:

1. Move the snap ring, opposite from the collar side of bearing, to the outermost snap ring groove.
2. Install bearing per Expansion Bearing instructions listed above.

NOTE: Bearing nameplate has a non-expansion Part Number. When bearing is re-oped the bearing should be marked as expansion for future reference.

Table 1 - BEARING MAXIMUM TOTAL EXPANSION	
Shaft Size (in.)	Total Expansion (in.)
1-3/8 – 1 1/2	3/16
1-11/16 – 3 7/16	1/14
3-15/16	5/16
4-7/16 – 4 15/16	3/8



LUBRICATION INSTRUCTIONS

OPERATION IN PRESENCE OF DUST, WATER OR CORROSION VAPORS

This bearing is factory lubricated with No. 2 consistency lithium complex base grease which is suitable for most applications. However, extra protection is necessary if bearing is subjected to excessive moisture, dust, or corrosive vapor. In these cases, bearing should contain as much grease as speed will permit (a full bearing with consequent slight leakage through the seal is the best protection against contaminant entry).

In extremely dirty environments, the bearing should be purged daily to flush out contaminants. For added protection, it is advisable to shroud the bearing from falling material.

HIGH SPEED OPERATION

At higher operation speeds, too much grease may cause overheating. In these cases, the amount of lubrication can only be determined by experience. If excess grease causes overheating, remove grease fittings and run for ten minutes. This will allow excess grease to escape. Then wipe off excess grease and replace grease fittings.

In higher speed applications, a small amount of grease at frequent intervals is preferable to a large amount at infrequent intervals. However, the proper volume and interval of lubrication can best be determined by experience.

AVERAGE OPERATIONS

The following table is a general guide for normal operating conditions. However, some situations may require a change in lubricating periods as dictated by experience. If the bearing is exposed to unusual operating conditions, consult a reputable grease manufacturer.

Lubrication Guide

Read Preceding Paragraphs Before Establishing Lubrication Schedule

Hours run per day	1 to 250 rpm	251 to 500 rpm	501 to 750 rpm	751 to 1500 rpm	1001 to 2000 rpm	1501 to 2000 rpm	2001 to 2500 rpm	2501 to 3000 rpm
8	12	12	10	7	5	4	3	2
16	12	7	5	4	2	2	2	1
24	10	5	3	2	1	1	1	1

OPERATING TEMPERATURE

Abnormal bearing temperatures may indicate insufficient lubrication. If the housing is too hot to touch for more than a few seconds, check the temperature by applying a thermometer at the top of the pillow block with the thermometer tip surrounded by putty.

Because the thermometer reading will be approximately 10°F lower than the actual bearing temperature, add ten degrees to the reading and compare to the temperature rating of your grease. If the bearing temperature reading is consistent and operating within the recommended limits of your grease, the bearing is operating satisfactorily. The recommended maximum operating temperature for S-2000 Spherical Roller Bearings is 200 °F.

STORAGE OR SPECIAL SHUT DOWN

If equipment will be idle for some time, before shutting down, add grease to the bearing until grease purges from the seals. This will ensure protection of the bearing, particularly when exposed to severe environmental conditions. After storage or idle period, add fresh grease to the bearing before starting.

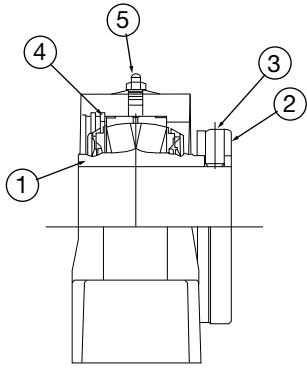
Shaft Size	Socket Set Screw Size	Tightening Torque
1-3/8 – 1-3/4 in.	5/16 in.	165 Inch Pounds
1-15/16 – 2-7/16 in.	3/8 in.	290 Inch Pounds
2-11/16 – 3-7/16 in.	1/2 in.	620 Inch Pounds
3-15/16 – 4-15/16 in.	5/8 in.	1325 Inch Pounds

Normal Shaft Size	Low to Normal Equivalent Load and Catalog Speed*	
Up to 1-1/2 in.	+0.000 in.	-.0005 in.
Over 1-1/2 to 2-1/2 in.	+0.000 in.	-.001 in.
Over 2-1/2 to 4 in.	+0.000 in.	-.001 in.
Over 4 to 5 in.	+0.000 in.	-.0015 in.

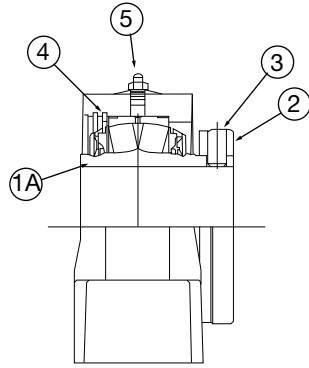
*Normal equivalent load .08C to .18C.

On severe applications and where dynamic balance and minimum runout are important, a snug to light press fit may be required to obtain optimum bearing performance. Consult Dodge Product Support.

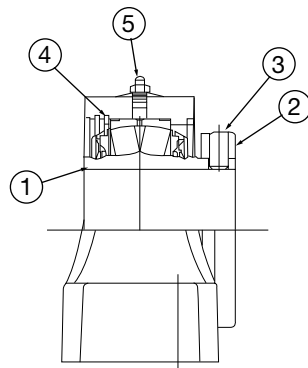
S-2000 Parts Components



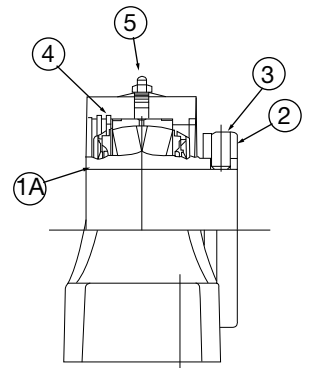
2 BOLT PILLOW
BLOCK S2000-R



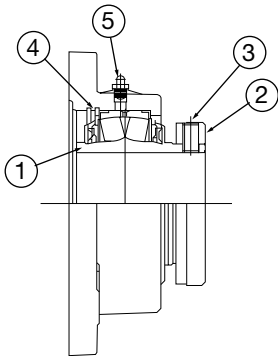
2 BOLT PILLOW
BLOCK S2000-L



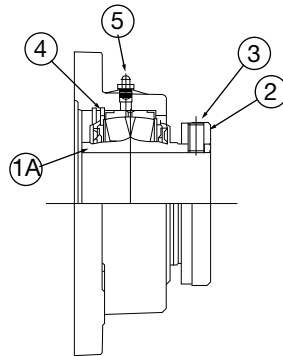
4 BOLT PILLOW
BLOCK S2000-R



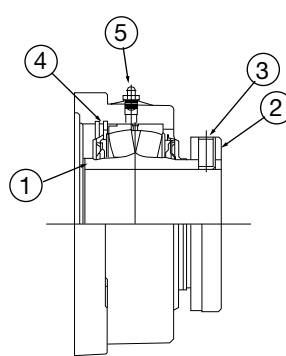
4 BOLT PILLOW
BLOCK S2000-L



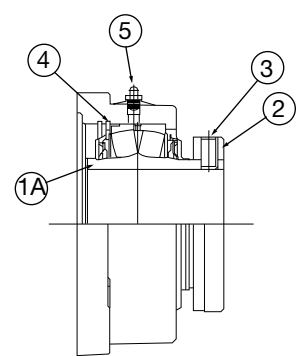
3 & 4 BOLT ROUND
FLANGE S2000-R



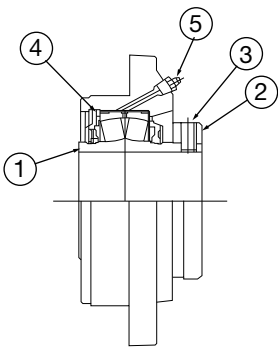
3 & 4 BOLT ROUND
FLANGE S2000-L



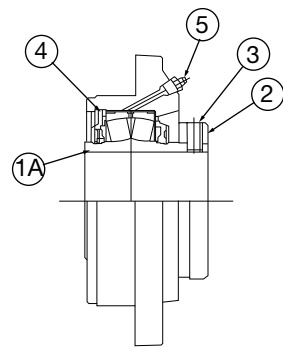
4 BOLT SQUARE
FLANGE S2000-R



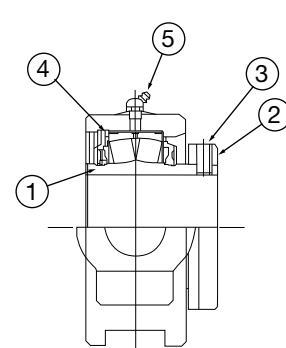
4 BOLT SQUARE
FLANGE S2000-L



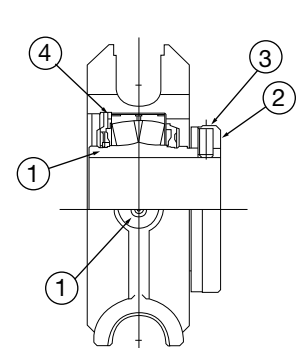
PILOTED FLANGE
S2000-R



PILOTED FLANGE
S2000-L



WIDE SLOT TAKE-
UP S2000-R



TPHU TAKE-UP
S2000-R

COMPONENT PART NUMBERS (1 3/8" - 4 15/16")						
ITEM	1	1A	2	3	4	5
Shaft Size	Bearing Insert Assembly (R) Seal	Bearing Inert Assembly (L) Seal	*Collar	*Set Screw	Snap Ring	**Grease Fitting
1 3/8	070000	070016	040050	400058	069276	405015
1 7/16	070001	070017	040050	400058	069276	405015
1 1/2	070002	070018	040050	400058	069276	405015
1 11/16	070003	070019	040051	400058	069277	405015
1 3/4	070004	070020	040051	400058	069277	405015
1 15/16	070005	070021	070587	400094	069278	405015
2	070006	070022	070587	400094	069278	405015
2 3/16	070007	070023	070588	400094	069279	405015
2 7/16	070008	070024	040054	400094	069280	405015
2 11/16	070009	070025	070589	400150	069281	405015
2 15/16	070010	070026	070589	400150	069281	405015
3	070011	070027	070589	400150	069281	405015
3 7/16	070012	070028	040056	400154	069282	405015
3 15/16	070013	070029	060946	400186	069283	405015
4 7/16	070014	070030	* 060947	* 400186	069284	405015
4 15/16	070015	070031	* 040059	* 400190	069285	405015
QTY/PER	1	1	1	2	1	1
*Shaft sizes 4 7/16" - 4 15/16" have two collars a ** WSTU and TPHU TU take a 405016 grease fitting.						

BALDOR®

A MEMBER OF THE ABB GROUP

P.O. Box 2400, Fort Smith, AR 72902-2400 U.S.A., Ph: (1) 479.646.4711, Fax (1) 479.648.5792, International Fax (1) 479.648.5895

Dodge Product Support

6040 Ponders Court, Greenville, SC 29615-4617 U.S.A., Ph: (1) 864.297.4800, Fax: (1) 864.281.2433

www.baldor.com

