

Instruction Manual

DODGE® TORQUE-ARM™II Cooling Fan Assemblies

TA4207CF
TA5215CF

TA6307CF
TA7315CF

TA8407CF
TA9415CF

TA10507CF
TA12608CF

These instructions must be read thoroughly before installation or operation.

COOLING FAN INSTALLATION

WARNING: To ensure that drive is not unexpectedly started, turn off and lock out or tag power source before proceeding. Remove all external loads from drive before removing or servicing drive or accessories. Failure to observe these precautions could result in bodily injury.

Unpack all components and inspect for shipping damage. Do not use any component that has been damaged or modified. Make sure all components are clean and free of any foreign material prior to assembly. Cooling fan assembly is designed to fit onto the input shaft before placement of sheaves or belt guard assembly.

Installation for TA4207CF and TA5215CF:

1. Referring to Figure 2, install tapered bushing (9) into bore of fan blade assembly (2) and loosely install the three set screws provided with fan. Snug set screws but do not tighten at this time.
2. Slide fan assembly onto input shaft and install input shaft key. Note: Key is supplied with the TALL reducer. Locate fan blade edge distance "A" (Figure 1) from end of shaft per Table 1. Make sure fan assembly rotates without interference when input shaft is rotated.
3. Alternately tighten the set screws until fan assembly is securely installed on the input shaft.
4. Recheck fan assembly for proper location and clearance. Loosen set screws and repeat steps 2 and 3 above if not properly located.

Installation for TA6307CF through TA12608CF:

1. Referring to Figure 2, install fan guard back plate assembly (1) using the four bolts (4) provided. Note that the screen is mounted towards the reducer. Tighten to recommended torque in Table 1.

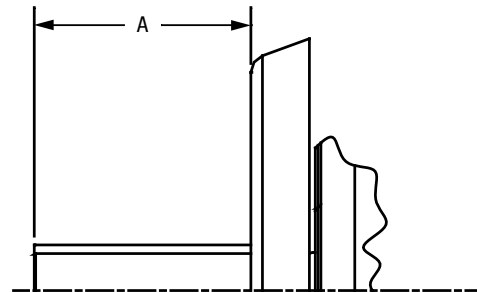
CAUTION: Fan guard screen has sharp edges. Use caution when installing to avoid lacerations.

WARNING: Because of the possible danger to persons(s) or property from accidents which may result from the improper use of products, it is important that correct procedures be followed: Products must be used in accordance with the engineering information specified in the catalog. Proper installation, maintenance and operation procedures must be observed. The instructions in the instruction manuals must be followed. Inspections should be made as necessary to assure safe operation under prevailing conditions. Proper guards and other suitable safety devices or procedures as may be desirable or as may be specified in safety codes should be provided, and are neither provided by Baldor Electric Company nor are the responsibility of Baldor Electric Company. This unit and its associated equipment must be installed, adjusted and maintained by qualified personnel who are familiar with the construction and operation of all equipment in the system and the potential hazards involved. When risk to persons or property may be involved, a holding device must be an integral part of the driven equipment beyond the speed reducer output shaft.

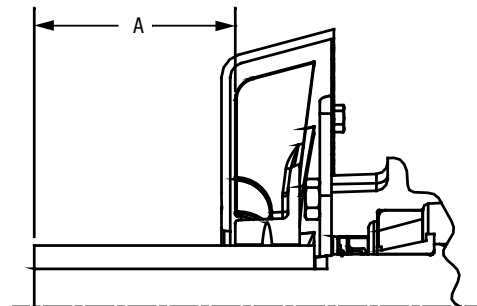
2. Slide fan blade assembly (2) onto input shaft and install key and set screws (5). Note: Key is supplied with the Tall reducer. Position fan blade edge distance "A" (Figure 1) from end of shaft per Table 1. Make sure fan assembly rotates without interference when input shaft is rotated. Tighten the two fan blade set screws (5) securely.
3. Install fan guard cover (3) with four bolts (6), lockwashers (7), and hex nuts (8). Tighten securely.
4. Verify fan blade rotates freely and does not interfere with fan guard back plate (1) or fan guard cover (3). Adjust fan blade if necessary.

Table 1 - Dimensions and Bolt Torque

Reducer Size	Dim. "A" mm	Torque (Ft.-Lbs.)
TA4207H	3-3/4	----
TA5215H	4-5/8	----
TA6307H	4-1/4	33-30
TA7315H	4-3/8	33-30
TA8407H	5-1/16	33-30
TA9415H	6-1/4	33-30
TA10507H	6-7/16	33-30
TA12608H	6-7/16	33-30

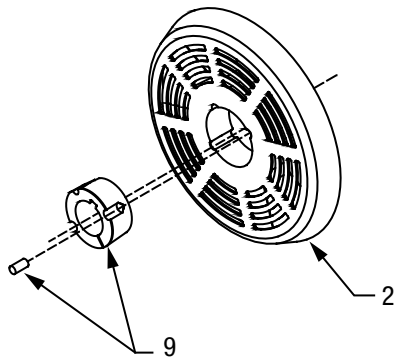


TYPICAL FOR REDUCER SIZES 4 AND 5

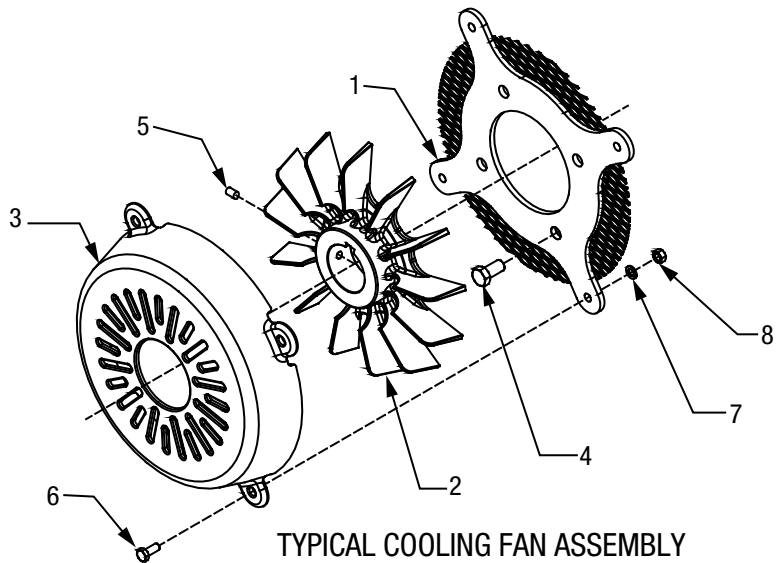


TYPICAL FOR REDUCER SIZES 6 THRU 12

Figure 1 - Fan Blade Placement



TYPICAL COOLING FAN ASSEMBLY
FOR REDUCER SIZES 4 AND 5



TYPICAL COOLING FAN ASSEMBLY
FOR REDUCER SIZES 6 THROUGH 12

Figure 2 - Parts Identification

Table 2 - Cooling Fan Part Numbers

Description	Reference Number	Quantity	TA4207	TA5215	TA6307	TA7315	TA8407	TA9415	TA10507	TA12608
Cooling Fan Assembly ①	----	1	904106	905106	906106	907106	907106	909106	910106	912106
Fan Guard Plate Assembly	1	1	----	----	906519	906519	906519	909519	909519	912519
Fan Blade	2	1	904517	905517	906517	907517	907517	909517	910517	910517
Fan Guard Cover	3	1	----	----	906521	906521	906521	909521	909521	909521
Mounting Bolt	4	4	----	----	411294	411294	411294	411294	411294	411294
Fan Set Screw	5	2	----	----	400086	400086	400086	400086	400086	400086
Cover Bolt	6	4	----	----	411390	411390	411390	411390	411390	411390
Lockwasher	7	4	----	----	419010	419010	419010	419010	419010	419010
Hex Nut	8	4	----	----	407085	407085	407085	407085	407085	407085
Taper Bushing Assembly ②	9	1	117162	117092	----	----	----	----	----	----

① Assembly includes parts listed below

② Set Screws are included with taper bushing assembly

BALDOR
A MEMBER OF THE ABB GROUP

P.O. Box 2400, Fort Smith, AR 72902-2400 U.S.A., Ph: (1) 479.646.4711, Fax (1) 479.648.5792, International Fax (1) 479.648.5895

Dodge Product Support

6040 Ponders Court, Greenville, SC 29615-4617 U.S.A., Ph: (1) 864.297.4800, Fax: (1) 864.281.2433

www.baldor.com

© Baldor Electric Company
MN1644 (Replaces 499386)



All Rights Reserved. Printed in USA.
6/12 TCP 10,000