

Dodge® Motorized Torque-Arm II™ Vertical (Position D) Breather Kit (Part Number 472300) Installation and Instruction Manual

MTA2 - MTA3 MTA4-MTA8

These instructions must be read thoroughly before installation or operation. This instruction manual was accurate at the time of printing. Please see www.dodge-pt.com for updated instruction manuals.

WARNING: To ensure the drive is not unexpectedly started, turn off and lock-out or tag power source before proceeding. Failure to observe these precautions could result in bodily injury.

WARNING: All products over 25 kg (55 lbs) are noted on the shipping package. Proper lifting practices are required for these products.

NOTE: This kit should only be used when mounting a Motorized Torque-Arm vertically in position D.

1. Assemble vertical breather kit as shown in Figure 1 (MTA2 – MTA3) or Figure 2 (MTA4 – MTA8).

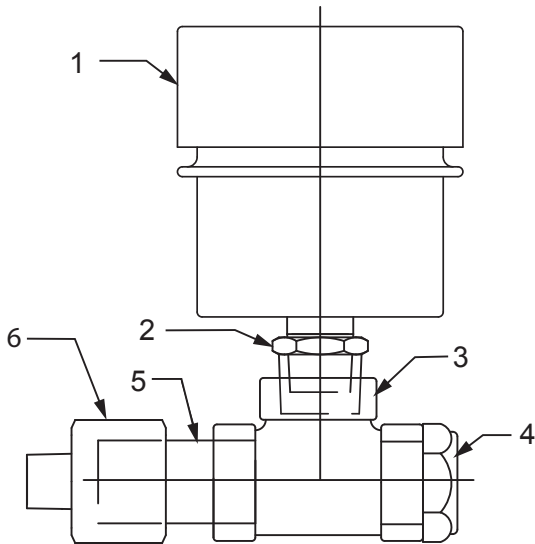


Figure 1-Vertical Breather Kit (MTA2 – MTA3)

WARNING: Because of the possible danger to person(s) or property from accidents which may result from the improper use of products, it is important that correct procedures be followed. Products must be used in accordance with the engineering information specified in the catalog. Proper installation, maintenance and operation procedures must be observed. The instructions in the instruction manuals must be followed. Inspections should be made as necessary to assure safe operation under prevailing conditions. Proper guards and other suitable safety devices or procedures as may be desirable or as may be specified in safety codes should be provided, and are neither provided by Baldor Electric Company nor are the responsibility of Baldor Electric Company. This unit and its associated equipment must be installed, adjusted and maintained by qualified personnel who are familiar with the construction and operation of all equipment in the system and the potential hazards involved. When risk to persons or property may be involved, a holding device must be an integral part of the driven equipment beyond the speed reducer output shaft.

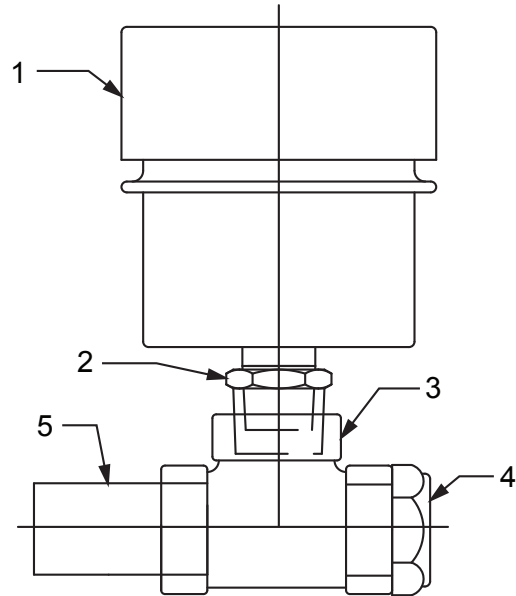


Figure 2-Vertical Breather Kit (MTA4 – MTA8)

2. Replace top oil plug on reducer with assembled vertical breather kit.
3. Remove standard breather from reducer (if installed) and replace with solid oil plug.

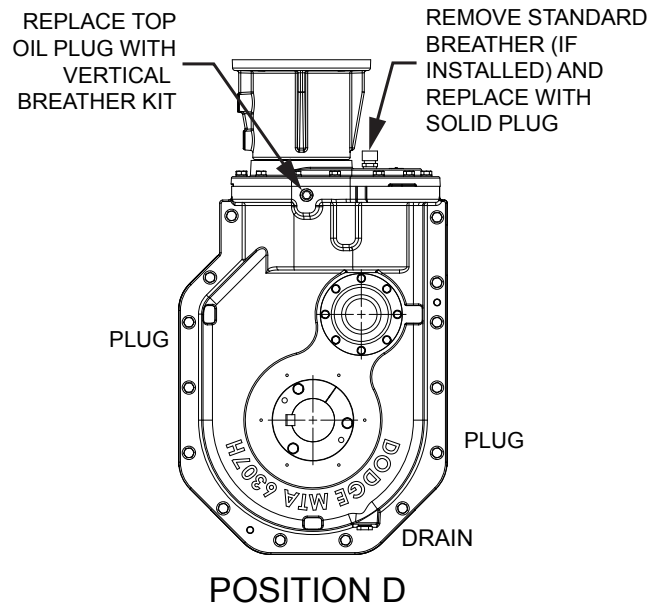


Figure 3-Installing Vertical Breather Kit

Table 1 - Parts for Vertical Breather Kit

Ref. Number ①	Part Descriptions	Part Number	Quantity	
			MTA2-3	MTA4-8
	Vertical (Position D) Breather Kit	472300	–	–
② 1	Expansion Chamber	240053	1	1
② 2	3/4 x 1/2 Hex Bushing	430079	1	1
② 3	3/4 Pipe Tee	03472005AA	1	1
② 4	Oil Sight Gauge	430159	1	1
② 5	3/4 x 2-1/4 Pipe Nipple	034530018EA	1	1
② 6 ③	3/4 M x 3/8 F Adapter	965206	1	–

- ① Refer to Figure 1 or Figure 2
- ② Makes up assembly under which it is listed
- ③ This part is used only on MTA 2 – MTA 3



P.O. Box 2400, Fort Smith, AR 72902-2400 U.S.A., Ph: (1) 479.646.4711, Fax (1) 479.648.5792, International Fax (1) 479.648.5895

Dodge Product Support

6040 Ponders Court, Greenville, SC 29615-4617 U.S.A., Ph: (1) 864.297.4800, Fax: (1) 864.281.2433

www.baldor.com

