

Flange Instructions

These instructions must be read thoroughly before installation or operation. This instruction manual was accurate at the time of printing. Please see baldor.com for updated instruction manuals.

Note! The manufacturer of these products, Baldor Electric Company, became ABB Motors and Mechanical Inc. on March 1, 2018. Nameplates, Declaration of Conformity and other collateral material may contain the company name of Baldor Electric Company and the brand names of Baldor-Dodge and Baldor-Reliance until such time as all materials have been updated to reflect our new corporate identity.

WARNING: To ensure the drive is not unexpectedly started, turn off and lock-out or tag power source before proceeding. Failure to observe these precautions could result in bodily injury.

WARNING: All products over 25 kg (55 lbs) are noted on the shipping package. Proper lifting practices are required for these products.

WARNING: Because of the possible danger to person(s) or property from accidents which may result from the improper use of products, it is important that correct procedures be followed. Products must be used in accordance with the engineering information specified in the catalog. Proper installation, maintenance and operation procedures must be observed. The instructions in the instruction manuals must be followed. Inspections should be made as necessary to assure safe operation under prevailing conditions. Proper guards and other suitable safety devices or procedures as may be desirable or as may be specified in safety codes should be provided, and are neither provided by ABB nor are the responsibility of ABB. This unit and its associated equipment must be installed, adjusted and maintained by qualified personnel who are familiar with the construction and operation of all equipment in the system and the potential hazards involved. When risk to persons or property may be involved, a holding device must be an integral part of the driven equipment beyond the speed reducer output shaft.

Important Information Regarding the Use of the Fasteners in this Bag

The flange included in this kit can be mounted on either side of the reducer. If the flange is mounted on the side of the reducer shown in the diagram, the side without the bearing cover, only use the fasteners included in this bag to mount the flange.

When installing the flange, follow the installation and tightening instructions shown in the Accessory Kit Installation Instructions Tigear-2 document that is also included with the flange kit.

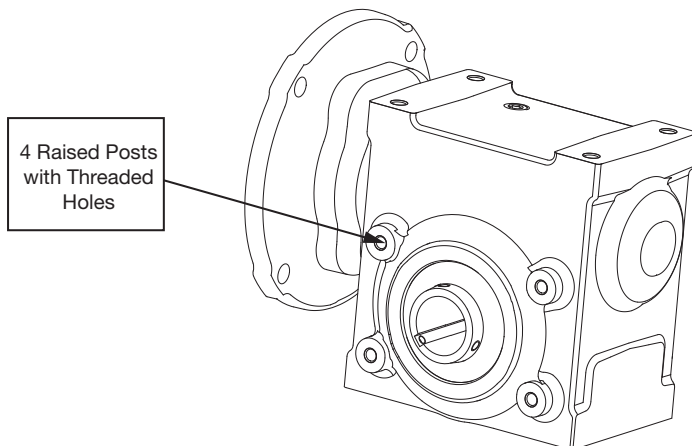


ABB Motors and Mechanical Inc.

5711 R. S. Boreham Jr. Street
Fort Smith, AR 72901
Ph: 1.479.646.4711

Mechanical Power Transmission Support
Ph: 1.864.297.4800

new.abb.com/mechanical-power-transmission
baldor.com

© ABB Motors and Mechanical Inc.
MN16001



All Rights Reserved. Printed in USA.
10/20 PRINTSHOP 1000