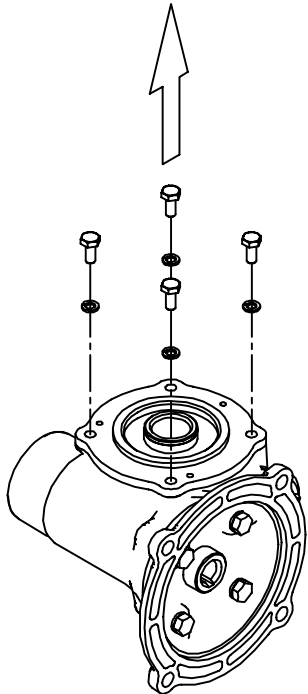
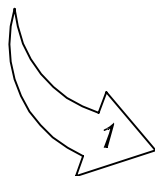
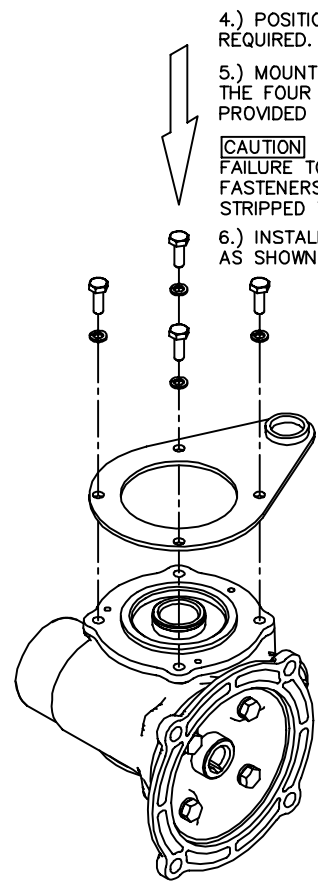
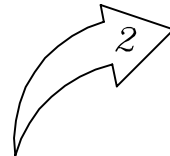


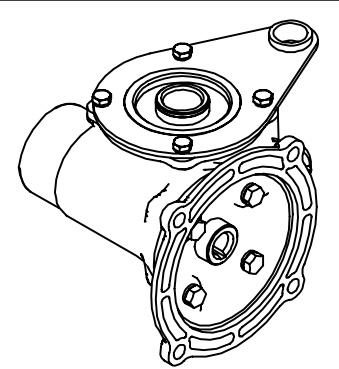
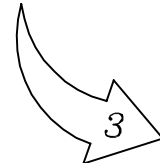
H-BOX



1.) LAY UNIT WITH INSTALLATION SIDE FACING UP.  
**CAUTION**  
 FAILURE TO DO SO WILL RESULT IN LUBRICANT LOSS.  
 2.) REMOVE FOUR EXISTING BOLTS AND LOCK WASHERS AND DISCARD.  
 3.) DO NOT REMOVE BEARING SUPPORT.  
**CAUTION**  
 REMOVAL OF BEARING SUPPORT MAY RESULT IN LUBRICANT LOSS.



4.) POSITION TORQUE ARM AS REQUIRED.  
 5.) MOUNT TORQUE ARM WITH THE FOUR BOLTS AND WASHERS PROVIDED IN THE KIT.  
**CAUTION**  
 FAILURE TO USE PROVIDED FASTENERS MAY RESULT IN STRIPPED THREADS.  
 6.) INSTALL BOLTS AND WASHERS AS SHOWN BELOW.



7.) UNIFORMLY TIGHTEN FOUR TORQUE ARM BOLTS AS LISTED BELOW.  
 LUBRICATED: 41inlb MAXIMUM.  
 UNLUBRICATED: 72inlb MAXIMUM.  
**CAUTION**  
 OVERTIGHTENING OF THE BOLTS MAY RESULT IN STRIPPED THREADS.

REV. DESC: NEW		VERSION: 00		TDR: 000000396810	
REV. LTR: -		FILE: \CKA\00029\947		REVISED: 12: 43: 52 11/14/2006	
51A9900L7		MTL: -		BY: CKBRISO	

**BALDOR ELECTRIC Co.**

H-BOX TORQUE ARM, ASSEMBLY INSTRUCTIONS