

# Cooling Tower Motors

## Cast Iron, TEAO



Protection against environmental factors is key to reliability and increased total cost of ownership in the cooling tower industry. Baldor•Reliance® cooling tower motors offer a complete package in a totally enclosed design with additional sealing to minimize moisture entry points. A robust cast iron frame and corrosion resistant hardware stand up to the harshest environments.

### Applications:

For use in the airstream on chillers and cooling towers. Designed for wet, high humidity environments.

### Features:

- Direct Replacement for most OEM's
- Integral Horsepower Rule Exempt

### Electrical Features:

- Class F insulation
- 1.15 Service Factor
- Moisture resistant copper windings
- 5-60 HP NEMA Premium® ratings available

### Mechanical Features:

- Stainless Steel hardware and nameplate
- Corrosion resistant finish
- Double sealed bearings
- Moisture resistant grease
- Seals
  - Lip Seal
  - V-ring Slinger
  - Dome Slinger

**TEAO Enclosure:**

TEAO enclosure eliminates the external fan and the need for a motor opening in the opposite drive end. Motors use the application to their advantage by utilizing the ventilation in the application.

**Conduit Box Lid Gasket:**

The gasket serves as a moisture barrier for the conduit box. It blocks moisture from entering, and it ensures a tight seal every time the conduit box is closed.

**Lead Separator Gasket:**

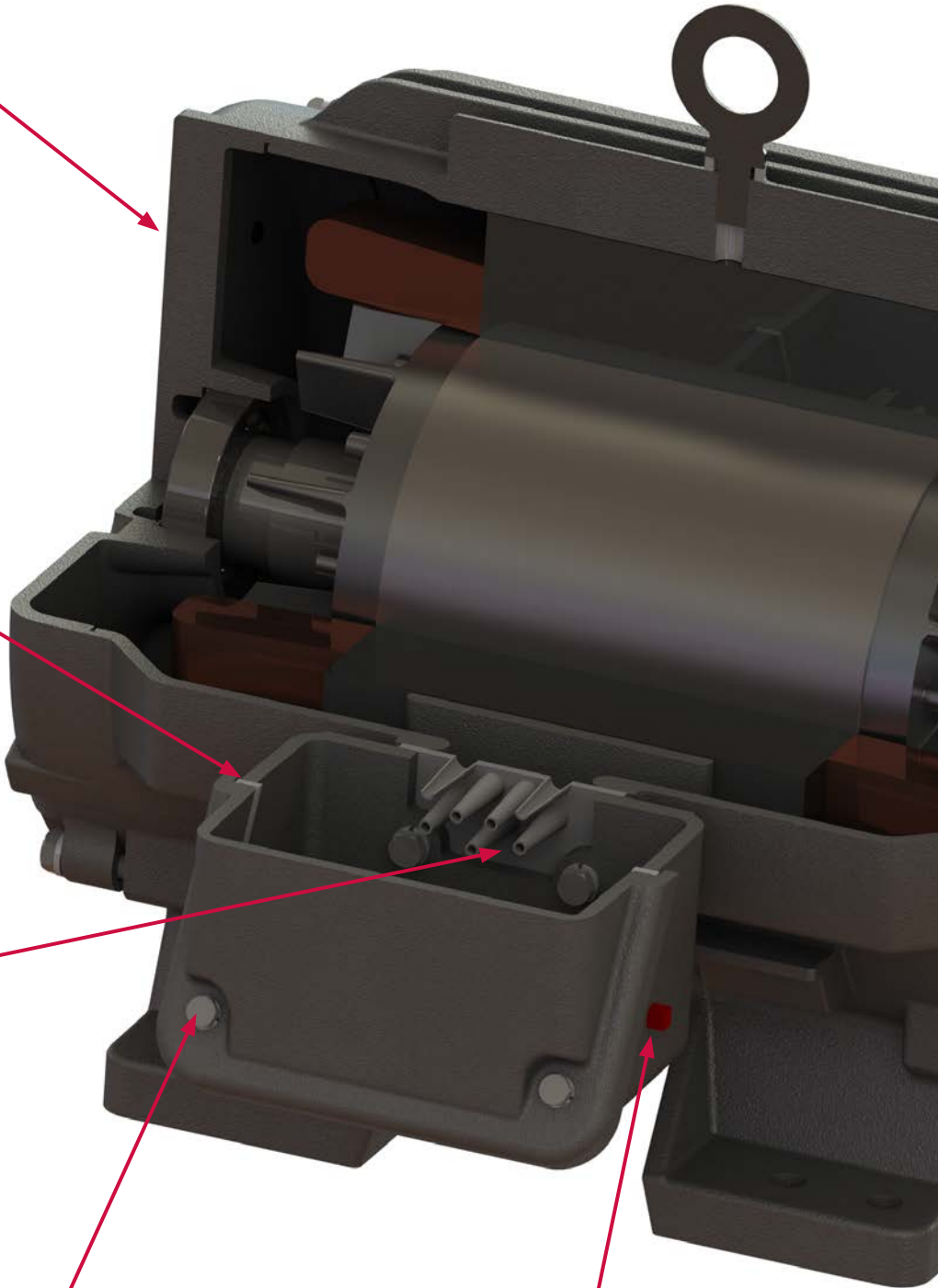
The lead separator gasket serves as two main functions. It prevents moisture from entering the stator via the conduit box and secondly it separates and protects the leads.

**Stainless Steel Hardware:**

Stainless steel hardware is essential for humid or wet environments.

**Conduit Box Plugs:**

Threaded plugs at each end of the conduit box makes the removal of moisture simple.



**Cast Iron Construction:**

Cast Iron construction with an epoxy paint finish gives the motor a robust advantage over the corrosive environment.

**Vertical Lifting Provisions:**

In addition to the eyebolt, the motors come equipped for vertical lifting. A tapped drive end shaft and opposite drive end endplate allow the motor to be lifted vertically. The eyebolt can be easily installed for any desirable lifting configuration.

**Face Drains On Each End:**

For Vertical shaft up or down applications. Two face drains at each end prevent moisture from building up inside the motor. T-Drains are strategically placed to allow efficient drainage in the motor.

A triple layer barrier system consisting of a lip contact seal, v-ring slinger and dome slinger provide protection against the ingress of water when the motor is mounted in any position.

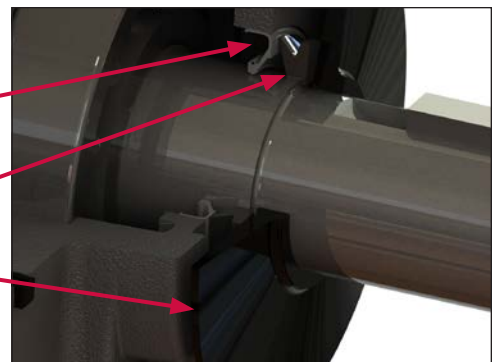
**Horizontal Drains On Each End:**

T-drains conveniently located at each end of the motor allow for condensation to escape.

**Lip Contact Seal**

**V-Ring Slinger**

**Dome Slinger**



**Cooling Tower Motor  
Totally Enclosed Air Over  
Cast Iron, Three Phase**

HP	RPM	NEMA Frame	Catalog Number	List	Multi. Sym.	"C" Dim	Aprx Wt. (lb)	Full Load Eff.	Voltage	Full Load Amps	Airflow Ft/Min
<b>Standard Efficient</b>											
5	1800	184T	CTM3665T	1095	L1	13.68	105	87.5	208-230/460	6.9	1200
	1200	215T	CTM3768T	1660	L1	19.54	211	87.5	208-230/460	7.5	1200
7.5	1800	213T	CTM3770T	1458	L1	19.54	164	89.5	208-230/460	10.3	1500
	1200	254T	CTM2276T	2025	L1	22.16	229	89.5	208-230/460	10.9	1500
10	1800	215T	CTM3774T	1861	L1	19.54	169	89.5	208-230/460	13	1500
	1200	256T	CTM2332T	2254	L1	23.00	290	89.5	230/460	14.4	1500
15	1800	254T	CTM2333T	2472	L1	22.16	236	91.0	208-230/460	18.5	1500
20	1800	256T	CTM2334T	2756	L1	23.91	245	91.0	230/460	25	1500
25	1800	284T	CTM4103T	3341	L1	25.78	315	92.4	230/460	29	1500
30	1800	286T	CTM4104T	4010	L1	25.78	322	92.4	230/460	36	1500
40	1800	324T	CTM4110T	5334	L1	28.38	554	93.0	230/460	47	2000
<b>Premium Efficient</b>											
5	1800	184T	ECTM3665T	1239	L1	13.68	119	89.5	208-230/460	6.6	1200
	1200	215T	ECTM3768T	1968	L1	19.54	226	90.2	230/460	7.3	1200
7.5	1800	213T	ECTM3770T	1653	L1	19.54	170	91.7	208-230/460	9.5	1500
	1200	254T	ECTM2276T	2802	L1	23.00	302	91.0	230/460	11	1500
10	1800	213T	ECTM3774T	2218	L1	19.54	231	91.7	208-230/460	12.2	1500
	1200	256T	ECTM2332T	3201	L1	23.00	322	91.0	230/460	14.4	1500
15	1800	254T	ECTM2333T	2944	L1	23.00	268	92.4	230/460	18.1	1500
	1200	284T	ECTM4100T	4268	L1	25.63	382	91.7	230/460	20	1500
20	1800	256T	ECTM2334T	3284	L1	23.00	303	93.0	230/460	24	1500
25	1800	284T	ECTM4103T	4042	L1	25.63	420	93.6	230/460	30	1500
30	1800	286T	ECTM4104T	4797	L1	25.63	437	93.6	230/460	38	1500
40	1800	324T	ECTM4110T	6273	L1	28.38	578	94.1	230/460	48	1500
50	1800	326T	ECTM4115T	7500	L1	28.38	700	94.5	230/460	58	2000
60	1800	364T	ECTM4314T	9863	L1	29.70	835	95.0	230/460	68	2000



P.O. Box 2400, Fort Smith, AR 72902-2400 U.S.A., Ph: (1) 479.646.4711, Fax (1) 479.648.5792, International Fax (1) 479.648.5895

**Baldor - Dodge**  
6040 Ponders Court, Greenville, SC 29615-4617 U.S.A., Ph: (1) 864.297.4800, Fax: (1) 864.281.2433

[www.baldor.com](http://www.baldor.com)