

PARA-FLEX

PT COMPONENTS

Baldor•Dodge Para-Flex Couplings

Para-Flex QD Bushed Flanges

With over 50 years of history and development, the Baldor•Dodge Para-Flex has experience providing reliable solutions in a wide range of industries and applications. With the addition of Para-Flex QD bushed flanges, Baldor•Dodge offers customers the highest number of shaft attachment methods in the market.

Offering a greater bore capacity than competitors, Para-Flex QD flanges allow customers to save money by downsizing their coupling selections. QD bushings allow for easy installation and removal with minimal shaft damage, reducing maintenance time and costs. Para-Flex QD flanges are also available in the largest range of sizes in the market, allowing customers to realize the benefits of this “Problem Solver” coupling in the widest range of applications.



Baldor•Dodge Para-Flex Elements

Superior Design Provides Advantages over other Rubber or Polyurethane Elements

Baldor•Dodge Para-Flex elements are manufactured with reinforcing fabric tension cords that transmit much of the torque during operation and offer a wear indicator to the user when the element should be changed out. Uniform and centered beads in the foot of the tire element prevent it from pulling out during operation. Additionally, the tire element is reinforced at the split to reduce fatigue and extend life.

Industry Leading Misalignment Capabilities

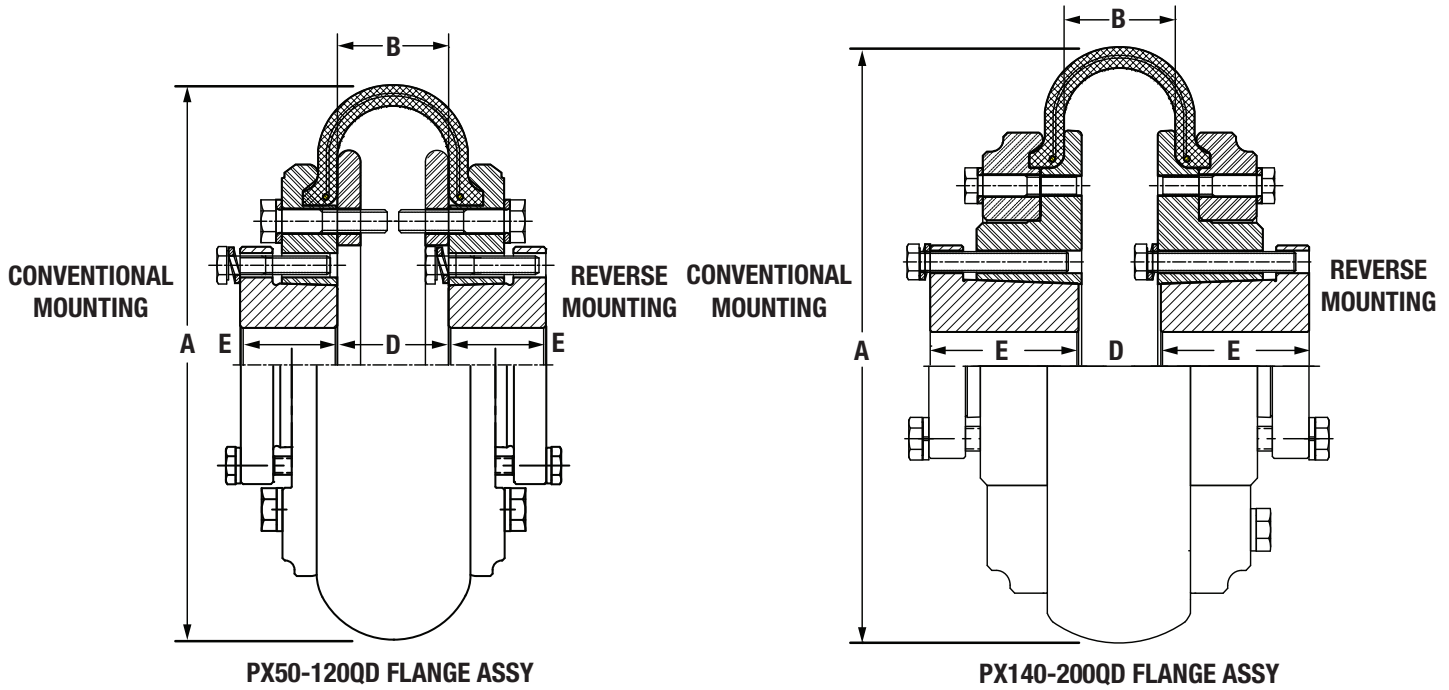
Baldor•Dodge Para-Flex elements provide accommodation of shaft misalignment during installation, operation, and replacement better than other elastomeric elements. With an industry-leading combined 4° angular, 1/8” (3.17 mm) parallel, and 5/16” (7.93 mm) end-float capability, Para-Flex couplings will perform in difficult applications and reduce valuable time needed for installation and maintenance.



Baldor•Dodge Para-Flex couplings carry an industry-leading 5-Year Limited Warranty.

Torsionally Soft Rubber Protects Connected Equipment

The flexible design of the Baldor•Dodge Para-Flex element is crucial in preventing damage to connected equipment in harsh-running environments. The torsional softness is instrumental in damping vibrations and absorbing shock loads to the system.



Dimensions

Coupling Size	Bushing Size	Max Bore (In.)			HP/100	Torque Rating (In-Lbs)	Max RPM	Style	Dimensions (In.)				Weight ⁽¹⁾ (Lbs.)	Inertia ⁽²⁾ (Lb-Ft)
		Full KW	Shallow KW	No KW					A	B	D	E		
PX50QD	JA	1	1-3/16	1-1/4	1.43	900	4500	1	5 1/4	3 7/8	1	1 17/32	4.7	0.08
PX60QD	SH	1-3/8	1-5/8	1-11/16	2.86	1800	4000	1	6 1/2	4 23/32	1 1/4	1 25/32	8.0	0.24
PX70QD	SDS	1-5/8	1-15/16	2	3.49	2200	3600	1	7 3/8	4 17/32	1 5/16	1 1/2	10.7	0.45
PX80QD	SK	2-1/8	2-1/2	2-5/8	5.72	3600	3100	1	8 3/8	5 13/16	3 7/8	1 1/2	15.5	0.88
PX90QD	SK	2-1/8	2-1/2	2-5/8	7.15	4350	2800	1	9 1/4	5 7/8	3 7/8	1 9/16	22.0	1.60
PX100QD	SF	2-5/16	2-15/16	–	8.58	5250	2600	1	10	6 1/8	4 5/8	1 15/32	32.0	2.90
PX110QD	SF	2-5/16	2-15/16	–	12.3	7750	2300	1	11	5 7/8	4 5/8	1 3/16	46.0	4.30
PX120QD	E	2-7/8	3-1/2	–	20	12540	2100	1	12 3/8	7 1/4	6	1 1/4	59.8	6.70
PX140QD	F	3-1/4	3-15/16	4	44	27590	1840	2	14 1/8	9 1/2	6 5/8	1 3/8	132.5	19.50
PX160QD	J	3-3/4	4-1/2	–	60	37800	1560	2	16 5/8	11 1/2	7 1/4	1 3/8	208.7	34.60
PX200QD	J	3-3/4	4-1/2	–	131	82500	1300	2	20	11 3/4	7 1/4	1 13/16	366.0	103.00

Notes:

⁽¹⁾ Weight of complete coupling with bushings.

⁽²⁾ Inertia of complete coupling with bushing.

Para-Flex QD Part Numbers

Size	PXQD Flanges		Elements		
	Description	Part No.	Standard	Neoprene ⁽¹⁾	Cordless ⁽²⁾
PX50	PX50QD FLANGE ASSEMBLY	013210	011105	011296	011285
PX60	PX60QD FLANGE ASSEMBLY	013211	011106	011297	011286
PX70	PX70QD FLANGE ASSEMBLY	013212	011107	011298	011287
PX80	PX80QD FLANGE ASSEMBLY	013213	011108	011299	011288
PX90	PX90QD FLANGE ASSEMBLY	013214	011109	011300	011289
PX100	PX100QD FLANGE ASSEMBLY	013215	011110	011301	011290
PX110	PX110QD FLANGE ASSEMBLY	013216	011111	011302	–
PX120	PX120QD FLANGE ASSEMBLY	013217	011112	011303	011292
PX140	PX140QD FLANGE ASSEMBLY	013218	011114	011304	–
PX160	PX160QD FLANGE ASSEMBLY	013219	011117	011305	–
PX200	PX200QD FLANGE ASSEMBLY	013220	011120	011306	–

Complete Para-Flex QD coupling consists of one element, two flanges, and two QD bushings (see next page).

Notes:

⁽¹⁾ Neoprene element ratings are the same as the standard natural rubber element ratings. (Green sticker or painted mark)

⁽²⁾ Cordless elements have an average static torsional stiffness 25% of the standard element and approximately 25% of the torque rating. (White sticker or painted mark)

QD Bushings – Stock Bore

QD Bush Size	Bore	P/N	WT.	Key Size REF	
JA	1/2"	120332	0.46	1/8 x 1/8	
	9/16"	120333	0.46		
	5/8"	120334	0.45	3/16 x 3/16	
	11/16"	120335	0.43		
	3/4"	120336	0.41		
	13/16"	120337	0.40		
	7/8"	120338	0.37		
	15/16"	120339	0.35	1/4 x 1/4	
	1"	120340	0.33		
	1-1/16"	120341	0.34	1/4 x 3/16 *	
1-1/8"	120342	0.31			
1-3/16"	120343	0.29			
1-1/4"	120344	0.25			
SH	1/2"	120345	1.16	1/8 x 1/8	
	9/16"	120346	1.14		
	5/8"	120347	1.14	3/16 x 3/16	
	11/16"	120348	1.14		
	3/4"	120349	1.10		
	13/16"	120350	1.07		
	7/8"	120351	1.04		
	15/16"	120352	1.00	1/4 x 1/4	
	1"	120353	0.98		
	1-1/16"	120354	0.94	5/16 x 5/16	
	1-1/8"	120355	0.91		
	1-3/16"	120356	0.88		
	1-1/4"	120357	0.84	3/8 x 1/4 *	
	1-5/8"	120363	0.64		
	1-11/16"	120580	0.55		
	SDS	1/2"	120388	1.65	1/8 x 1/8
		9/16"	120389	1.65	
		5/8"	120390	1.61	3/16 x 3/16
		11/16"	120391	1.60	
		3/4"	120392	1.58	
13/16"		120393	1.54		
7/8"		120394	1.54		
15/16"		120395	1.50	1/4 x 1/4	
1"		120396	1.46		
1-1/16"		120397	1.43	5/16 x 5/16	
1-1/8"		120398	1.38		
1-3/16"		120399	1.36		
1-1/4"		120400	1.32	3/8 x 3/8	
1-5/8"		120406	1.08		
1-11/16"		120407	1.08	3/8 x 5/16 *	
1-3/4"		120408	1.02		
1-13/16"		120409	0.98	1/2 x 5/16 *	
1-7/8"		120410	0.92		
1-7/8"		120411	0.87		
2"		120412	0.77		
1/2"	120413	3.77	1/8 x 1/8		
9/16"	120414	3.74			
5/8"	120415	3.72	3/16 x 3/16		
11/16"	120416	3.70			
3/4"	120417	3.61			
13/16"	120418	3.53			
7/8"	120419	3.58			
15/16"	120420	3.52	1/4 x 1/4		
1"	120421	3.45			
1-1/16"	120422	3.41	5/16 x 5/16		
1-1/8"	120423	3.37			
1-3/16"	120424	3.31			
1-1/4"	120425	3.31	3/8 x 3/8		
1-5/16"	120426	3.18			
1-3/8"	120427	3.12	1/4 x 1/4		
1-7/16"	120428	3.08			
1-1/2"	120429	3.00	3/8 x 3/8		
1-9/16"	120430	2.95			
1-5/8"	120431	2.86			
1-11/16"	120432	2.79			
1-3/4"	120433	2.88			
1-13/16"	120434	2.62	1/2 x 1/2		
1-7/8"	120435	2.50			
1-15/16"	120436	2.42	5/8 x 5/8		
2"	120437	2.32			
2-1/16"	120438	2.26			
2-1/8"	120439	2.17			

QD Bush Size	Bore	P/N	WT.	Key Size REF	
SK (cont.)	2-3/16"	120440	2.21	1/2 x 7/16 *	
	2-1/4"	120441	2.09		
	2-5/16"	120442	2.00	5/8 x 3/8 *	
	2-3/8"	120443	1.91		
	2-7/16"	120444	1.81		
	2-1/2"	120445	1.72		
	2-5/8"	120447	1.32		
	SF	1/2"	120448	5.27	1/8 x 1/8
		9/16"	120449	5.27	
		5/8"	120450	5.22	3/16 x 3/16
11/16"		120451	5.20		
3/4"		120452	5.17		
13/16"		120453	5.32		
7/8"		120454	5.08		
15/16"		120455	5.05	1/4 x 1/4	
1"		120456	5.00		
1-1/16"		120457	4.95	5/16 x 5/16	
1-1/8"		120458	4.90		
1-3/16"		120459	4.83		
1-1/4"		120460	4.77	3/8 x 3/8	
1-5/16"		120461	4.71		
1-3/8"		120462	4.61	1/2 x 1/2	
1-7/16"		120463	4.57		
1-1/2"		120464	4.48		
1-9/16"		120465	4.42		
1-5/8"		120466	4.32		
1-11/16"		120467	4.31	5/8 x 5/8	
1-3/4"	120468	4.16			
1-13/16"	120469	4.06	3/4 x 7/16 *		
1-7/8"	120470	4.00			
1-15/16"	120471	3.87			
2"	120472	3.78			
2-1/16"	120473	3.70			
2-1/8"	120474	3.57	3/4 x 13/32 *		
2-3/16"	120475	3.45			
2-1/4"	120476	3.38	3/16 x 3/16		
2-5/16"	120477	3.32			
2-3/8"	120478	3.39	5/8 x 1/2 *		
2-7/16"	120479	3.26			
2-1/2"	120592	3.16	5/8 x 3/8 *		
2-5/8"	120482	2.91			
2-11/16"	120483	2.80	3/4 x 7/16 *		
2-3/4"	120484	2.59			
2-13/16"	120485	2.50	3/4 x 13/32 *		
2-7/8"	120486	2.35			
2-15/16"	120487	2.22	3/16 x 3/16		
7/8"	120488	11.80			
1"	120490	11.65	1/4 x 1/4		
1-1/8"	120492	11.46			
1-3/16"	120493	11.40	5/16 x 5/16		
1-1/4"	120494	11.33			
1-5/16"	120495	11.26	3/8 x 3/8		
1-3/8"	120496	11.20			
1-7/16"	120497	11.13	5/8 x 5/8		
1-1/2"	120498	10.86			
1-9/16"	120499	10.82			
1-5/8"	120500	10.69			
1-11/16"	120501	10.56			
1-3/4"	120502	10.46	1/2 x 1/2		
1-13/16"	120503	10.16			
1-7/8"	120504	10.16	3/8 x 3/4		
1-15/16"	120505	10.16			
2"	120506	10.01			
2-1/16"	120507	9.85			
2-1/8"	120508	9.73			
2-3/16"	120509	9.42	3/4 x 1/2 *		
2-1/4"	120510	9.42			
2-5/16"	120511	9.07	7/8 x 9/16 *		
2-3/8"	120512	8.95			
2-7/16"	120513	8.77	7/8 x 1/2 *		
2-1/2"	120514	8.72			
2-5/8"	120516	8.37			
2-11/16"	120517	8.05			
2-3/4"	120518	7.90			
2-13/16"	120519	7.70			
2-7/8"	120520	7.32			
2-15/16"	120521	7.53			
3"	120522	7.31			
3-1/8"	120524	6.90			
3-3/16"	120525	6.69			
3-1/4"	120526	6.48			
3-5/16"	120527	6.10			
3-3/8"	120528	6.21			
3-7/16"	120529	5.86			
3-1/2"	120530	5.73			

QD Bush Size	Bore	P/N	WT.	Key Size REF
F	1"	120531	19.41	1/4 x 1/4
	1-1/8"	120533	19.15	
	1-3/16"	120534	18.00	
	1-1/4"	120535	18.99	5/16 x 5/16
	1-3/8"	120537	18.68	
	1-7/16"	120538	18.56	3/8 x 3/8
	1-1/2"	120539	18.48	
	1-9/16"	120540	18.40	
	1-5/8"	120541	18.15	
	1-11/16"	120542	17.91	
	1-3/4"	120543	16.77	1/2 x 1/2
	1-13/16"	120544	17.62	
	1-7/8"	120545	16.41	5/8 x 5/8
	1-15/16"	120546	16.00	
	2"	120547	16.00	
	2-1/16"	120548	16.00	
	2-1/8"	120549	15.95	
	2-3/16"	120550	15.95	3/4 x 3/4
	2-1/4"	120551	15.95	
	2-5/16"	120552	15.95	7/8 x 5/8 *
2-3/8"	120553	15.50		
2-7/16"	120554	15.50		
2-1/2"	120555	15.37		
2-5/8"	120557	14.86		
2-11/16"	120558	14.50	1 x 5/8 *	
2-3/4"	120559	14.37		
2-13/16"	120560	14.00	3/8 x 3/8	
2-7/8"	120561	14.02		
2-15/16"	120562	13.47		
3"	120563	13.20		
3-1/8"	120565	12.67		
3-3/16"	120566	12.50	1/2 x 1/2	
3-1/4"	120567	12.00		
3-3/8"	120569	12.00	5/8 x 5/8	
3-7/16"	120570	11.88		
3-1/2"	120571	11.40		
3-5/8"	120573	10.53		
3-11/16"	120574	14.00		
3-3/4"	120575	9.89	3/4 x 3/4	
3-7/8"	120577	9.26		
3-15/16"	120578	9.23	7/8 x 7/8	
4"	120579	7.96		
1-1/2"	120600	28.97	3/8 x 3/8	
1-5/8"	120601	28.61		
1-3/4"	120603	28.28	1/2 x 1/2	
1-7/8"	120604	27.79		
1-15/16"	120605	27.53		
2"	120606	27.33		
2-1/8"	120607	26.74		
2-3/16"	120608	26.37	5/8 x 5/8	
2-1/4"	120609	26.32		
2-3/8"	120610	25.65	3/4 x 3/4	
2-7/16"	120611	25.52		
2-1/2"	120612	25.05		
2-5/8"	120613	24.50		
2-11/16"	120614	24.18		
2-3/4"	120615	23.86	7/8 x 7/8	
2-7/8"	120617	23.15		
2-15/16"	120618	23.07	1 x 5/8 *	
3"	120619	22.43		
3-1/8"	120620	21.68		
3-3/16"	120621	21.35		
3-1/4"	120622	20.98		
3-3/8"	120623	20.33	3/8 x 3/8	
3-7/16"	120624	21.13		
3-1/2"	120625	19.58	1/2 x 1/2	
3-5/8"	120626	18.44		
3-11/16"	120627	18.04		
3-3/4"	120628	17.62		
3-7/8"	120629	17.94		
3-15/16"	120630	17.38	3/4 x 1/2 *	
4"	120631	16.62		
4-1/8"	120632	15.69	7/8 x 1/2 *	
4-3/16"	120633	14.55		
4-1/4"	120634	14.68		
4-3/8"	120635	14.00		
4-7/16"	120636	13.49		
4-1/2"	120637	12.67		

P/N's marked (+) are Integral Key Bushings.

Bore sizes marked (#) will be supplied with 1/2" wide keyway. Unless the 5/8" wide keyway is specified when ordering.

* Key furnished for these sizes ONLY.

** Key not furnished for MM bores sizes.

Baldor•Dodge Coupling Quick Selection @ 1800 RPM

NEMA Motor Frame Size	Shaft Size (in.)	HP	1.0 Service Factor						1.5 Service Factor					
			Competitors		Baldor•Dodge Para-Flex				Competitors		Baldor•Dodge Para-Flex			
			Martin	Maurey	Para-Flex Size	Flange Part No.	Driver Bushing Part No.	Element Part No.	Martin	Maurey	Para-Flex Size	Flange Part No.	Driver Bushing Part No.	Element Part No.
56	5/8	1/3	F5JA	50JA	PX50QD	013210	120334	011105	F5JA	50JA	PX50QD	013210	120334	011105
56	5/8	1/2	F5JA	50JA	PX50QD	013210	120334	011105	F5JA	50JA	PX50QD	013210	120334	011105
56	5/8	3/4	F5JA	50JA	PX50QD	013210	120334	011105	F5JA	50JA	PX50QD	013210	120334	011105
143T	7/8	1	F5JA	50JA	PX50QD	013210	120338	011105	F5JA	50JA	PX50QD	013210	120338	011105
145T	7/8	1-1/2	F5JA	50JA	PX50QD	013210	120338	011105	F5JA	50JA	PX50QD	013210	120338	011105
145T	7/8	2	F5JA	50JA	PX50QD	013210	120338	011105	F5JA	50JA	PX50QD	013210	120338	011105
182T	1-1/8	3	F5JA	50JA	PX50QD	013210	120342	011105	F5JA	50JA	PX50QD	013210	120342	011105
184T	1-1/8	5	F5JA	50JA	PX50QD	013210	120342	011105	F5JA	50JA	PX50QD	013210	120342	011105
213T	1-3/8	7-1/2	F7SH	60SH	PX60QD	013211	120359	011106	F7SH	60SH	PX60QD	013211	120359	011106
215T	1-3/8	10	F7SH	60SH	PX60QD	013211	120359	011106	F7SH	60SH	PX60QD	013211	120359	011106
254T	1-5/8	15	F7SH	60SH	PX60QD	013211	120363	011106	F7SH	60SH	PX60QD	013211	120363	011106
256T	1-5/8	20	F7SH	60SH	PX60QD	013211	120363	011106	F7SH	60SH	PX60QD	013211	120363	011106
284T	1-7/8	25	F8SDS	80SDS	PX70QD	013212	120410	011107	F8SDS	80SDS	PX70QD	013212	120410	011107
286T	1-7/8	30	F8SDS	80SDS	PX70QD	013212	120410	011107	F8SDS	80SDS	PX70QD	013212	120410	011107
324T	2-1/8	40	F9SK	90SK	PX80QD	013213	120439	011108	F9SK	90SK	PX80QD	013213	120439	011108
326T	2-1/8	50	F9SK	90SK	PX80QD	013213	120439	011108	F9SK	90SK	PX80QD	013213	120439	011108
364T	2-3/8	60	F9SK	90SK	PX80QD	013213	120443	011108	F9SK	90SK	PX80QD	013213	120443	011108
365T	2-3/8	75	F9SK	90SK	PX80QD	013213	120443	011108	F9SK	90SK	PX90QD	013214	120443	011109
405T	2-7/8	100	F10SF	120E	PX100QD	013215	120486	011110	F11SF	120E	PX110QD	013216	120486	011111
444T	3-3/8	125	F12E	120E	PX120QD	013217	120528	011112	F12E	120E	PX120QD	013217	120528	011112
445T	3-3/8	150	F12E	120E	PX120QD	013217	120528	011112	F12E	120E	PX120QD	013217	120528	011112
445T	3-3/8	200	F12E	120E	PX120QD	013217	120528	011112	-	120E	PX120QD	013217	120528	011112
447T	3-3/8	250	F12E	120E	PX120QD	013217	120528	011112	-	-	PX140QD	013218	120569	011114
449T	3-3/8	300	-	-	PX120QD	013217	120528	011112	-	-	PX140QD	013218	120569	011114
449T	3-3/8	350	-	-	PX120QD	013217	120528	011112	-	-	PX140QD	013218	120569	011114
449T	3-3/8	400	-	-	PX140QD	013218	120569	011114	-	-	PX140QD	013218	120569	011114
449T	3-3/8	450	-	-	PX140QD	013218	120569	011114	-	-	PX140QD	013218	120569	011114

 Indicate selections where Dodge has a coupling size advantage versus competition. NOTE: 1) All selections assume that the driven hub bore size will be equal to or less than the motor shaft diameter.
 Indicate selections that exceed competitor's product offering.

Baldor•Dodge Coupling Quick Selection @ 3600 RPM

NEMA Motor Frame Size	Shaft Size (in.)	HP	1.0 Service Factor						1.5 Service Factor					
			Competitors		Baldor•Dodge Para-Flex				Competitors		Baldor•Dodge Para-Flex			
			Martin	Maurey	Para-Flex Size	Flange Part No.	Driver Bushing Part No.	Element Part No.	Martin	Maurey	Para-Flex Size	Flange Part No.	Driver Bushing Part No.	Element Part No.
56	5/8	1/3	F5JA	50JA	PX50QD	013210	120334	011105	F5JA	50JA	PX50QD	013210	120334	011105
56	5/8	1/2	F5JA	50JA	PX50QD	013210	120334	011105	F5JA	50JA	PX50QD	013210	120334	011105
56	5/8	3/4	F5JA	50JA	PX50QD	013210	120334	011105	F5JA	50JA	PX50QD	013210	120334	011105
143T	7/8	1	F5JA	50JA	PX50QD	013210	120338	011105	F5JA	50JA	PX50QD	013210	120338	011105
145T	7/8	1-1/2	F5JA	50JA	PX50QD	013210	120338	011105	F5JA	50JA	PX50QD	013210	120338	011105
145T	7/8	2	F5JA	50JA	PX50QD	013210	120338	011105	F5JA	50JA	PX50QD	013210	120338	011105
182T	1-1/8	3	F5JA	50JA	PX50QD	013210	120342	011105	F5JA	50JA	PX50QD	013210	120342	011105
184T	1-1/8	5	F5JA	50JA	PX50QD	013210	120342	011105	F5JA	50JA	PX50QD	013210	120342	011105
213T	1-3/8	7-1/2	F7SH	60SH	PX60QD	013211	120359	011106	F7SH	60SH	PX60QD	013211	120359	011106
215T	1-3/8	10	F7SH	60SH	PX60QD	013211	120359	011106	F7SH	60SH	PX60QD	013211	120359	011106
254T	1-5/8	15	F7SH	60SH	PX60QD	013211	120363	011106	F7SH	60SH	PX60QD	013211	120363	011106
256T	1-5/8	20	F7SH	60SH	PX60QD	013211	120363	011106	F7SH	60SH	PX60QD	013211	120363	011106
284T	1-7/8	25	F8SDS	80SDS	PX70QD	013212	120410	011107	F8SDS	80SDS	PX70QD	013212	120410	011107
286T	1-7/8	30	F8SDS	80SDS	PX70QD	013212	120410	011107	F8SDS	80SDS	PX70QD	013212	120410	011107

 Indicate selections where Dodge has a coupling size advantage versus competition. NOTE: 1) All selections assume that the driven hub bore size will be equal to or less than the motor shaft diameter.



P.O. Box 2400, Fort Smith, AR 72902-2400 U.S.A., Ph: (1) 479.646.4711, Fax (1) 479.648.5792, International Fax (1) 479.648.5895

Baldor - Dodge

6040 Ponders Court, Greenville, SC 29615-4617 U.S.A., Ph: (1) 864.297.4800, Fax: (1) 864.281.2433

www.baldor.com