

## Dodge® Gear Couplings

### The most Power-Dense Coupling Dodge Offers

Engineered for improved operation, the Dodge gear coupling is manufactured with high-quality forged steel for longer service life, and features a high torque rating for efficient downsizing.

### Versatile Design

The Dodge Gear coupling's versatile, modular system design is half-for-half interchangeable with competitive AGMA gear couplings.

### Largest Bore Capacity in Industry

In most sizes, the Dodge Gear coupling also offers the largest bore capacity in the industry. It's well suited for reversing applications and can be combined with any Dodge speed reducer to achieve a tailored package for maximum results.

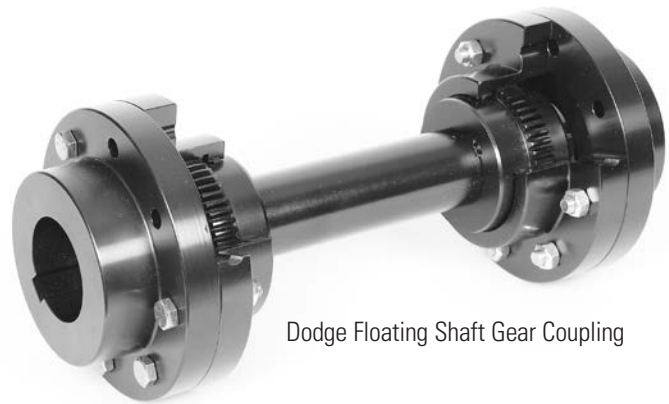
### Custom Capabilities:

The Dodge gear coupling product line has catalogued sizes up to AGMA size 7.0, however, manufacturing capabilities also allow for custom designs including:

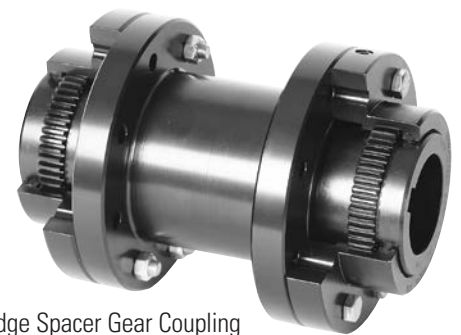
- 1) Large sizes up to size 30.0
- 2) Shrouded bolt
- 3) Gear spacer couplings
- 4) Floating shaft designs
- 5) Limited end float (LEF)
- 6) Slide gear
- 7) Shear pin
- 8) Electrically insulated
- 9) Metal labyrinth seals
- 10) Made-to-order (MTO) custom designs



Dodge Gear Coupling



Dodge Floating Shaft Gear Coupling



Dodge Spacer Gear Coupling

### Gear Coupling Standard and Metric Ratings\*

Style	Size Range	Max Torque		Power per 100 RPM		Max Speed	Max Bore		Misalignment Capability (Angular)	Misalignment Capability (Parallel)		Misalignment Capability (End-Float)	
		In-lbs	N-m	HP/100	kW/100		Inch	mm		Inch	mm	Inch	mm
Gear (Standard)	1.0 - 7.0	1,008,400	113,900	1600	1193	6,000/9,000**	9.50	255	Size 1.0-5.0-1.5° ang. Misalign. per gear mesh Size 6.0-7.0-0.75° ang. Misalign. per gear mesh				
Gear (Made-To-Order)	8.0 - 30.0	47,269,000	5,340,000	75000	55916	1,900/2,850**	42.00	480		Consult Dodge Engineering for misalignment detail.			

\* Listed values represent the range of the entire product line. Ratings listed are the maximum ratings for the largest coupling size. See Dodge engineering catalog and appropriate selection methods during sizing or contact application engineering for assistance.

\*\*Balanced

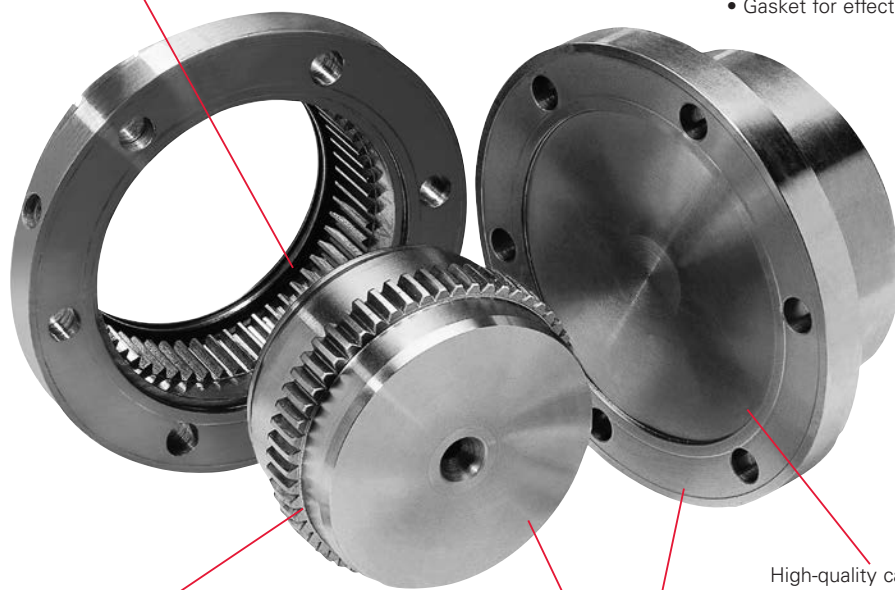
## Size-for-size Competitive Interchangeability

Dodge Gear Coupling	Falk Lifelign G20 Series	Kop-Flex H Series	Amerigear F Series	Lovejoy/Sier-Bath
1	1010	1H	201	-
1.5	1015	1 1/2 H	201 1/2	1.5
2	1020	2H	202	2
2.5	1025	2 1/2 H	202 1/2	2.5
3	1030	3H	203	3
3.5	1035	3 1/2 H	203 1/2	3.5
4	1040	4H	204	4
4.5	1045	4 1/2 H	204 1/2	4.5
5	1050	5H	205	5
5.5	1055	5 1/2 H	205 1/2	5.5
6	1060	6H	206	6
7	1070	7H	207	-

Note: Check with Dodge Engineering on specific application questions.

Reliable O-ring design effectively seals against contaminants

Accessory kit  
 • High grade features  
 • Gasket for effective sealing



High-pressure angle provides large tooth base; results in high safety factor

Flexible and rigid hub styles available

High-quality carbon steel ensures longer service life

**BALDOR**  
 A MEMBER OF THE ABB GROUP

P.O. Box 2400, Fort Smith, AR 72902-2400 U.S.A., Ph: (1) 479.646.4711, Fax (1) 479.648.5792, International Fax (1) 479.648.5895

**Baldor - Dodge**  
 6040 Ponders Court, Greenville, SC 29615-4617 U.S.A., Ph: (1) 864.297.4800, Fax: (1) 864.281.2433  
[www.baldor.com](http://www.baldor.com)