

## Dodge Large-Bore HISAF 231 pillow blocks feature a built-in, hydraulic installation and removal system.

Designed to significantly reduce the amount of time associated with installing and removing large bore, SAF style mounted bearings.

### Key Features:

- Integral hydraulic mount and dismount system
- Two-stage sealing system
- Totally sealed, replaceable inner unit
- Factory lubricated
- Hydraulic mount nut

### Product Specifications:

- Dimensionally interchangeable with industry standard SDAF mounting dimensions
- Uses standard 231 series spherical roller bearings
- Ductile iron housing for added strength
- 231 series available in bore sizes from 9-7/16" to 14" (Smaller bore sizes available in standard HISAF product)

### How Much Is Your Assembly Time Worth?

HISAF 231 pillow blocks are interchangeable with other SDAF style pillow blocks.



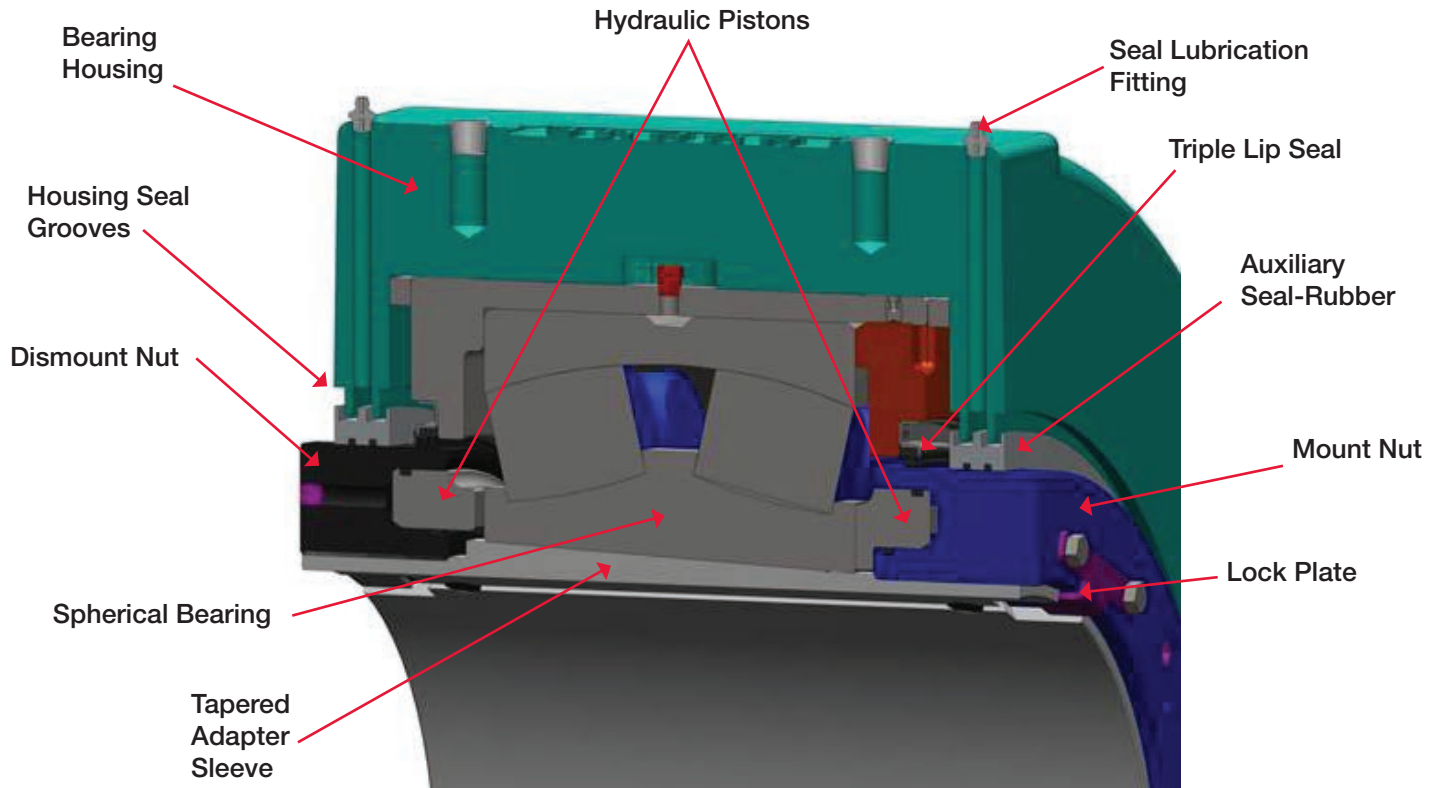
### Customer Benefits:

- Reduces installation and removal time
- Reduces contamination and provides longer operating life
- Eliminates contamination of bearing during installation and easy to replace
- No hand-packing of grease in bearing and housing required/uses less grease
- Eliminates using feeler gauges for setting bearing clearance



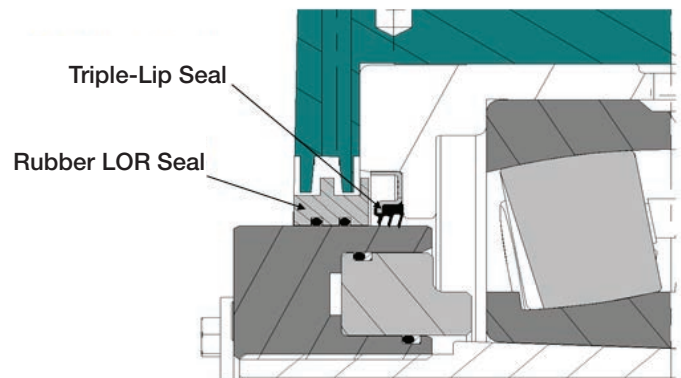
Hydraulic ISAF	Standard SAF
One package, shaft ready	3 or more packages, user assembled
Ductile iron housing	Cast iron housing
Automatic clearance setting	Requires feeler gauges for clearance setting
100% seal contact and pressure	Seals in the housing, lose effectiveness when misaligned
Greased at the factory	You pack the grease and clean the mess
Grease retained near rollers	Grease migrates out to housing cavity away from rollers
Reduced grease consumption	Large cavity to fill with grease
Factory sealed	Subject to on-site contamination
Easy mount and dismount	Difficult removal from shaft

# HISAF 231



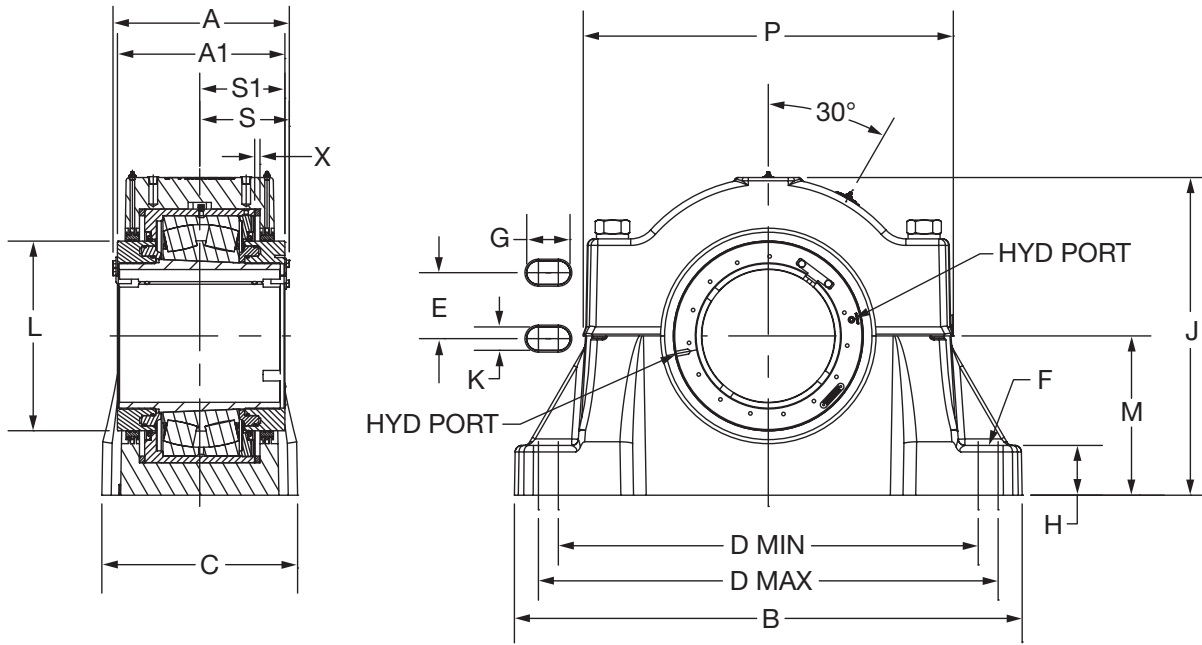
## Sealed Inner Unit

- Totally sealed inner unit
- Pre-greased at factory
- Prevents contamination of bearing during replacement
- 1 part number for easy replacement
- Extends service life
- Harsh duty sealing system
- Triple-lip internal seal
- Auxiliary LOR seal
- Grease fittings over seal
- Equivalent to Taconite style seal
- Extends service life



An online installation video is available at  
[http://www.dodge-pt.com/movie/video/isaf/PRV3003\\_ISAF.wmv](http://www.dodge-pt.com/movie/video/isaf/PRV3003_ISAF.wmv)

# HISAF 231



## Part Numbers - Hydraulic ISAF231

Housing Designation	Bearing Series	Shaft Size	Part Number	Description	Insert Number
3152	23152K	9-7/16"	<b>072786</b>	P4B3152-ISAF-907R HYD	<b>072791</b>
3152	23152K	9-1/2"	<b>072789</b>	P4B3152-ISAF-908R HYD	<b>072792</b>
3156	23156K	10-7/16"	<b>072742</b>	P4B3156-ISAF-1007R HYD	<b>072746</b>
3156	23156K	10-1/2"	<b>072744</b>	P4B3156-ISAF-1008R HYD	<b>072747</b>
3160	23160K	10-15/16"	<b>072831</b>	P4B3160-ISAF-1015R HYD	<b>072835</b>
3160	23160K	11"	<b>072833</b>	P4B3160-ISAF-1100R HYD	<b>072836</b>

Housing Designation	Bearing Series	Shaft Size	Part Number	Description	Insert Number
3168	23168K	12-7/16"	<b>072910</b>	P4B3168-ISAF-1207R HYD	
3168	23168K	12-1/2"	<b>072911</b>	P4B3168-ISAF-1208R HYD	
3172	23172K	13-7/16"	<b>072706</b>	P4B3172-ISAF-1307R HYD	<b>072710</b>
3172	23172K	13-1/2"	<b>072708</b>	P4B3172-ISAF-1308R HYD	<b>072711</b>
3176	23176K	13-15/16"	<b>072688</b>	P4B3176-ISAF-1315R HYD	<b>072692</b>
3176	23176K	14"	<b>072690</b>	P4B3176-ISAF-1400R HYD	<b>072693</b>

## ISAF Large-Bore Hydraulic Assist Spherical Roller Bearings Selection Table

Shaft Size	Housing Designation	Bearing Series	A	A1	B	C	D		E	F Bolts	G	H	J	K	L	M	P	S	S1	X Exp
							Min	Max												
9-7/16" 9-1/2"	3152	23152K	13.17	12.51	35.00	13.12	29.00	30.50	8.75	1-5/8	2.50	3.75	21.55	1.76	13.26	10.25	24.32	6.59	6.26	0.78
10-7/16" 10-1/2"	3156	23156K	13.28	12.61	38.25	14.75	31.63	34.63	9.00	1-5/8	3.25	3.75	23.93	1.76	14.28	12.00	27.87	6.75	6.41	0.78
10-15/16" 11"	3160	23160K	13.80	13.13	38.25	14.75	31.63	34.63	9.00	1-5/8	3.25	3.37	24.50	1.76	15.30	12.00	26.88	7.03	6.70	0.78
11-15/16" 12"	3164	23164K	14.46	13.79	41.75	15.75	35.00	36.50	10.50	1-7/8	2.75	4.50	26.58	2.00	16.33	12.81	29.50	7.22	6.89	0.78
12-7/16" 12-1/2"	3168	23168K	15.23	14.39	43.58	17.75	36.75	38.25	10.75	2	2.87	5.00	28.06	2.12	17.31	14.00	31.50	7.58	7.16	0.78
13-7/16" 13-1/2"	3172	23172K	15.16	14.49	46.00	17.13	39.25	40.75	11.00	2	2.87	5.25	29.25	2.12	18.35	14.50	33.56	7.71	7.38	0.78
13-15/16" 14"	3176	23176K	15.83	14.91	46.00	17.13	39.25	40.75	11.00	2	2.87	5.25	29.50	2.12	18.48	14.50	33.56	8.04	7.58	0.78



---

P.O. Box 2400, Fort Smith, AR 72902-2400 U.S.A., Ph: (1) 479.646.4711, Fax (1) 479.648.5792, International Fax (1) 479.648.5895

**Baldor - Dodge**

6040 Ponders Court, Greenville, SC 29615-4617 U.S.A., Ph: (1) 864.297.4800, Fax: (1) 864.281.2433

[www.baldor.com](http://www.baldor.com)