

Split-Housed Plummer Blocks

DODGE Quality For World Wide Applications.

SN dimensioned housings are used throughout the world, and DODGE offers a full line of products to satisfy most application requirements.



SNX

SNX FEATURES

- Housing of cast iron GG25
- GGG spheroidal ductile iron housings available
- 40mm through 175mm
- 200, 300, 500 and 600 series housings
- Grease or oil lubrication
- Solid feet for enhanced load capacity
- Available seals: Felt, V-ring, LD split lip radial, TS labyrinth, TT triple-tect, DK end cover
- Integral taconite seal capability



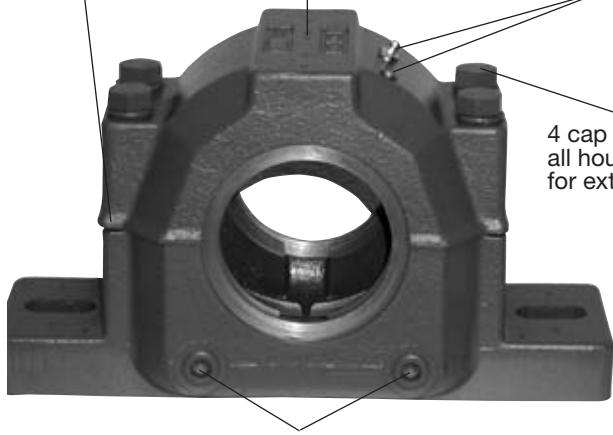
SNX™ FEATURES

Pry slots: allow easy disassembly

Cast-in dimples for taconite seal option

Two drilled and tapped grease holes: 1 with grease fitting, 1 plugged

4 cap bolts for all housing sizes: for extra strength



Two oil lubrication drain holes: 1 for draining and 1 for either sight gauge or for grease escape hole in base



Solid feet for extra load capacity and better heat transfer

STANDARD FEATURES FOR OIL LUBRICATION INCLUDED

- Extra capacity oil sump: lowers operating temperature
- Oil equalization passage: allows oil flow from side to side
- Oil return slots: ensures oil returns to the sump and prevents leakage



SDX – SDXD FEATURES

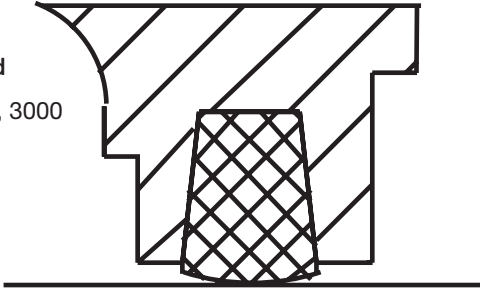
- 180mm through 320mm
- SD housing with extra capability
- For 23040K through 23068K bearings, and 23134K through 23164K bearings
- Available in either GG cast iron or GGG spheroidal ductile iron
- TS labyrinth seal standard
- TT triple tect seal optional; housing machined to allow direct greasing and purging of taconite seal



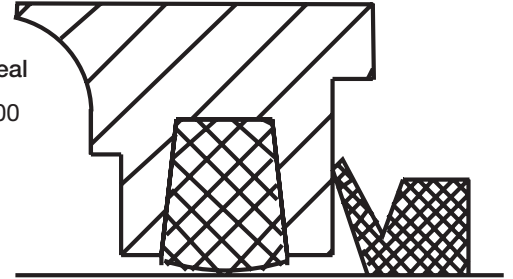
SEALING

One Housing – Many Seal Options

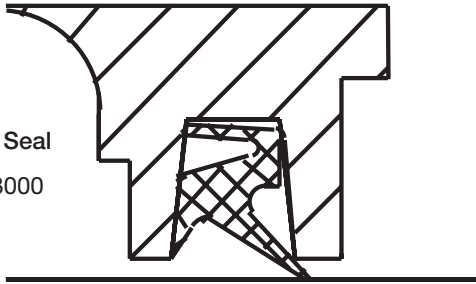
FS
Felt Seal: Standard
SNX 200, 500, 600, 3000



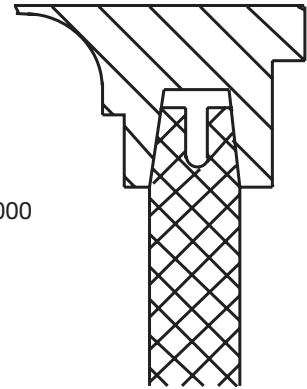
VR
Felt Seal plus V-ring Seal
SNX 200, 500, 600, 3000



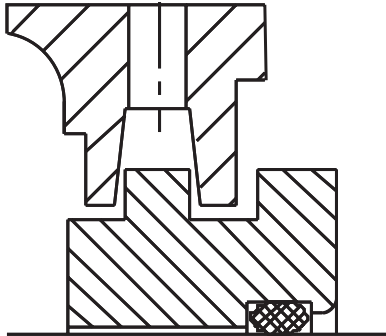
LD
Split Two-Lip Radial Seal
SNX 200, 500, 600, 3000



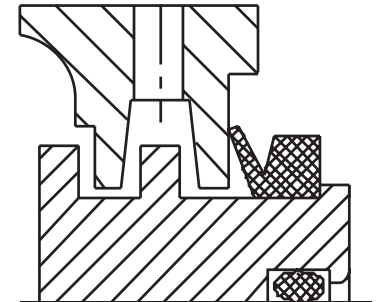
DK
End Cover
SNX 200, 300, 500, 600, 3000



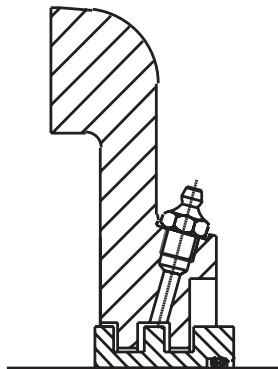
TS - SNX
Labyrinth Seal
SNX 200, 500



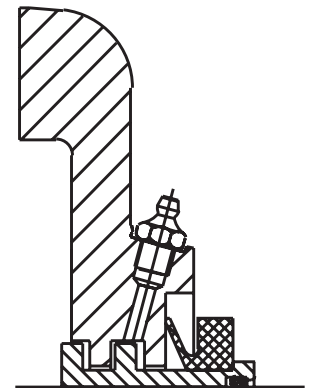
TT - SNX
Triple-Tect Seal
SNX 200, 500



TS - SDX/SDXD
Labyrinth Seal: Standard
SDX 3000, 3100



TT - SDX
Triple-Tect /Taconite Seal
SDX 3000, 3100



	FS	LD	VR & TT	TS	DK
Max. circumferential speeds	4 m/s	8 m/s	4 m/s	brg. RPM limit	–
Max temperature	80-90°C	100-110°C	100-110°C	100-110°C	100-110°C

DODGE ISN SPHERICAL ROLLER BEARING

- Patented “Push/Pull” adapter mounting system
- Dimensionally interchangeable with SN 500 series
- Clearances are preset and bearing is greased at the factory
- Expansion & non-expansion, field convertible
- Triple lip contact seals for wet or dirty applications
- Labyrinth non-contact seals for high speed & high temperature applications
- 30mm through 140mm



PATENTED SEALING SYSTEMS

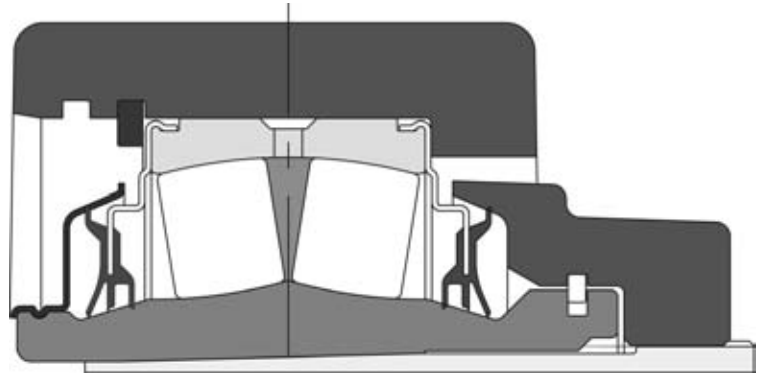
An ineffective seal can allow contaminants to enter into a bearing, which can cause failure. However, with ISN bearing inserts, you get two exclusive seals for maximum sealing protection.

TRIDENT Seals

For dirty environments, low-to-medium speeds, and normal ambient conditions, these inserts feature our proven TRIDENT seal. Made of nitrile material, this triple-lip rubbing seal assures a low coefficient of friction, and its seal land maintains full seal contact when misaligned.

Labyrinth Seals

For higher speeds and temperatures, the ISN inserts offer labyrinth seals with corrosion-resistant flingers and a clearance steel seal carrier.



BALDOR

World Headquarters

P.O. Box 2400, Fort Smith, AR 72902-2400 U.S.A., Ph: (1) 479.646.4711, Fax (1) 479.648.5792, International Fax (1) 479.648.5895

Baldor - Dodge

6040 Ponders Court, Greenville, SC 29615-4617 U.S.A., Ph: (1) 864.297.4800, Fax: (1) 864.281.2433

www.baldor.com