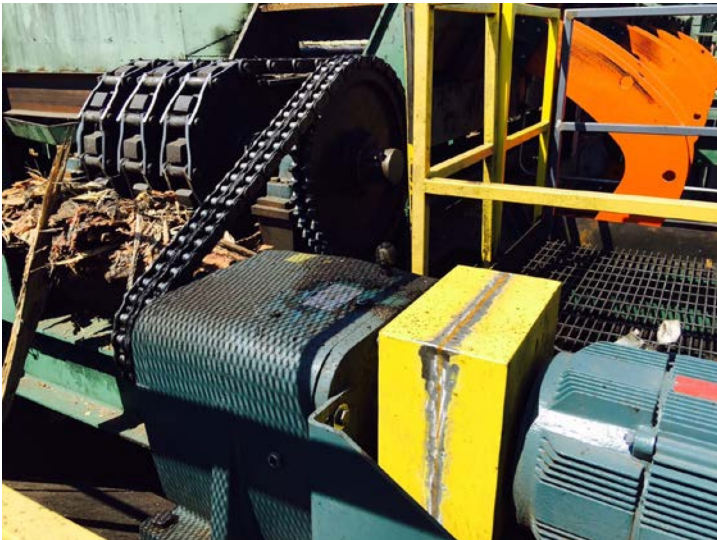


Baldor • Dodge Maxum XTR reducers are ideally suited for tough applications in the Forest Products Industry. With the same features you have come to expect from Baldor • Dodge heavy duty gear reducers, the Maxum XTR is designed to minimize down time while maximizing service life, all at a great value. No competitive speed reducer can match it in design and performance.

Maxum XTR standard features include:

- Higher Hp ratings over the competition
- An AGMA rated bearing design with 5,000 hours minimum L-10 life
- A premium tandem seal arrangement on the input and output shafts
- HNBR oil seals providing an excellent operating temperature range
- Rugged ductile iron housings
- Backstops compatible with EP lubricant
- Magnetic drain plugs
- Oil sight gages
- Stock availability on the most popular sizes and ratios

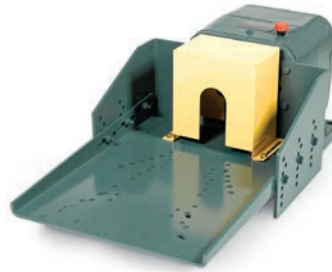


Maxum XTR in a Debarker Outfeed Application



Mounting and Accessory Options

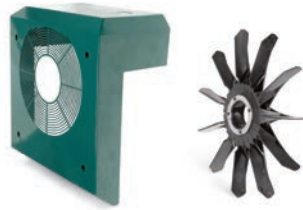
- **Scoop Packages:** Available for use with 143T through 445T motor frames. Fabricated steel scoops are an economical and compact way to connect the motor and reducer. Complete scoop packages including the input coupling and coupling guard are organized into one part number for easy selection.
- **Top Motor Mounts:** Achieve your desired reducer output speed in less floor space with a top-mounted Baldor AC motor and Baldor•Dodge V-belt drive.
- **Custom Baseplates:** Designed to your application to ensure a sturdy mounting structure and easy alignment of an AC or DC motor, coupling and reducer. Baseplates provide a convenient single source power transmission package.
- **Slide Bases:** Allow convenient positioning of the reducer to provide simplified installation and servicing of belt and chain drives.
- **Backstops:** EP lubricant compatible backstops provide reliable holding power and are easily maintained.
- **Cooling Fans:** Provide an economical way of utilizing more of the reducer's mechanical rating. Fan options include mechanical shaft fans and electric fans.
- **Heat Exchanger Kit:** Heat exchangers are available for applications with high ambient temperatures or for thermal capacities beyond the range of cooling fans.



Scoop Package



Top Motor Mount



Mechanical Shaft Fan and Cover



Electric Fan

Maxum XTR Capabilities and Options

Dodge Maxum XTR Reducer Size	Ratios Available	Max Torque (in. lbs.) @ 1750 RPM 25:1	Max Input HP @ 1750 RPM 25:1	Scoop Packages for Motor Frames	Custom Designed Heavy Duty Baseplates	Top Motor Mounts for Motor Frames
50	2.25-194.6	29,500	33	143T-326T	YES	143T-326T
60	2.25-194.6	50,100	56	143T-365T	YES	182T-365T
70	2.25-194.6	70,600	79	182T-365T	YES	182T-365T
80	5.06-194.6	101,000	110	213T-445T	YES	213T-445T
90	5.06-194.6	152,000	164	213T-445T	YES	213T-445T
100	5.06-194.6	214,000	227	254T-445T	YES	213T-445T
110	9.30-194.6	306,000	336	254T-445T	YES	254T-445T
120	11.39-194.6	426,000	450	254T-445T	YES	254T-445T
130	11.39-194.6	579,000	620	284T-445T	YES	284T-445T

The Most Popular Maxum XTR Reducers and Accessories are in Stock for Quick Delivery

Output speeds and Hp ratings are for a 1750RPM input speed. Thermal Hp ratings are for a 100F ambient temperature.

Ratio	Output Speed	Input Hp Rating	Case Size	Maxum XTR Part Number	Thermal Hp Rating with No Fan	Thermal Hp Rating with Shaft Fan Kit	Shaft Fan Kit Part Number (Fan Not for Use With a Scoop Package*)
9.30	188	79.5	50	268707	42	78	271945
9.30	188	276	80	268853	90	167	268839
9.30	188	438	90	268903	112	316	268847
9.30	188	580	100	268953	120	434	268849
11.39	154	70.9	50	268708	40	72	271945
17.09	102	48.3	50	268710	39	62	271945
17.09	102	80.1	60	268760	42	82	271948
17.09	102	108	70	268810	57	105	271951
17.09	102	159	80	268856	77	134	268839
20.93	84	40.1	50	268711	37	56	271945
20.93	84	64.8	60	268761	40	75	271948
20.93	84	90	70	268811	52	101	271951
20.93	84	134	80	268857	69	123	268839
25.63	68	32.8	50	268712	36	52	271945
25.63	68	55.6	60	268762	40	71	271948
25.63	68	78.6	70	268812	50	91	271951
25.63	68	110	80	268858	64	114	268839
25.63	68	164	90	268908	71	240	268847
31.39	56	26.2	50	268713	34	46	271945
31.39	56	44.2	60	268763	39	69	271948
31.39	56	55.6	70	268813	48	85	271951
31.39	56	83.2	80	268859	62	111	268839
31.39	56	133	90	268909	65	237	268847
38.44	46	19.5	50	268714	27	◆	N/A
38.44	46	32.7	60	268764	34	◆	N/A
38.44	46	45.6	70	268814	46	◆	N/A
38.44	46	64.8	80	268870	59	◆	N/A
38.44	46	106	90	268920	80	159	268848
47.08	37	17.0	50	268715	25	◆	N/A
47.08	37	28.4	60	268765	33	◆	N/A
47.08	37	39.5	70	268815	44	◆	N/A
47.08	37	53.6	80	268871	53	◆	N/A
47.08	37	95.8	90	268921	75	149	268848
57.67	30	14.7	50	267716	24	◆	N/A
57.67	30	23.7	60	268766	29	◆	N/A
70.62	25	12.0	50	268717	22	◆	N/A
86.5	20	9.73	50	268718	28	◆	N/A
105.9	17	7.93	50	268719	26	◆	N/A

* See stock scoop package tables for scoop with a shaft fan options.

Maxum XTR Size 50 Scoop Packages

Gear Reducer Ratio	Motor Frame Size	Scoop Package Includes Shaft Fan	Scoop Packages with Para-Flex Couplings	Scoop Packages with Grid-Lign Couplings
9.30 - 31.39	254T, 256T	No	269152	269167
	284T, 286T	No	269153	269168
	324T, 326T	Yes	N/A	269174
38.44 - 105.9	213T, 215T	No	269162	269177
	254T, 256T	No	269163	269178

Maxum XTR Size 60 Scoop Packages

Gear Reducer Ratio	Motor Frame Size	Scoop Package Includes Shaft Fan	Scoop Packages with Para-Flex Couplings	Scoop Packages with Grid-Lign Couplings
13.95 - 31.39	324T, 326T	Yes	269188	269203
	364T, 365T	Yes	269189	269204
38.44 - 57.67	254T, 256T	No	269193	269208
	284T, 286T	No	269194	269209

Maxum XTR Size 70 Scoop Packages

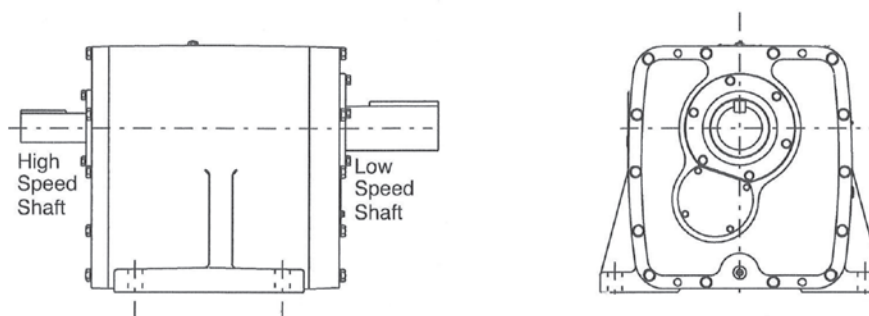
Gear Reducer Ratio	Motor Frame Size	Scoop Package Includes Shaft Fan	Scoop Packages with Para-Flex Couplings	Scoop Packages with Grid-Lign Couplings
13.95 - 31.39	324T, 326T	No	269213	269229
	364T, 365T	Yes	269219	269235
38.44 - 47.08	284T, 286T	No	269223	269239
	324T, 326T	No	269224	269240

Maxum XTR Size 80 Scoop Packages

Gear Reducer Ratio	Motor Frame Size	Scoop Package Includes Shaft Fan	Scoop Packages with Para-Flex Couplings	Scoop Packages with Grid-Lign Couplings
17.09 - 31.39	364T, 365T	No	269246	269262
	404T, 405T	Yes	269252	269268
38.44 - 47.08	444T, 445T	Yes	269253	269269
	324T, 326T	No	269257	269273

Maxum XTR Size 90 Scoop Packages

Gear Reducer Ratio	Motor Frame Size	Scoop Package Includes Shaft Fan	Scoop Packages with Para-Flex Couplings	Scoop Packages with Grid-Lign Couplings
25.63 - 31.39	404T, 405T	Yes	269281	269298
	444T, 445T	Yes	269282	269299
38.44 - 47.08	364T, 365T	Yes	269290	269307
	404T, 405T	Yes	269291	269308



Maxum XTR Case	Ratio	C	D	E	F	G	U	UA
CR50	Double	21.54	9.60	7.30	7.10	8.10	2.5000 / 2.4995	1.6250 / 1.6245
	Triple	21.54						1.2500 / 1.2495
CR60	Double	24.94	10.60	8.20	10.00	8.00	2.7500 / 2.7495	1.8750 / 1.8745
	Triple	24.32						1.2500 / 1.2495
CR70	Double	28.34	11.66	9.30	11.30	9.20	3.250 / 3.249	2.1250 / 2.1245
	Triple	27.28						1.3750 / 1.3745
CR80	Double	31.68	12.78	10.20	13.20	10.00	3.500 / 3.499	2.2500 / 2.2495
	Triple	30.64						1.5000 / 1.4995
CR90	Double	35.08	15.74	11.40	14.30	11.50	4.000 / 3.999	2.5000 / 2.4995
	Triple	33.66						2.0000 / 1.9995
CR100	Double	38.50	17.40	12.20	14.96	13.14	4.500 / 4.499	2.7500 / 2.7485
	Triple	37.14						2.1250 / 2.1245



P.O. Box 2400, Fort Smith, AR 72902-2400 U.S.A., Ph: (1) 479.646.4711, Fax (1) 479.648.5792, International Fax (1) 479.648.5895

Baldor - Dodge

6040 Ponders Court, Greenville, SC 29615-4617 U.S.A., Ph: (1) 864.297.4800, Fax: (1) 864.281.2433

www.baldor.com