

TIGEAR-2® ULTRA KLEEN® STAINLESS STEEL REDUCERS

BALDOR • DODGE®

GEARING

The best choice for a stainless steel reducer with ultimate washdown protection or where "paint free" specification is required. Easy to order, readily available and built to last.

Tired of the "so called" washdown speed reducers not getting the job done? Applications for the food and beverage industry are tough and it takes a rugged, well built reducer to survive in these harsh conditions. With all stainless steel housings, a ventless design, special 2-piece harsh duty output seals, and factory filled H1 food grade synthetic lubrication, Tigear-2 will meet your expectations of what a washdown reducer should be.

You don't like maintenance? No problem with Tigear-2. This is a maintenance free reducer. No oil changes required. Simply install it and forget it.

What about customer support? You're not just buying a reducer. You're buying from a company with more than a 100 year commitment to providing the best technical support and customer service in the industry - before and after the sale.

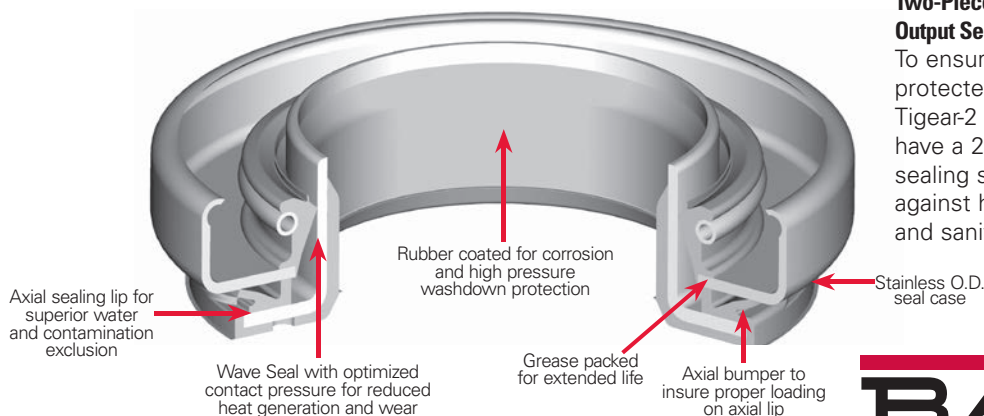
Standard features include:

- Premium stainless steel housings
- New rounded housing design prevents accumulation of material or liquid
- Available with quill or 3-piece coupled input
- 300 series Stainless Steel solid and hollow output shafts and stainless hardware
- Two-piece harsh duty output seals (see below)
- Factory filled H1 food grade synthetic lubrication
- Laser etched nameplate standard on all units
- Two tapped motor mounting holes for easy motor removal
- All critical dimensions are the same as standard Tigear-2 reducers
- Dimensionally interchangeable with most competitive brands

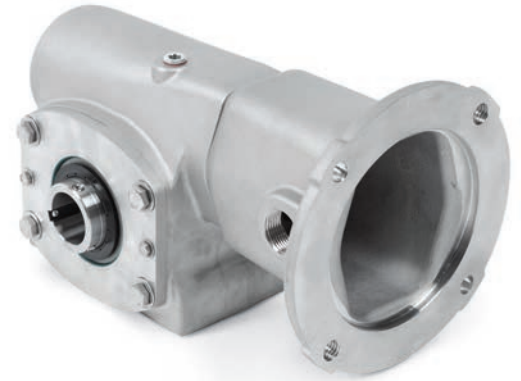
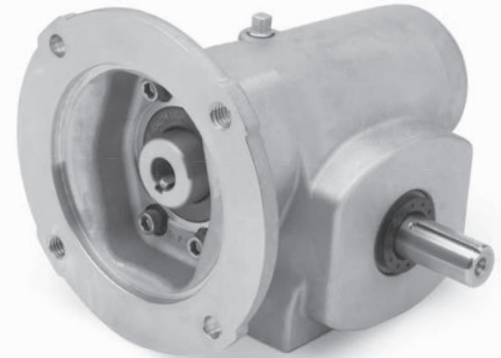
Availability:

- Center Distances: 1.75", 2.00", 2.31", 2.62" and 3.00"
- Reducer Ratios: 5, 7.5, 10, 15, 20, 25, 30, 40, 50 and 60
- Same day air shipments available

Tigear-2® Harsh Duty Output Seal



Ultra
Kleen



**IP69K
for Water**

Protection from
high pressure,
high temperature
washdown.

Washdown accessories include:

- Stainless steel bolt-on base kit
- Stainless steel bolt-on output flange kit
- Stainless steel bushing kits (if required).

Two-Piece Harsh Duty Output Seal:

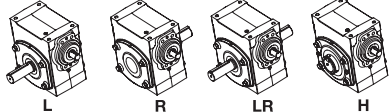
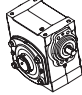
To ensure their interior is as protected as their exterior, Tigear-2 stainless reducers have a 2-piece harsh duty sealing system that protects against high-pressure sprays and sanitizing solutions.

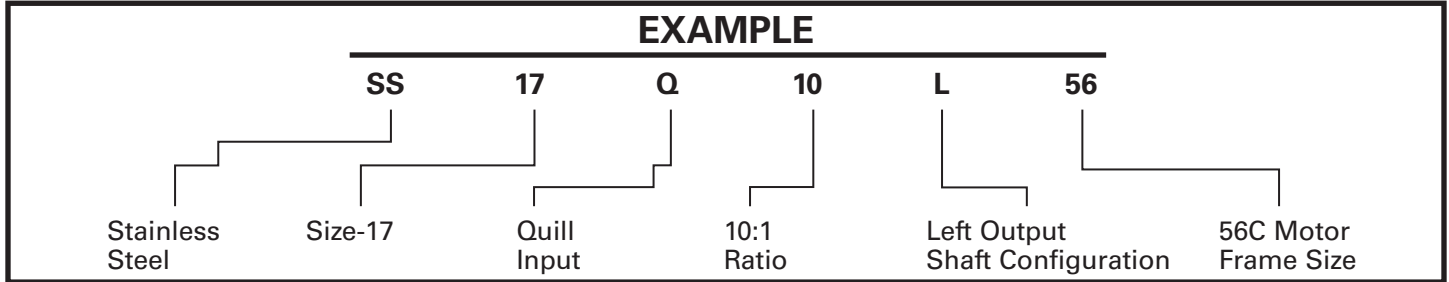


BALDOR®

A MEMBER OF THE ABB GROUP

Tigear-2 Ultra Kleen Stainless Steel Nomenclature

Stainless Steel	Size	Input Style	Ratio	Output	Motor Frame
SS	17= 1.75 c.d. 20= 2.00 c.d. 23= 2.31 c.d. 26= 2.62 c.d. 30= 3.00 c.d.	Q Quill A Adapter Assy 3-Piece Coupled	05 07 10 15 20 25 30 40 50 60	L R LR H HA	56= 56C 14= 140TC 18= 180TC
OUTPUT SHAFT CONFIGURATIONS 					
 (Hollow-Alternative)					



Tigear-2 Stainless Steel Hollow Reducer Bushing Kits

Select stainless steel reducer model number from part number table. Bushing kits allow hollow output reducers to be mounted to various diameter shafting. Each kit includes bushing and key.

Reducer Size	Max Bore	Bore Size	Stainless Steel	
			Straight Bore	GRIP TIGHT*
17	1"	n/a	n/a	n/a
20	1-1/4"	1"	20SBUSH100	n/a
20 Alt	1-3/16"	n/a	n/a	n/a
23	1-7/16"	1"	2326SBUSH100	n/a
		1-3/16"	2326SBUSH103	n/a
		1-1/4"	2326SBUSH104	n/a
23 Alt	1-1/2"	1"	n/a	23STBUSH100
		1-3/16"	n/a	23STBUSH103
26	1-7/16"	1"	2326SBUSH100	n/a
		1-3/16"	2326SBUSH103	n/a
		1-1/4"	2326SBUSH104	n/a
26 Alt	1-11/16"	1"	n/a	26STBUSH100
		1-3/16"	n/a	26STBUSH103
		1-1/4"	n/a	26STBUSH104
		1-3/8"	n/a	26STBUSH106
30	1-15/16"	1-3/8"	n/a	3035STBUSH106
		1-7/16"	n/a	3035STBUSH107
		1-1/2"	n/a	3035STBUSH108
		1-11/16"	3035SBUSH111	n/a



*Required shaft diameter tolerance for Grip Tight bushings: +.000', -.003'

Size-17 Stainless Steel Tigear-2 Reducers with Quill Input

RATIO	OUTPUT RPM	RATING DATA 1750 INPUT RPM		PART NUMBER		SHAFT POSITION
				56C	140TC	
5	350	Mechanical Input Hp	2.59	SS17Q05L56	SS17Q05L14	L
		Thermal Input Hp	3.97	SS17Q05R56	SS17Q05R14	R
		Output Torque (lb.in.)	430	SS17Q05LR56	SS17Q05LR14	LR
		Mechanical Output Hp	2.39	SS17Q05H56	SS17Q05H14	HOLLOW
		Output OHL (lbs.)	1050			
7.5	233	Mechanical Input Hp	2.06	SS17Q07L56	SS17Q07L14	L
		Thermal Input Hp	3.42	SS17Q07R56	SS17Q07R14	R
		Output Torque (lb.in.)	500	SS17Q07LR56	SS17Q07LR14	LR
		Mechanical Output Hp	1.88	SS17Q07H56	SS17Q07H14	HOLLOW
		Output OHL (lbs.)	1190			
10	175	Mechanical Input Hp	1.67	SS17Q10L56	SS17Q10L14	L
		Thermal Input Hp	2.76	SS17Q10R56	SS17Q10R14	R
		Output Torque (lb.in.)	534	SS17Q10LR56	SS17Q10LR14	LR
		Mechanical Output Hp	1.48	SS17Q10H56	SS17Q10H14	HOLLOW
		Output OHL (lbs.)	1190			
15	117	Mechanical Input Hp	1.27	SS17Q15L56	SS17Q15L14	L
		Thermal Input Hp	2.01	SS17Q15R56	SS17Q15R14	R
		Output Torque (lb.in.)	583	SS17Q15LR56	SS17Q15LR14	LR
		Mechanical Output Hp	1.08	SS17Q15H56	SS17Q15H14	HOLLOW
		Output OHL (lbs.)	1190			
20	88	Mechanical Input Hp	1.03	SS17Q20L56	SS17Q20L14	L
		Thermal Input Hp	1.58	SS17Q20R56	SS17Q20R14	R
		Output Torque (lb.in.)	602	SS17Q20LR56	SS17Q20LR14	LR
		Mechanical Output Hp	0.84	SS17Q20H56	SS17Q20H14	HOLLOW
		Output OHL (lbs.)	1190			
25	70	Mechanical Input Hp	0.88	SS17Q25L56		L
		Thermal Input Hp	1.28	SS17Q25R56		R
		Output Torque (lb.in.)	609	SS17Q25LR56		LR
		Mechanical Output Hp	0.68	SS17Q25H56		HOLLOW
		Output OHL (lbs.)	1190			
30	58	Mechanical Input Hp	0.76	SS17Q30L56		L
		Thermal Input Hp	1.20	SS17Q30R56		R
		Output Torque (lb.in.)	615	SS17Q30LR56		LR
		Mechanical Output Hp	0.57	SS17Q30H56		HOLLOW
		Output OHL (lbs.)	1190			
40	44	Mechanical Input Hp	0.60	SS17Q40L56		L
		Thermal Input Hp	1.09	SS17Q40R56		R
		Output Torque (lb.in.)	627	SS17Q40LR56		LR
		Mechanical Output Hp	0.43	SS17Q40H56		HOLLOW
		Output OHL (lbs.)	1190			
50	35	Mechanical Input Hp	0.51	SS17Q50L56		L
		Thermal Input Hp	0.90	SS17Q50R56		R
		Output Torque (lb.in.)	608	SS17Q50LR56		LR
		Mechanical Output Hp	0.34	SS17Q50H56		HOLLOW
		Output OHL (lbs.)	1190			
60	29	Mechanical Input Hp	0.43	SS17Q60L56		L
		Thermal Input Hp	0.80	SS17Q60R56		R
		Output Torque (lb.in.)	576	SS17Q60LR56		LR
		Mechanical Output Hp	0.27	SS17Q60H56		HOLLOW
		Output OHL (lbs.)	1190			

3-PIECE COUPLED INPUT STYLE IS ALSO AVAILABLE FOR TIGEAR-2 STAINLESS STEEL REDUCERS

For 3-piece coupled input, use same part numbers as above except replace the letter "Q" with the new letter "A".

Example: Part number SS17Q30L56 is a stainless steel size-17 reducer with Quill input, 30:1 ratio, left hand output shaft and a 56C motor adapter.

Part number SS17A30L56 is the same reducer except with 3-piece coupled input style.

Note: Washdown accessories available in Modifications / Accessories section of Dodge gearing catalog.

Size-20 Stainless Steel Tigear-2 Reducers with Quill Input

RATIO	OUTPUT RPM	RATING DATA 1750 INPUT RPM		PART NUMBER		SHAFT POSITION
				56C	140TC	
5	350	Mechanical Input Hp	3.47	SS20Q05L56	SS20Q05L14	L
		Thermal Input Hp	4.90	SS20Q05R56	SS20Q05R14	R
		Output Torque (lb.in.)	581	SS20Q05LR56	SS20Q05LR14	LR
		Mechanical Output Hp	3.23	SS20Q05H56	SS20Q05H14	HOLLOW
		Output OHL (lbs.)	1380	SS20Q05HA56	SS20Q05HA14	HOLLOW ALT.
7.5	233	Mechanical Input Hp	2.78	SS20Q07L56	SS20Q07L14	L
		Thermal Input Hp	4.15	SS20Q07R56	SS20Q07R14	R
		Output Torque (lb.in.)	678	SS20Q07LR56	SS20Q07LR14	LR
		Mechanical Output Hp	2.54	SS20Q07H56	SS20Q07H14	HOLLOW
		Output OHL (lbs.)	1560	SS20Q07HA56	SS20Q07HA14	HOLLOW ALT.
10	175	Mechanical Input Hp	2.25	SS20Q10L56	SS20Q10L14	L
		Thermal Input Hp	3.25	SS20Q10R56	SS20Q10R14	R
		Output Torque (lb.in.)	725	SS20Q10LR56	SS20Q10LR14	LR
		Mechanical Output Hp	2.01	SS20Q10H56	SS20Q10H14	HOLLOW
		Output OHL (lbs.)	1560	SS20Q10HA56	SS20Q10HA14	HOLLOW ALT.
12.7	138	Mechanical Input Hp	1.90	SS20Q12L56	SS20Q12L14	L
		Thermal Input Hp	2.83	SS20Q12R56	SS20Q12R14	R
		Output Torque (lb.in.)	770	SS20Q12LR56	SS20Q12LR14	LR
		Mechanical Output Hp	1.69	SS20Q12H56	SS20Q12H14	HOLLOW
		Output OHL (lbs.)	1560	SS20Q12HA56	SS20Q12HA14	HOLLOW ALT.
15	117	Mechanical Input Hp	1.69	SS20Q15L56	SS20Q15L14	L
		Thermal Input Hp	2.52	SS20Q15R56	SS20Q15R14	R
		Output Torque (lb.in.)	790	SS20Q15LR56	SS20Q15LR14	LR
		Mechanical Output Hp	1.46	SS20Q15H56	SS20Q15H14	HOLLOW
		Output OHL (lbs.)	1560	SS20Q15HA56	SS20Q15HA14	HOLLOW ALT.
18	97	Mechanical Input Hp	1.46	SS20Q18L56	SS20Q18L14	L
		Thermal Input Hp	2.12	SS20Q18R56	SS20Q18R14	R
		Output Torque (lb.in.)	795	SS20Q18LR56	SS20Q18LR14	LR
		Mechanical Output Hp	1.23	SS20Q18H56	SS20Q18H14	HOLLOW
		Output OHL (lbs.)	1560	SS20Q18HA56	SS20Q18HA14	HOLLOW ALT.
20	88	Mechanical Input Hp	1.34	SS20Q20L56	SS20Q20L14	L
		Thermal Input Hp	1.99	SS20Q20R56	SS20Q20R14	R
		Output Torque (lb.in.)	796	SS20Q20LR56	SS20Q20LR14	LR
		Mechanical Output Hp	1.11	SS20Q20H56	SS20Q20H14	HOLLOW
		Output OHL (lbs.)	1560	SS20Q20HA56	SS20Q20HA14	HOLLOW ALT.
25	70	Mechanical Input Hp	1.11	SS20Q25L56	SS20Q25L14	L
		Thermal Input Hp	1.59	SS20Q25R56	SS20Q25R14	R
		Output Torque (lb.in.)	788	SS20Q25LR56	SS20Q25LR14	LR
		Mechanical Output Hp	0.88	SS20Q25H56	SS20Q25H14	HOLLOW
		Output OHL (lbs.)	1560	SS20Q25HA56	SS20Q25HA14	HOLLOW ALT.
30	58	Mechanical Input Hp	0.96	SS20Q30L56		L
		Thermal Input Hp	1.49	SS20Q30R56		R
		Output Torque (lb.in.)	802	SS20Q30LR56		LR
		Mechanical Output Hp	0.74	SS20Q30H56		HOLLOW
		Output OHL (lbs.)	1560	SS20Q30HA56		HOLLOW ALT.
40	44	Mechanical Input Hp	0.76	SS20Q40L56		L
		Thermal Input Hp	1.29	SS20Q40R56		R
		Output Torque (lb.in.)	801	SS20Q40LR56		LR
		Mechanical Output Hp	0.56	SS20Q40H56		HOLLOW
		Output OHL (lbs.)	1560	SS20Q40HA56		HOLLOW ALT.
50	35	Mechanical Input Hp	0.64	SS20Q50L56		L
		Thermal Input Hp	1.09	SS20Q50R56		R
		Output Torque (lb.in.)	787	SS20Q50LR56		LR
		Mechanical Output Hp	0.44	SS20Q50H56		HOLLOW
		Output OHL (lbs.)	1560	SS20Q50HA56		HOLLOW ALT.
60	29	Mechanical Input Hp	0.56	SS20Q60L56		L
		Thermal Input Hp	0.96	SS20Q60R56		R
		Output Torque (lb.in.)	767	SS20Q60LR56		LR
		Mechanical Output Hp	0.36	SS20Q60H56		HOLLOW
		Output OHL (lbs.)	1560	SS20Q60HA56		HOLLOW ALT.

3-PIECE COUPLED INPUT STYLE IS ALSO AVAILABLE FOR TIGEAR-2 STAINLESS STEEL REDUCERS

For 3-piece coupled input, use same part numbers as above except replace the letter "Q" with the new letter "A".

Example: Part number SS20Q30L56 is a stainless steel size-20 reducer with Quill input, 30:1 ratio, left hand output shaft and a 56C motor adapter.

Part number SS20A30L56 is the same reducer except with 3-piece coupled input style.

Note: Washdown accessories available in Modifications / Accessories section of Dodge gearing catalog.

Size-23 Stainless Steel Tigear-2 Reducers with Quill Input

RATIO	OUTPUT RPM	RATING DATA 1750 INPUT RPM		PART NUMBER			SHAFT POSITION
				56C	140TC	180TC	
5	350	Mechanical Input Hp	5.25	SS23Q05L56	SS23Q05L14	SS23Q05L18	L
		Thermal Input Hp	6.61	SS23Q05R56	SS23Q05R14	SS23Q05R18	R
		Output Torque (lb.in.)	881	SS23Q05LR56	SS23Q05LR14	SS23Q05LR18	LR
		Mechanical Output Hp	4.89	SS23Q05H56	SS23Q05H14	SS23Q05H18	HOLLOW
		Output OHL (lbs.)	1330	SS23Q05HA56	SS23Q05HA14	SS23Q05HA18	HOLLOW ALT.
7.5	233	Mechanical Input Hp	4.18	SS23Q07L56	SS23Q07L14	SS23Q07L18	L
		Thermal Input Hp	5.64	SS23Q07R56	SS23Q07R14	SS23Q07R18	R
		Output Torque (lb.in.)	1026	SS23Q07LR56	SS23Q07LR14	SS23Q07LR18	LR
		Mechanical Output Hp	3.85	SS23Q07H56	SS23Q07H14	SS23Q07H18	HOLLOW
		Output OHL (lbs.)	1520	SS23Q07HA56	SS23Q07HA14	SS23Q07HA18	HOLLOW ALT.
10	175	Mechanical Input Hp	3.42	SS23Q10L56	SS23Q10L14	SS23Q10L18	L
		Thermal Input Hp	4.40	SS23Q10R56	SS23Q10R14	SS23Q10R18	R
		Output Torque (lb.in.)	1106	SS23Q10LR56	SS23Q10LR14	SS23Q10LR18	LR
		Mechanical Output Hp	3.07	SS23Q10H56	SS23Q10H14	SS23Q10H18	HOLLOW
		Output OHL (lbs.)	1610	SS23Q10HA56	SS23Q10HA14	SS23Q10HA18	HOLLOW ALT.
12.7	138	Mechanical Input Hp	2.91	SS23Q12L56	SS23Q12L14	SS23Q12L18	L
		Thermal Input Hp	3.78	SS23Q12R56	SS23Q12R14	SS23Q12R18	R
		Output Torque (lb.in.)	1170	SS23Q12LR56	SS23Q12LR14	SS23Q12LR18	LR
		Mechanical Output Hp	2.56	SS23Q12H56	SS23Q12H14	SS23Q12H18	HOLLOW
		Output OHL (lbs.)	1610	SS23Q12HA56	SS23Q12HA14	SS23Q12HA18	HOLLOW ALT.
15	117	Mechanical Input Hp	2.57	SS23Q15L56	SS23Q15L14		L
		Thermal Input Hp	3.30	SS23Q15R56	SS23Q15R14		R
		Output Torque (lb.in.)	1199	SS23Q15LR56	SS23Q15LR14		LR
		Mechanical Output Hp	2.22	SS23Q15H56	SS23Q15H14		HOLLOW
		Output OHL (lbs.)	1610	SS23Q15HA56	SS23Q15HA14		HOLLOW ALT.
20	88	Mechanical Input Hp	2.00	SS23Q20L56	SS23Q20L14		L
		Thermal Input Hp	2.62	SS23Q20R56	SS23Q20R14		R
		Output Torque (lb.in.)	1178	SS23Q20LR56	SS23Q20LR14		LR
		Mechanical Output Hp	1.64	SS23Q20H56	SS23Q20H14		HOLLOW
		Output OHL (lbs.)	1610	SS23Q20HA56	SS23Q20HA14		HOLLOW ALT.
25	70	Mechanical Input Hp	1.65	SS23Q25L56	SS23Q25L14		L
		Thermal Input Hp	2.16	SS23Q25R56	SS23Q25R14		R
		Output Torque (lb.in.)	1184	SS23Q25LR56	SS23Q25LR14		LR
		Mechanical Output Hp	1.32	SS23Q25H56	SS23Q25H14		HOLLOW
		Output OHL (lbs.)	1610	SS23Q25HA56	SS23Q25HA14		HOLLOW ALT.
30	58	Mechanical Input Hp	1.42	SS23Q30L56	SS23Q30L14		L
		Thermal Input Hp	2.06	SS23Q30R56	SS23Q30R14		R
		Output Torque (lb.in.)	1201	SS23Q30LR56	SS23Q30LR14		LR
		Mechanical Output Hp	1.11	SS23Q30H56	SS23Q30H14		HOLLOW
		Output OHL (lbs.)	1610	SS23Q30HA56	SS23Q30HA14		HOLLOW ALT.
40	44	Mechanical Input Hp	1.11	SS23Q40L56	SS23Q40L14		L
		Thermal Input Hp	1.73	SS23Q40R56	SS23Q40R14		R
		Output Torque (lb.in.)	1193	SS23Q40LR56	SS23Q40LR14		LR
		Mechanical Output Hp	0.83	SS23Q40H56	SS23Q40H14		HOLLOW
		Output OHL (lbs.)	1610	SS23Q40HA56	SS23Q40HA14		HOLLOW ALT.
50	35	Mechanical Input Hp	0.95	SS23Q50L56			L
		Thermal Input Hp	1.42	SS23Q50R56			R
		Output Torque (lb.in.)	1182	SS23Q50LR56			LR
		Mechanical Output Hp	0.66	SS23Q50H56			HOLLOW
		Output OHL (lbs.)	1610	SS23Q50HA56			HOLLOW ALT.
60	29	Mechanical Input Hp	0.80	SS23Q60L56			L
		Thermal Input Hp	1.24	SS23Q60R56			R
		Output Torque (lb.in.)	1111	SS23Q60LR56			LR
		Mechanical Output Hp	0.51	SS23Q60H56			HOLLOW
		Output OHL (lbs.)	1610	SS23Q60HA56			HOLLOW ALT.

3-PIECE COUPLED INPUT STYLE IS ALSO AVAILABLE FOR TIGEAR-2 STAINLESS STEEL REDUCERS

For 3-piece coupled input, use same part numbers as above except replace the letter "Q" with the new letter "A".

Example: Part number SS23Q30L56 is a stainless steel size-23 reducer with Quill input, 30:1 ratio, left hand output shaft and a 56C motor adapter.

Part number SS23A30L56 is the same reducer except with 3-piece coupling.

Note: Washdown accessories available in Modifications / Accessories section of Dodge gearing catalog.

The output bore for hollow reducers listed above is 1-7/16". We also offer a 1-1/4" output bore. To order, add "SD104" to the end of the part number.

Example: SS23Q30H56SD104 or SS23A30H56SD104.

Size-26 Stainless Steel Tigear-2 Reducers with Quill Input

RATIO	OUTPUT RPM	RATING DATA 1750 INPUT RPM		PART NUMBER			SHAFT POSITION
				56C	140TC	180TC	
5	350	Mechanical Input Hp	7.37		SS26Q05L14	SS26Q05L18	L
		Thermal Input Hp	8.79		SS26Q05R14	SS26Q05R18	R
		Output Torque (lb in.)	1247		SS26Q05LR14	SS26Q05LR18	LR
		Mechanical Output Hp	6.93		SS26Q05H14	SS26Q05H18	HOLLOW
		Output OHL (lbs.)	1330		SS26Q05HA14	SS26Q05HA18	HOLLOW ALT.
7.5	233	Mechanical Input Hp	5.92	SS26Q07L56	SS26Q07L14	SS26Q07L18	L
		Thermal Input Hp	6.89	SS26Q07R56	SS26Q07R14	SS26Q07R18	R
		Output Torque (lb in.)	1458	SS26Q07LR56	SS26Q07LR14	SS26Q07LR18	LR
		Mechanical Output Hp	5.47	SS26Q07H56	SS26Q07H14	SS26Q07H18	HOLLOW
		Output OHL (lbs.)	1520	SS26Q07HA56	SS26Q07HA14	SS26Q07HA18	HOLLOW ALT.
10	175	Mechanical Input Hp	4.83	SS26Q10L56	SS26Q10L14	SS26Q10L18	L
		Thermal Input Hp	5.61	SS26Q10R56	SS26Q10R14	SS26Q10R18	R
		Output Torque (lb in.)	1576	SS26Q10LR56	SS26Q10LR14	SS26Q10LR18	LR
		Mechanical Output Hp	4.37	SS26Q10H56	SS26Q10H14	SS26Q10H18	HOLLOW
		Output OHL (lbs.)	1610	SS26Q10HA56	SS26Q10HA14	SS26Q10HA18	HOLLOW ALT.
12.7	138	Mechanical Input Hp	4.08	SS26Q12L56	SS26Q12L14	SS26Q12L18	L
		Thermal Input Hp	4.72	SS26Q12R56	SS26Q12R14	SS26Q12R18	R
		Output Torque (lb in.)	1654	SS26Q12LR56	SS26Q12LR14	SS26Q12LR18	LR
		Mechanical Output Hp	3.63	SS26Q12H56	SS26Q12H14	SS26Q12H18	HOLLOW
		Output OHL (lbs.)	1610	SS26Q12HA56	SS26Q12HA14	SS26Q12HA18	HOLLOW ALT.
15	117	Mechanical Input Hp	3.62	SS26Q15L56	SS26Q15L14	SS26Q15L18	L
		Thermal Input Hp	4.15	SS26Q15R56	SS26Q15R14	SS26Q15R18	R
		Output Torque (lb in.)	1708	SS26Q15LR56	SS26Q15LR14	SS26Q15LR18	LR
		Mechanical Output Hp	3.16	SS26Q15H56	SS26Q15H14	SS26Q15H18	HOLLOW
		Output OHL (lbs.)	1610	SS26Q15HA56	SS26Q15HA14	SS26Q15HA18	HOLLOW ALT.
18	97	Mechanical Input Hp	3.05	SS26Q18L56	SS26Q18L14	SS26Q18L18	L
		Thermal Input Hp	3.73	SS26Q18R56	SS26Q18R14	SS26Q18R18	R
		Output Torque (lb in.)	1708	SS26Q18LR56	SS26Q18LR14	SS26Q18LR18	LR
		Mechanical Output Hp	2.63	SS26Q18H56	SS26Q18H14	SS26Q18H18	HOLLOW
		Output OHL (lbs.)	1610	SS26Q18HA56	SS26Q18HA14	SS26Q18HA18	HOLLOW ALT.
20	88	Mechanical Input Hp	2.71	SS26Q20L56	SS26Q20L14		L
		Thermal Input Hp	3.71	SS26Q20R56	SS26Q20R14		R
		Output Torque (lb in.)	1673	SS26Q20LR56	SS26Q20LR14		LR
		Mechanical Output Hp	2.32	SS26Q20H56	SS26Q20H14		HOLLOW
		Output OHL (lbs.)	1610	SS26Q20HA56	SS26Q20HA14		HOLLOW ALT.
25	70	Mechanical Input Hp	2.26	SS26Q25L56	SS26Q25L14		L
		Thermal Input Hp	3.00	SS26Q25R56	SS26Q25R14		R
		Output Torque (lb in.)	1677	SS26Q25LR56	SS26Q25LR14		LR
		Mechanical Output Hp	1.86	SS26Q25H56	SS26Q25H14		HOLLOW
		Output OHL (lbs.)	1610	SS26Q25HA56	SS26Q25HA14		HOLLOW ALT.
30	58	Mechanical Input Hp	2.00	SS26Q30L56	SS26Q30L14		L
		Thermal Input Hp	2.79	SS26Q30R56	SS26Q30R14		R
		Output Torque (lb in.)	1705	SS26Q30LR56	SS26Q30LR14		LR
		Mechanical Output Hp	1.58	SS26Q30H56	SS26Q30H14		HOLLOW
		Output OHL (lbs.)	1610	SS26Q30HA56	SS26Q30HA14		HOLLOW ALT.
40	44	Mechanical Input Hp	1.55	SS26Q40L56	SS26Q40L14		L
		Thermal Input Hp	2.14	SS26Q40R56	SS26Q40R14		R
		Output Torque (lb in.)	1685	SS26Q40LR56	SS26Q40LR14		LR
		Mechanical Output Hp	1.17	SS26Q40H56	SS26Q40H14		HOLLOW
		Output OHL (lbs.)	1610	SS26Q40HA56	SS26Q40HA14		HOLLOW ALT.
50	35	Mechanical Input Hp	1.32	SS26Q50L56	SS26Q50L14		L
		Thermal Input Hp	1.76	SS26Q50R56	SS26Q50R14		R
		Output Torque (lb in.)	1662	SS26Q50LR56	SS26Q50LR14		LR
		Mechanical Output Hp	0.92	SS26Q50H56	SS26Q50H14		HOLLOW
		Output OHL (lbs.)	1610	SS26Q50HA56	SS26Q50HA14		HOLLOW ALT.
60	29	Mechanical Input Hp	1.08	SS26Q60L56	SS26Q60L14		L
		Thermal Input Hp	1.57	SS26Q60R56	SS26Q60R14		R
		Output Torque (lb in.)	1547	SS26Q60LR56	SS26Q60LR14		LR
		Mechanical Output Hp	0.72	SS26Q60H56	SS26Q60H14		HOLLOW
		Output OHL (lbs.)	1610	SS26Q60HA56	SS26Q60HA14		HOLLOW ALT.

3-PIECE COUPLED INPUT STYLE IS ALSO AVAILABLE FOR TIGEAR-2 STAINLESS STEEL REDUCERS

For 3-piece coupled input, use same part numbers as above except replace the letter "Q" with the new letter "A".

Example: Part number SS26Q30L56 is a stainless steel size-26 reducer with Quill input, 30:1 ratio, left hand output shaft and a 56C motor adapter.

Part number SS26A30L56 is the same reducer except with 3-piece coupling.

Note: Washdown accessories available in Modifications / Accessories section of Dodge gearing catalog.

The output bore for hollow reducers listed above is 1-7/16". We also offer a 1-1/4" output bore. To order, add "SD104" to the end of the part number.

Example: SS26Q30H56SD104 or SS26A30H56SD104.

Size-30 Stainless Steel Tigear-2 Reducers with Quill Input

RATIO	OUTPUT RPM	RATING DATA 1750 INPUT RPM		PART NUMBER			SHAFT POSITION
				56C	140TC	180TC	
5	350	Mechanical Input Hp	10.84		SS30Q05L14	SS30Q05L18	L
		Thermal Input Hp	12.53		SS30Q05R14	SS30Q05R18	R
		Output Torque (lb in.)	1849		SS30Q05LR14	SS30Q05LR18	LR
		Mechanical Output Hp	10.27		SS30Q05H14	SS30Q05H18	HOLLOW
		Output OHL (lbs.)	1330				
7.5	233	Mechanical Input Hp	8.74		SS30Q07L14	SS30Q07L18	L
		Thermal Input Hp	9.64		SS30Q07R14	SS30Q07R18	R
		Output Torque (lb in.)	2171		SS30Q07LR14	SS30Q07LR18	LR
		Mechanical Output Hp	8.15		SS30Q07H14	SS30Q07H18	HOLLOW
		Output OHL (lbs.)	1540				
10	175	Mechanical Input Hp	7.11		SS30Q10L14	SS30Q10L18	L
		Thermal Input Hp	7.85		SS30Q10R14	SS30Q10R18	R
		Output Torque (lb in.)	2347		SS30Q10LR14	SS30Q10LR18	LR
		Mechanical Output Hp	6.52		SS30Q10H14	SS30Q10H18	HOLLOW
		Output OHL (lbs.)	1720				
15	117	Mechanical Input Hp	5.00		SS30Q15L14	SS30Q15L18	L
		Thermal Input Hp	5.72		SS30Q15R14	SS30Q15R18	R
		Output Torque (lb in.)	2371		SS30Q15LR14	SS30Q15LR18	LR
		Mechanical Output Hp	4.39		SS30Q15H14	SS30Q15H18	HOLLOW
		Output OHL (lbs.)	2300				
20	88	Mechanical Input Hp	3.81	SS30Q20L56	SS30Q20L14	SS30Q20L18	L
		Thermal Input Hp	4.52	SS30Q20R56	SS30Q20R14	SS30Q20R18	R
		Output Torque (lb in.)	2345	SS30Q20LR56	SS30Q20LR14	SS30Q20LR18	LR
		Mechanical Output Hp	3.26	SS30Q20H56	SS30Q20H14	SS30Q20H18	HOLLOW
		Output OHL (lbs.)	2300				
25	70	Mechanical Input Hp	3.05	SS30Q25L56	SS30Q25L14	SS30Q25L18	L
		Thermal Input Hp	3.90	SS30Q25R56	SS30Q25R14	SS30Q25R18	R
		Output Torque (lb in.)	2284	SS30Q25LR56	SS30Q25LR14	SS30Q25LR18	LR
		Mechanical Output Hp	2.54	SS30Q25H56	SS30Q25H14	SS30Q25H18	HOLLOW
		Output OHL (lbs.)	2300				
30	58	Mechanical Input Hp	2.75	SS30Q30L56	SS30Q30L14		L
		Thermal Input Hp	3.58	SS30Q30R56	SS30Q30R14		R
		Output Torque (lb in.)	2417	SS30Q30LR56	SS30Q30LR14		LR
		Mechanical Output Hp	2.24	SS30Q30H56	SS30Q30H14		HOLLOW
		Output OHL (lbs.)	2300				
40	44	Mechanical Input Hp	2.09	SS30Q40L56	SS30Q40L14		L
		Thermal Input Hp	2.87	SS30Q40R56	SS30Q40R14		R
		Output Torque (lb in.)	2324	SS30Q40LR56	SS30Q40LR14		LR
		Mechanical Output Hp	1.61	SS30Q40H56	SS30Q40H14		HOLLOW
		Output OHL (lbs.)	2300				
50	35	Mechanical Input Hp	1.75	SS30Q50L56	SS30Q50L14		L
		Thermal Input Hp	2.34	SS30Q50R56	SS30Q50R14		R
		Output Torque (lb in.)	2257	SS30Q50LR56	SS30Q50LR14		LR
		Mechanical Output Hp	1.25	SS30Q50H56	SS30Q50H14		HOLLOW
		Output OHL (lbs.)	2300				
60	29	Mechanical Input Hp	1.50	SS30Q60L56	SS30Q60L14		L
		Thermal Input Hp	2.01	SS30Q60R56	SS30Q60R14		R
		Output Torque (lb in.)	2138	SS30Q60LR56	SS30Q60LR14		LR
		Mechanical Output Hp	0.99	SS30Q60H56	SS30Q60H14		HOLLOW
		Output OHL (lbs.)	2300				

3-PIECE COUPLED INPUT STYLE IS ALSO AVAILABLE FOR TIGEAR-2 STAINLESS STEEL REDUCERS

For 3-piece coupled input, use same part numbers as above except replace the letter "Q" with the new letter "A".

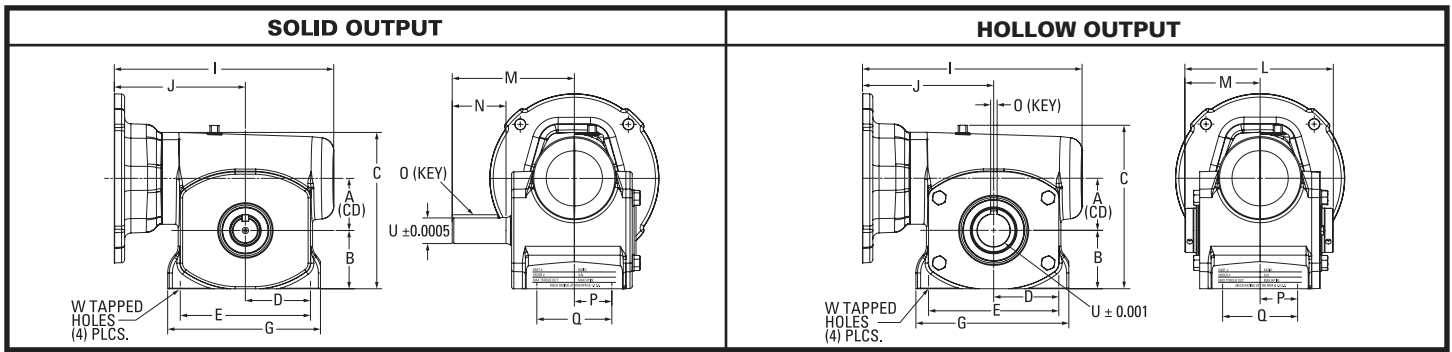
Example: Part number SS30Q15L14 is a stainless steel size-30 reducer with Quill input, 15:1 ratio, left hand output shaft and a 140TC motor adapter.

Part number SS30A15L14 is the same reducer except with 3-piece coupled input style.

Note: Washdown accessories available in Modifications / Accessories section of Dodge gearing catalog.

The output bore for hollow reducers listed above is 1-15/16". We also offer a 1-1/4" output bore. To order, add "SD104" to the end of the part number.
Example: SS30Q30H56SD104 or SS30A30H56SD104.

QUILL



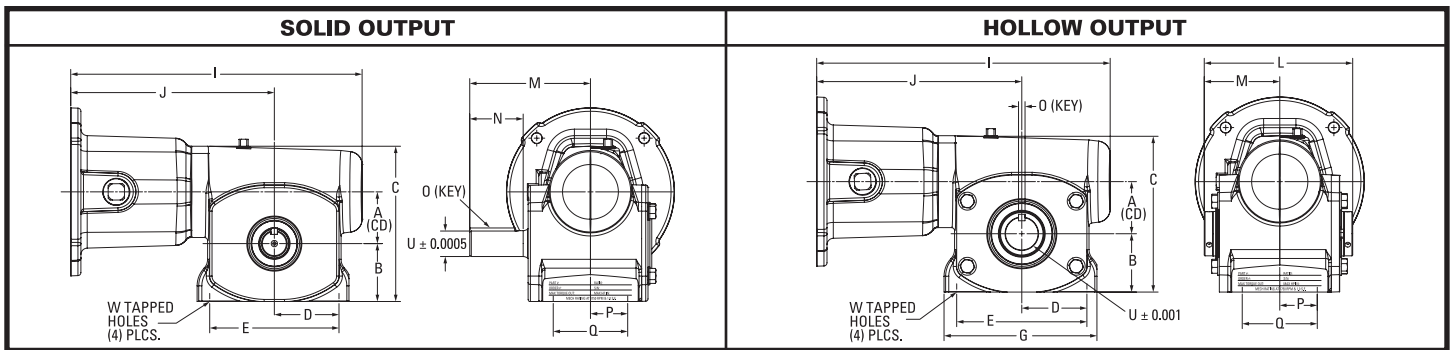
Quill Input With Solid Output

Size	A	B	C	D	E	G	I		J		M	N	O	P	Q	U	W	
							56C/140TC	180TC	56C/140TC	180TC							+	-
17	1.75	1.99	5.85	2.09	4.19	5.50	8.09	N/A	4.92	N/A	4.31	1.74	3/16 SQ. x 1.50 KEY	1.38	2.75	0.874	5/16-18	0.75
20	2.00	2.24	6.35	2.50	5.00	6.12	8.47	N/A	5.02	N/A	4.69	2.11	1/4 SQ. x 1.75 KEY	1.44	2.88	0.999	3/8-16	0.75
23	2.31	2.50	7.38	2.50	5.00	6.76	9.12	9.94	5.47	6.29	5.14	2.18	1/4 SQ. x 1.98 KEY	1.44	2.88	1.124	3/8-16	0.69
26	2.63	2.87	8.36	3.19	6.38	7.26	9.37	10.18	5.51	6.32	5.63	2.67	1/4 SQ. x 2.35 KEY	1.69	3.38	1.124	3/8-16	0.69
30	3.00	3.25	8.88	3.50	7.00	8.24	10.58	11.39	6.12	6.93	6.75	3.20	5/16 SQ. x 3.00 KEY	2.00	4.00	1.374	7/16-14	0.88

Quill Input With Hollow Output

Size	A	B	C	D	E	G	I		J		L	M	O	P	Q	U	W	
							56C/140TC	180TC	56C/140TC	180TC							+	-
17	1.75	1.99	5.85	2.09	4.19	5.50	8.09	N/A	4.92	N/A	5.41	2.71	1/4 x 0.22 x 1.50 KEY	1.38	2.75	1.001	5/16-18	0.75
20	2.00	2.24	6.35	2.50	5.00	6.12	8.47	N/A	5.02	N/A	5.70	2.85	1/4 x 1/4 x 1.75 KEY	1.44	2.88	1.251	3/8-16	0.75
20 ALT.	2.00	2.24	6.35	2.50	5.00	6.12	8.47	N/A	5.02	N/A	5.70	2.85	1/4 x 1/4 x 1.75 KEY	1.44	2.88	1.189	3/8-16	0.75
23	2.31	2.50	7.38	2.50	5.00	6.76	9.12	9.94	5.47	6.29	6.62	3.31	3/8 x 0.31 x 2.20 KEY	1.44	2.88	1.439	3/8-16	0.69
23 ALT.	2.31	2.50	7.38	2.50	5.00	6.76	9.12	9.94	5.47	6.29	6.62	3.31	3/8 x 0.28 x 2.20 KEY	1.44	2.88	1.501	3/8-16	0.69
26	2.63	2.87	8.36	3.19	6.38	7.26	9.37	10.18	5.51	6.32	6.62	3.31	3/8 x 0.31 x 2.20 KEY	1.69	3.38	1.439	3/8-16	0.69
26 ALT.	2.63	2.87	8.36	3.19	6.38	7.26	9.37	10.18	5.51	6.32	6.62	3.31	3/8 x 0.28 x 2.20 KEY	1.69	3.38	1.689	3/8-16	0.69
30	3.00	3.25	8.88	3.50	7.00	8.24	10.58	11.39	6.12	6.93	7.76	3.88	1/2 x 0.44 x 3.00 KEY	2.00	4.00	1.939	7/16-14	0.88

3-PIECE COUPLED



3-Piece Coupled Input With Solid Output

Size	A	B	C	D	E	G	I		J		M	N	O	P	Q	U	W	
							56C/140TC	180TC	56C/140TC	180TC							+	-
17	1.75	1.99	5.85	2.09	4.19	5.50	10.92	N/A	7.75	N/A	4.31	1.74	3/16 SQ. x 1.50 KEY	1.38	2.75	0.874	5/16-18	0.75
20	2.00	2.24	6.35	2.50	5.00	6.12	11.30	N/A	7.85	N/A	4.69	2.11	1/4 SQ. x 1.75 KEY	1.44	2.88	0.999	3/8-16	0.75
23	2.31	2.50	7.38	2.50	5.00	6.76	12.25	12.98	8.60	9.33	5.14	2.18	1/4 SQ. x 1.98 KEY	1.44	2.88	1.124	3/8-16	0.69
26	2.63	2.87	8.36	3.19	6.38	7.26	12.49	13.22	8.63	9.36	5.63	2.67	1/4 SQ. x 2.35 KEY	1.69	3.38	1.124	3/8-16	0.69
30	3.00	3.25	8.88	3.50	7.00	8.24	13.70	14.43	9.24	9.97	6.75	3.20	5/16 SQ. x 3.00 KEY	2.00	4.00	1.374	7/16-14	0.88

3-Piece Coupled Input With Hollow Output

Size	A	B	C	D	E	G	I		J		L	M	O	P	Q	U	W	
							56C/140TC	180TC	56C/140TC	180TC							+	-
17	1.75	1.99	5.85	2.09	4.19	5.50	10.92	N/A	7.75	N/A	5.41	2.71	1/4 x 0.22 x 1.50 KEY	1.38	2.75	1.001	5/16-18	0.75
20	2.00	2.24	6.35	2.50	5.00	6.12	11.30	N/A	7.85	N/A	5.70	2.85	1/4 x 1/4 x 1.75 KEY	1.44	2.88	1.251	3/8-16	0.75
20 ALT.	2.00	2.24	6.35	2.50	5.00	6.12	11.30	N/A	7.85	N/A	5.70	2.85	1/4 x 1/4 x 1.75 KEY	1.44	2.88	1.189	3/8-16	0.75
23	2.31	2.50	7.38	2.50	5.00	6.76	12.25	12.98	8.60	9.33	6.62	3.31	3/8 x 0.31 x 2.20 KEY	1.44	2.88	1.439	3/8-16	0.69
23 ALT.	2.31	2.50	7.38	2.50	5.00	6.76	12.25	12.98	8.60	9.33	6.62	3.31	3/8 x 0.28 x 2.20 KEY	1.44	2.88	1.501	3/8-16	0.69
26	2.63	2.87	8.36	3.19	6.38	7.26	12.49	13.22	8.63	9.36	6.62	3.31	3/8 x 0.31 x 2.20 KEY	1.69	3.38	1.439	3/8-16	0.69
26 ALT.	2.63	2.87	8.36	3.19	6.38	7.26	12.49	13.22	8.63	9.36	6.62	3.31	3/8 x 0.28 x 2.20 KEY	1.69	3.38	1.689	3/8-16	0.69
30	3.00	3.25	8.88	3.50	7.00	8.24	13.70	14.43	9.24	9.97	7.76	3.88	1/2 x 0.44 x 3.00 KEY	2.00	4.00	1.939	7/16-14	0.88



Baldor Electric Company • P.O. Box 2400 • Fort Smith, AR 72902-2400 U.S.A. • Ph: (1) 479.646.4711

Baldor - Dodge

6040 Ponders Court • Greenville, SC 29615-4617 U.S.A. • Ph: (1) 864.297.4800

www.baldor.com