

PS1200 PARALLEL SHAFT GEARMOTORS

OPTIMAL PERFORMANCE – SUPERIOR RELIABILITY

Baldor's PS1200 is engineered for optimal performance and superior reliability. The gear and bearing sets are designed to meet or exceed AGMA standards, and provide a 25,000 hour average life, 5,000 L-10 with an AGMA Class I load classification.

APPLICATIONS:

- Food and beverage equipment
- Material handling equipment
- Packaging machinery
- Machine tools
- Conveyors

FEATURES:

- Available in single phase, three phase, inverter duty, and permanent magnet DC designs
- All needle bearing construction for increased torque and overhung load capabilities
- Self-lubricated Viton lip seals on input and output with high performance friction modifier for superior seal life and oil retention
- Baldor exclusive needle bearing oiling channels ensure adequate lubrication for increased bearing life
- Permanently lubricated with synthetic gear oil for long service life
- Non-vented housing for flexible mounting orientation
- Industry standard dimensions for ease of installation
- 100 – 1,100 in-lbs. output torque
- 5 – 284 output RPM



BALDOR

A MEMBER OF THE ABB GROUP

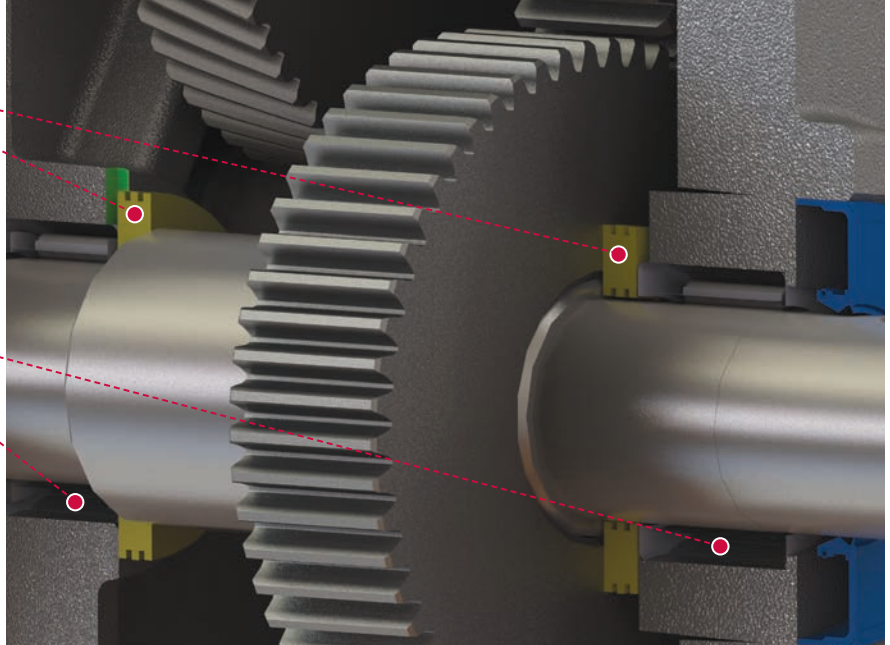
PS1200 PARALLEL SHAFT GEARMOTORS

GREATER TORQUE & OVERHUNG LOAD

All needle bearing construction with cylindrical roller thrust bearings reduce friction allowing superior torque transmission and greater overhung load capability.

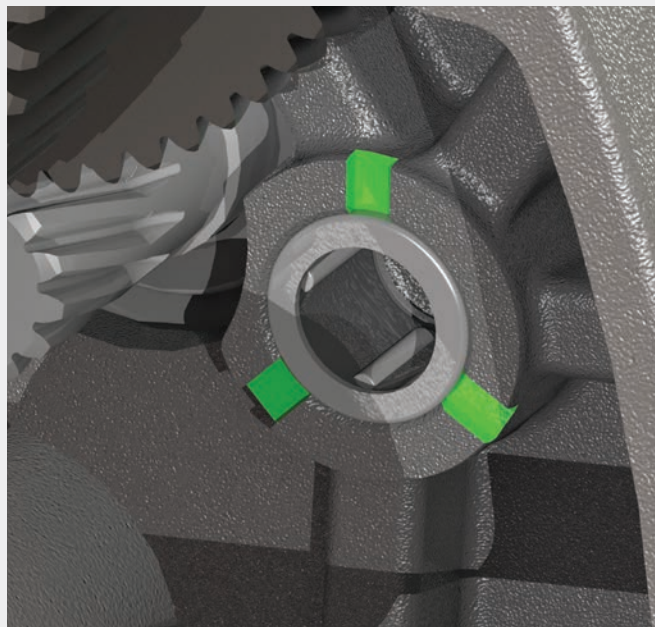
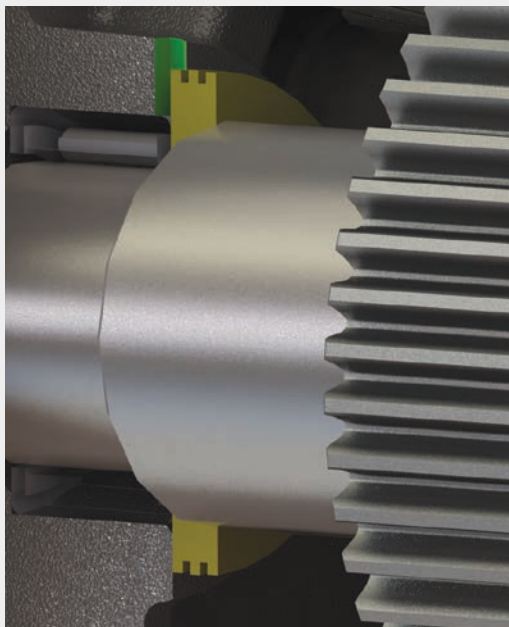
Cylindrical roller thrust bearings

Needle bearings



SUPERIOR BEARING LUBRICATION

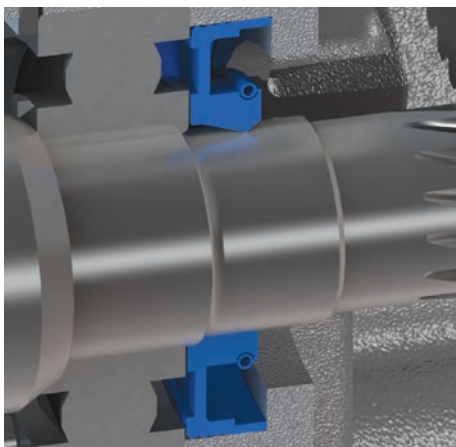
Each needle bearing has a machined triple channel system to allow proper lubrication of the needle bearing. Proper lubrication ensures low maintenance and longer service life. The single channel located above the output allows the gear oil to freely enter the bearing while the two lower channels provide adequate draining for proper oil circulation.



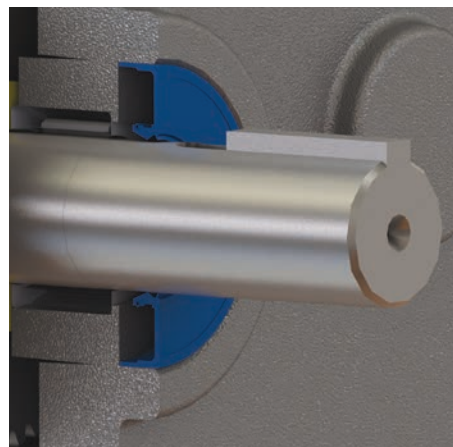
PS1200 PARALLEL SHAFT GEARMOTORS

ADVANCED SEAL TECHNOLOGY

A self-lubricated Viton oil seal is standard on both the input and output shafts. The Viton oil seal utilizes high performance friction modifiers to minimize seal friction, allowing Baldor® to provide a unit with a smaller overall footprint due to reduced mechanical losses. Along with reduced friction comes extended seal life allowing end users to enjoy a long leak free service life.



Internal self-lubricated Viton oil seal on the input shaft extension



External self-lubricated Viton seal on the output shaft extension

PS1200 RATINGS

FIXED SPEED AC

OUTPUT RPM 50/60 HZ.	MAX. SAFE TORQUE IN. LBS.	INPUT HP	RATIO:1	OHL (LBS.)	CATALOG NUMBER	LIST PRICE	MULT. SYM.	AP'X. SHPG. WGT.	MOTOR TYPE & GEAR STYLE	VOLTAGE
SINGLE PHASE - SPLIT PHASE										
5	1092	1/6	316	502	GCP12316	1,008	DS	26	3414S-PS12	115/230
8	1092	1/6	210	545	GCP12210	1,008	DS	26	3414S-PS12	115/230
12	1092	1/4	145	442	GCP12145	1,021	DS	28	3418S-PS12	115/230
18	815	1/4	96	395	GCP12096	1,021	DS	28	3418S-PS12	115/230
21	690	1/4	82	285	GCP12082	1,021	DS	28	3418S-PS12	115/230
40	490	1/3	44	339	GCP12044	1,012	DS	28	3421S-PS12	115/230
60	509	1/2	29	326	GCP12029	1,103	DS	30	3424S-PS12	115/230
92	327	1/2	19	311	GCP12019	1,103	DS	30	3424S-PS12	115/230
131	229	1/2	13	292	GCP12013	1,103	DS	30	3424S-PS12	115/230
156	192	1/2	11	282	GCP12011	1,103	DS	30	3424S-PS12	115/230
284	105	1/2	6	245	GCP12006	1,103	DS	30	3424S-PS12	115/230
THREE PHASE										
12	1092	1/4	145	442	GMP12145	1,100	DS	35	3416M-PS12	208-230/460
18	1076	1/3	96	395	GMP12096	1,100	DS	35	3416M-PS12	208-230/460
21	911	1/3	82	285	GMP12082	1,100	DS	35	3416M-PS12	208-230/460
40	742	1/2	44	339	GMP12044	1,143	DS	40	3420M-PS12	208-230/460
60	509	1/2	29	326	GMP12029	1,143	DS	40	3420M-PS12	208-230/460
92	327	1/2	19	311	GMP12019	1,143	DS	40	3420M-PS12	208-230/460
131	229	1/2	13	292	GMP12013	1,143	DS	40	3420M-PS12	208-230/460
156	192	1/2	11	282	GMP12011	1,143	DS	40	3420M-PS12	208-230/460
284	105	1/2	6	245	GMP12006	1,143	DS	40	3420M-PS12	208-230/460

NOTE: Vertical motor below gearhead not recommended.

PS1200 RATINGS (CONTINUED)

VARIABLE SPEED AC

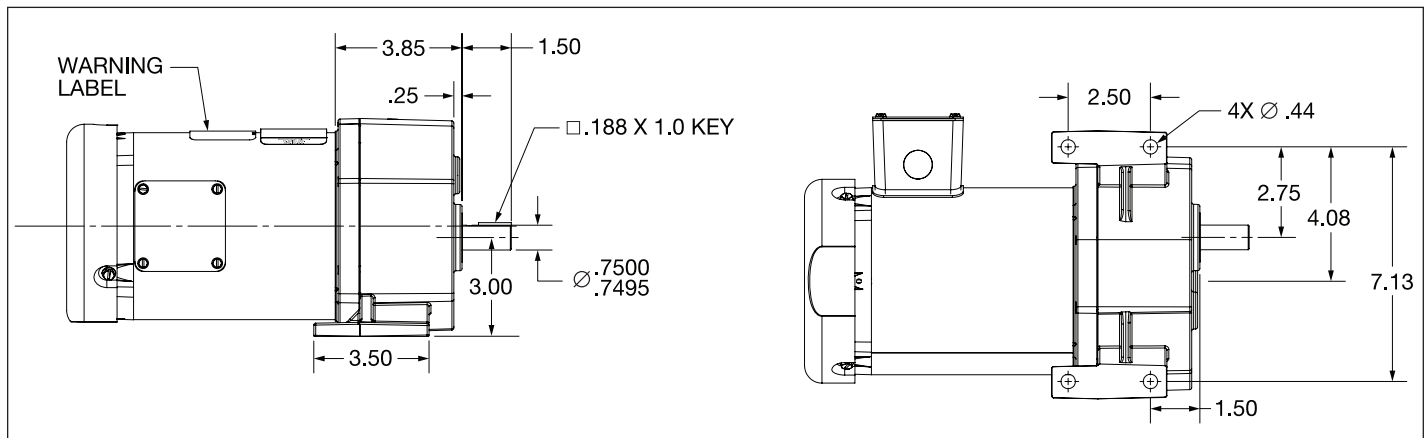
OUTPUT RPM 50/60 HZ.	MAX. SAFE TORQUE IN. LBS.	SPEED RANGE (CT)	INPUT HP	RATIO:1	OHL (LBS.)	CATALOG NUMBER	LIST PRICE	MULT. SYM.	AP'X. SHPG. WGT.	MOTOR TYPE & GEAR STYLE	VOLTAGE
THREE PHASE - INVERTER DUTY											
12	1092	4 - 18	1/4	145	442	IDGMP12145	1,265	E2	35	3416M-PS12	230
18	1076	6 - 27	1/3	96	395	IDGMP12096	1,265	E2	35	3416M-PS12	230
21	911	7 - 32	1/3	82	285	IDGMP12082	1,265	E2	35	3416M-PS12	230
40	742	13 - 59	1/2	44	339	IDGMP12044	1,314	E2	40	3420M-PS12	230
60	509	20 - 89	1/2	29	326	IDGMP12029	1,314	E2	40	3420M-PS12	230
92	327	30 - 135	1/2	19	311	IDGMP12019	1,314	E2	40	3420M-PS12	230
131	229	44 - 198	1/2	13	292	IDGMP12013	1,314	E2	40	3420M-PS12	230
156	192	52 - 234	1/2	11	282	IDGMP12011	1,314	E2	40	3420M-PS12	230
284	105	96 - 430	1/2	6	245	IDGMP12006	1,314	E2	40	3420M-PS12	230

PERMANENT MAGNET DC

OUTPUT RPM 50/60 HZ.	MAX. SAFE TORQUE IN. LBS.	INPUT HP	RATIO:1	OHL (LBS.)	CATALOG NUMBER	LIST PRICE	MULT. SYM.	AP'X. SHPG. WGT.	MOTOR TYPE & GEAR STYLE	VOLTAGE D.C. ARMATURE	FULL LOAD AMPERAGE ARMATURE
90 VDC											
9	1092	1/6	284	403	GPP129284	1,192	DS	35	XXXXP-PS12	90	1.80
14	934	1/4	173	456	GPP129173	1,206	DS	36	XXXXP-PS12	90	2.50
20	666	1/4	123	460	GPP129123	1,206	DS	36	XXXXP-PS12	90	2.50
43	317	1/4	60	427	GPP129060	1,206	DS	36	XXXXP-PS12	90	2.50
62	231	1/4	40	424	GPP129040	1,176	DS	36	XXXXP-PS12	90	2.50
93	153	1/4	27	357	GPP129027	1,176	DS	36	XXXXP-PS12	90	2.50
148	96	1/4	17	285	GPP129017	1,176	DS	36	XXXXP-PS12	90	2.50
180 VDC											
9	1092	1/6	284	403	GPP128284	1,192	DS	35	XXXXP-PS12	180	1.00
14	934	1/4	173	456	GPP128173	1,206	DS	36	XXXXP-PS12	180	1.30
20	666	1/4	123	460	GPP128123	1,206	DS	36	XXXXP-PS12	180	1.30
43	317	1/4	60	427	GPP128060	1,206	DS	36	XXXXP-PS12	180	1.30
62	231	1/4	40	424	GPP128040	1,176	DS	36	XXXXP-PS12	180	1.30
93	153	1/4	27	357	GPP128027	1,176	DS	36	XXXXP-PS12	180	1.30
148	96	1/4	17	285	GPP128017	1,176	DS	36	XXXXP-PS12	180	1.30

NOTE: Vertical motor below gearhead not recommended.

For permanent magnet DC motor type, contact your local Baldor-Reliance sales representative.



FOR CUSTOM DESIGNS PLEASE CONTACT YOUR LOCAL BALDOR•RELIANCE® SALES REPRESENTATIVE.

BALDOR

A MEMBER OF THE ABB GROUP

Baldor Electric Company

P.O. Box 2400 • Fort Smith, AR 72902-2400 U.S.A.

Phone (479) 646-4711 • Fax (479) 648-5792

www.baldor.com