

C-Face kits for field conversion

NEMA AC motors



Features:

Complete kits with all hardware necessary for converting Baldor-Reliance® 56 through 449T frame rigid base motors to “C-Face” mounting with base. For factory conversion, refer to the Mod Express® section in this catalog. Please furnish the motor specification number when ordering. NEMA “BA” dimension will be non-standard after conversion on NEMA 143-5T, 182-4T, 213-5T and 254-6T frame motors.

Catalog Number	Description Frame (Baldor-Reliance type)	Enclosure	Bearing	List Price	Disc. Sym.	Ap'x. Shpg. Wgt.	
Enclosed – General purpose							
34-3900T	48C (34)	TEFC	6203	60	SVC	1	
34-171	56C (34)	TEFC	6203	60	SVC	2	
34-3300FD	56C (34) w/Lip Seal	TEFC	6203	69	SVC	2	
34-3903T	143-5TC (34)	TEFC	6205	76	SVC	2	
34-3903T-GLD	143-5TC (34)	TEFC	6205	76	SVC	2	
35-8762	56C,143-5TC (35)	TEFC	6205	85	SVC	3	
35-8762GLD	56C,143-5TC (35)	TEFC	6205	85	SVC	3	
35-3304	182-4TC (35)	TEFC	6206	85	SVC	4	
35-1300	56C,143-5TC (35)	TEFC	6205	120	SVC	6	
35-1300GLD	56C,143-5TC (35)	TEFC	6205	120	SVC	6	
35-3300FD	56C, 143-5TC (35) w/lip seal	TEFC	6205	138	SVC	6	
35-1325	182-4TC (35)	TEFC	6206	154	SVC	11	
35-1325GLD	182-4TC (35)	TEFC	6206	154	SVC	11	
36-1037	182-4C (36)	TEFC	6206	137	SVC	8	
36-1037GLD	182-4C (36)	TEFC	6206	137	SVC	7	
36-3303FD	182-4C (36) w/lip seal	TEFC	6206	158	SVC	8	
36-3303FDA	182-4C (36) w/lip seal & eyebolt prevision	TEFC	6206	158	SVC	8	
36-3301	182-4TC (36)	TEFC	6206	99	SVC	5	
36-3301GLD	182-4TC (36)	TEFC	6206	99	SVC	5	
36-1749	182-4TC (36)	TEFC	6206	173	SVC	12	
36-3301FD	182-4TC (36) w/lip seal	TEFC	6206	198	SVC	12	
36-3301FDA	182-4TC (36) w/lip seal & eyebolt prevision	TEFC	6206	198	SVC	12	
36-1749GLD	182-4TC (36)	TEFC	6206	173	SVC	12	
37-1304	213-5C, TC (37)	TEFC	6307	192	SVC	12	
37-1304GLD	213-5C, TC (37)	TEFC	6307	192	SVC	12	
37-3301FD	213-5C, TC (37) w/lip seal	TEFC	6307	221	SVC	12	
37-1302	254-6UC, TC (37)	TEFC	6309	292	SVC	18	
37-1302GLD	254-6UC, TC (37)	TEFC	6309	292	SVC	18	
09-1309GLD	254-6UC, TC (09)	●	TEFC	6309	394	SVC	22
09-1310GLD	284-6UC, TC (09)	●	TEFC	6311	596	SVC	22
10-1304GLD	324-6UC, TC (10)	●	TEFC	6312	483	SVC	32
10-1305GLD	284-6UC, TC (10)	●	TEFC	6311	457	SVC	32
12-1105GLD	324-6UC, TC (12)	●	TEFC	6312	563	SVC	48
44-1402	404-5UC, TC (44)	**	TEFC	6316 4 & 6 pole	1,086	SVC	120
44-1402GLD	404-5UC, TC (44)	**	TEFC	6316 4 & 6 pole	1,086	SVC	120
44-1403	404-5UC, TSC (44)	**	TEFC	6313 2 pole	1,086	SVC	120
44-1403GLD	404-5UC, TSC (44)	**	TEFC	6313 2 pole	1,086	SVC	120
Enclosed – Severe duty							
09-1309	254-6UC, TC (09)	●	TEFC	6309	394	SVC	22
09-1310	284-6UC, TC (09)	●	TEFC	6311	596	SVC	22
10-1304	324-6UC, TC (10)	●	TEFC	6312	483	SVC	32
10-1305	284-6UC, TC (10)	●	TEFC	6311	457	SVC	32
12-1105	324-6UC, TC (12)	●	TEFC	6312	563	SVC	48
K36G2	364-5UC, TC	●	TEFC	6313	730	SVC	69
K40G2	404-5UC, TC E-line design	●	TEFC	6316	1,086	SVC	69

Note: Specification number of motor should be verified when ordering.

Kits that have catalog numbers ending in “GLD” are for use on Super-E® gold motors.

● = Suitable only for field conversion of motors manufactured with external rabbets on the stator housings.

** = Usable on catalog motors that have footnote #56.

* = Contact your local sales office with nameplate specification number to determine correct kit.

For more information visit baldor.com or new.abb.com/motors-generators

C-Face kits for field conversion – NEMA AC motors

Catalog Number	Description Frame (Baldor-Reliance type)	Enclosure	Bearing	List Price	Disc. Sym.	Ap'x. Shpg. Wgt.
Enclosed – Severe duty (continued)						
K40G71	404-5UC, TC G series design	TEFC	6316	1,665	SVC	75
K40G70	404-5UC, TC G series design ●	TEFC	6313	1,086	SVC	30
K44G50	444-5UC, TC E-line design	TEFC	6313	844	SVC	40
K44G51	447-9UC,TC E-line design	TEFC	6313	844	SVC	40
K44G70	444-9UC, TC G series design	TEFC	6313	1,665	SVC	40
K44G71	444-9UC, TC G series design *	TEFC	6318, 4 & 6 pole	1,765	SVC	249
Enclosed – Crusher duty ***						
09-9154CR	254-6TC, Crusher duty	TEFC	6311	437	SVC	22
10-9254CR	284-6TC, Crusher duty	TEFC	6312	517	SVC	32
12-9404CR	324-6TC, Crusher duty	TEFC	6313	657	SVC	48
Enclosed – IEEE-841						
10-1305ECP8	284-6TC, IEEE-841 (10) ●	TEFC	6311	894	SVC	32
12-1105ECP8	324-6TC, IEEE-841 (12)	TEFC	6312	1,124	SVC	48
K36G801	364-5TC IEEE-841	TEFC	6313	1,298	SVC	75
K40G802	404-5TC G series design: IEEE-841 ●	TEFC	6316	1,722	SVC	30
K40G801	404-5TC G series design: IEEE-841 **	TEFC	6313	2,448	SVC	113
K44G801	444-9UC, TC G series design: IEEE-841	TEFC	6313	2,448	SVC	40
K44G802	444-9UC, TC G series design: IEEE-841 *	TEFC	6318, 4 & 6 pole	2,448	SVC	251
Open						
34-3903A	143-5TC (34)	ODP	6205	73	SVC	2
34-3903A-GLD	143-5TC (34)	ODP	6205	73	SVC	2
35-8764	56C,143-5TC (35)	ODP	6205	77	SVC	3
35-8764GLD	56C,143-5TC (35)	ODP	6205	77	SVC	3
35-1409	182-4TC (35)	ODP	6206	172	SVC	11
35-1409GLD	182-4TC (35)	ODP	6206	172	SVC	11
36-1206A	213-5TC (36)	OPSB	6207	176	SVC	13
36-1206A-GLD	213-5TC (36)	OPSB	6207	176	SVC	13
36-1206B	213-5TC (36)	ODP	6207	186	SVC	14
36-1206B-GLD	213-5TC (36)	ODP	6207	186	SVC	14
36-486	182-4C (36)	ODP	6206	194	SVC	8
36-486GLD	182-4C (36)	ODP	6206	194	SVC	8
36-3403	182-4TC (36)	ODP	6206	116	SVC	5
36-3403GLD	182-4TC (36)	ODP	6206	116	SVC	5
37-1404	213-5C, TC (37)	ODP	6307	254	SVC	14
37-1404GLD	213-5C, TC (37)	ODP	6307	254	SVC	14
37-1402	254-6UC, TC (37)	ODP	6309	274	SVC	18
37-1402GLD	254-6UC, TC (37)	ODP	6309	274	SVC	18
39-3400	254-6UC, TC (39)	ODP	6309	256	SVC	19
39-1403	284-6UC, TC (39)	ODP	6311	411	SVC	21
39-1403GLD	284-6UC, TC (39)	ODP	6311	411	SVC	21
40-1400	284-6UC, TC (40)	ODP	6311	417	SVC	30
40-1400GLD	284-6UC, TC (40)	ODP	6311	417	SVC	30
40-1401	324-6 UC, TC (40) ●	ODP	6312	469	SVC	40
40-1401GLD	324-6 UC, TC (40) ●	ODP	6312	469	SVC	40
42-1300	324-6UC, TC (42) ●	ODP	6312	750	SVC	36
42-1300GLD	324-6UC, TC (42) ●	ODP	6312	750	SVC	36
42-1400	364-5UC, TC (42) ●	ODP	6313	730	SVC	30
42-1400GLD	364-5UC, TC (42) ●	ODP	6313	730	SVC	30
44-1403A	404-5USC, TSC (44)	ODP	6316	844	SVC	40
44-1403A-GLD	404-5USC, TSC (44)	ODP	6316	844	SVC	40

Note: Specification number of motor should be verified when ordering.

Kits that have catalog numbers ending in "GLD" are for use on Super-E® gold motors.

● = Suitable only for field conversion of motors manufactured with external rabbets on the stator housings.

*** = For Crusher duty frames 360 and above, use Severe duty kits.

** = Usable on catalog motors that have footnote #56.

* = Contact your local sales office with nameplate specification number to determine correct kit.

Definite purpose

Unit Handling

Brake

IEC Frame

50 Hertz

Variable Speed AC

DC

Accessories

Service

Grinders

C-Face kits for field conversion

NEMA DC SCR drive motor



Features: For non-laminated frame DC motors with catalog numbers ending in "P".

Catalog Number	Frame	Bearing	Enclosure	List Price	Disc. Sym.	Ap'x Shpg. Wgt.
180-5002	180ATC	6206	Drip-Proof	903	SVC	18
210-5001	210ATC	6207	Drip Proof or Totally Enclosed	1,193	SVC	12
250-5001	250ATC	6209	Drip Proof of Totally Enclosed	1,668	SVC	75
280-5002	280ATC	6210	Drip Proof	2,343	SVC	57
320-5002	320ATC	6211	Drip Proof	3,080	SVC	87

Double C-Face motor brake kits

Coil voltage: 115/208-230



Features: Double C-Face coupler brakes. Mounts on motors with C-Face, provides NEMA C-Face mounting on brake. Spring set, electrically released.

Brake Rating	Brake Mounting	Catalog Number	List Price	Disc. Sym.	Ap'x. Shpg. Wgt.
3 ft-lb	56C	CBK003-1	670	SVC	12
6 ft-lb	56C	CBK006-1	986	SVC	12
6 ft-lb	145TC	CBK006-2	986	SVC	12
10 ft-lb	145TC	CBK010-1	1,150	SVC	12
15 ft-lb	145TC	CBK015-1	1,725	SVC	12

Conduit box kits



Frame Size	Catalog Number	List Price	Disc. Sym.	Ap'x Shpg. Wgt. Lbs.
Conduit box kit – standard size				
42	33CB5000A01SP	40	SVC	1
48	34CB5001A01SP	39	SVC	1
48	34CB5001A01SP-GLD	39	SVC	1
56 - 143-5T	35CB5001A01SP	42	SVC	1
56 - 143-5T	35CB5001A01SP-GLD	42	SVC	1
182T-4T	36CB5001A01SP	45	SVC	1
182T-4T	36CB5001A01SP-GLD	45	SVC	1
182T-4T	36CB5001A06SP	50	SVC	2
182T-4T	36CB5001A06SP-GLD	50	SVC	2
182T-4T	36CB5001A07SP	70	SVC	2
213T-5T	37CB5002A06SP	50	SVC	3
213T-5T	37CB5002A06SP-GLD	50	SVC	3
213T-5T	37CB5002A07SP	50	SVC	4
213T-5T	37CB5002A07SP-GLD	50	SVC	4
184T,215T,254-6	09CB5001A01SP	82	SVC	3
184T,215T,254-6	09CB5001A01SP-GLD	82	SVC	3
184T,215T,254-6	09CB5001A15SP	69	SVC	3
184T,215T,254-6	09CB5001A15SP-GLD	69	SVC	3
254-6T,284-6,324-6	10CB5001A01SP	119	SVC	6
254-6T,284-6,324-6	10CB5001A01SP-GLD	119	SVC	6
254-6T,284-6,324-6	10CB5002A01SP	132	SVC	4
254-6T,284-6,324-6	10CB5002A01SP-GLD	132	SVC	4
360T - Cast Iron	K36G8	365	SVC	22
400T - Cast Iron	K40G8	365	SVC	35
440T - Cast Iron	K44G8	375	SVC	55
56-143-5T	35CB5016WWSP	35	SVC	1
182T-4T	36CB5016WWSP	40	SVC	2
213T-5T	37CB5016WWSP	40	SVC	4
254T-56T	39CB5016WWSP	50	SVC	5
Conduit box kit – oversize				
360T - Cast Iron	K36G9	375	SVC	25
400T - Cast Iron	K40G9	375	SVC	30
440T - Cast Iron	K44G9	445	SVC	135
586/7/8 Crusher duty oversized conduit box	3GZF101050-271	5,780	SVC	175
586/7/8 Crusher duty blank gland plate	3GZF293730-11	136	SVC	14

Red catalog number indicates **NEW** product
 WWSP in the Catalog Number indicates white washdown

Frame Size	Catalog Number	List Price	Disc. Sym.
Auxiliary conduit box kits			
440	K44G5	752	SVC

Definite purpose

Unit Handling

Brake

IEC Frame

50 Hertz

Variable Speed AC

DC

Accessories

Service

Grinders

D-Flange kits



Complete kit with hardware necessary for converting either foot mount or C-Face 143T thru 326T motors to D-Flange mounting. Please note that using these kits to modify the 143T thru 184T foot mounted motors will result in a non-standard NEMA BA dimension. Modified C-Face motors will have standard BA dimensions.

Please furnish the motor specification number when ordering.

NEMA Frame	Enclosure	Catalog Number	List Price	Disc. Sym.	Ap'x. Shpg. Weight Lbs.
143-145T (1)	TEFC	35EP1506A01SP	245	SVC	8
182-184T (2)	TEFC	36EP1304A62SP	275	SVC	15
286-286 U,T	TEFC	10EP1502A01SP	581	SVC	39
324-326 U,T	TEFC	12EP1501A03SP	1,003	SVC	50

Notes:

(1) 143T-145T foot mount motor modified with kit 35EP1506A01SP will have Non-standard NEMA BA dimension of 2.25".

(2) 182T-184T foot mount motor modified with kit 36EP1304A62SP will have Non-standard NEMA BA dimension of 2.75".

Drain fitting kit

TEFC motors 48 thru 215T



Applications: Increase general purpose IP44 enclosures to IP54 protection level by installing drain plugs in motor weep hole drains.

Features: Kit consists of quantity (2) plastic push in drain fittings and instructions for proper installation. Can be installed in steel band and cast iron frame motors.

Catalog Number	List Price	Disc. Sym.	Ap'x. Shpg. Wgt. Lbs.
HA5027A03	7	SVC	1

Drip covers for field conversion

Standard ODP motors to vertical mount



Features: Complete kits with all hardware, attaches to endplate with no drilling. Designed to protect open steel band motors from rain, snow and ice when mounted outdoors in a vertical position. Primed and painted inside and out.

For a factory conversion, refer to the Mod Express® section in this catalog.

Catalog Number	Frame	List Price	Disc. Sym.	Ap'x. Shpg. Wgt.
FCD34	48-56, Type 34	94	SVC	1
FCD35 *	56-145T, Type 35 (plastic)	25	SVC	1
FCD35M *	56-145T, Type 35 (metal)	94	SVC	2
FCD36	182T-184T, Type 36	115	SVC	2
FCD37	213T-256T, Type 37	139	SVC	3
FCD39	254T-256T, Type 39	186	SVC	3
FCD40	284-286, Type 40	275	SVC	12
FCD42	324-326, Type 42	275	SVC	5

Note: * FCD35 is plastic. FCD35M is the metal version.

Drip covers for field conversion

Standard TEFC motors



Features: Complete Drip cover assembly including fancover. Primed and painted Super E gold inside and out.

For a factory conversion, refer to the Mod Express * section of this catalog.

Catalog Number	Frame	List Price	Disc. Sym.	Ap'x. Shpg. Wgt.
FCD34TEFC	48-56, Type 34, GP & XP	110	SVC	1
FCD35TEFC	56-145T, Type 35, GP & XP	150	SVC	1
FCD36TEFC	182T-184T, Type 36, GP	161	SVC	2
FCD37TEFC	213T-256T, Type 37, GP	165	SVC	2

Red catalog number indicates **NEW** product.

Cast iron fan cover for field conversion

Standard TEFC cast iron motors



Applications: For cast iron construction.

Features: Complete kits consists of cast iron fan covers and all necessary mounting hardware. These kits replace the standard steel fan cover when used. For a factory conversion, refer to the Mod Express® section in this catalog.

Catalog Number	Description	List Price	Disc. Sym.	Ap'x. Shpg. Wgt.
FFC05	05/143-5T	149	SVC	6
K18G8 **	06/182-4T E Line	160	SVC	10
K18G9 **	07/213-5T E Line	160	SVC	15
FFC09	09/254-6U & T	221	SVC	20
K18G10 **	09/254-6T E Line	199	SVC	20
K18G11 **	10/324-6T E Line	199	SVC	25
K18G12 **	12/364-5T E Line	210	SVC	35
FFC18 **	404-5T E Line	289	SVC	90
FFC19 **	444-9T E Line	352	SVC	120

Notes: ** Contact your local sales office with nameplate specification number to determine correct kit. Not available on 280 frame due to replacement of bearing, endplate, and mounting configuration.

■ Cast iron frame

Cast iron fan cover and conduit boxes for field conversion

Standard TEFC cast iron motors



Applications: For all cast iron construction.

Features: Complete kits consists of cast iron fan covers and cast iron conduit boxes when necessary. The kits also include all necessary mounting hardware. These kits replace the standard steel fan cover and aluminum conduit box when used.

For a factory conversion, refer to the Mod Express section in this catalog.

Catalog Number	Description	List Price	Disc. Sym.	Ap'x. Shpg. Wgt.
FFC07WB	07/213-5T	236	SVC	19
FFC09WB	09/254-6U & T	324	SVC	28
K36G50	360T	1,363	SVC	123

Notes: Not for use on explosion proof motors.

■ Cast iron frame

Adjustable motor bases



These motor bases simplify mounting and belt tension adjustment at installation and during later maintenance checks. These are heavy duty adjustable motor bases manufactured of steel or plate. All bases are detergent washed, painted with dark gray primer and oven baked for corrosion resistance. The nuts and bolts are zinc plated. NEMA 215T and smaller bases feature one adjusting screw. Bases for NEMA 254T frame and larger motors feature two adjusting screws. Motor mounting bolts are included. Bases listed can be used with motor frame numbers given and succeeded by the letters S, T, U, US and TS, or any other letter combinations provided the motors' base meets NEMA standards.

NEMA Frame Motors	Base Catalog Number	List Price	Disc. Sym.	No. of Adjusting Screws	Motor Mounting Bolt Size	Ap'x Shpg. Wgt.
48	B48T	107	SVC	1	5/16 x 1	3
56	B56T	107	SVC	1	5/16 x 1	5
143T	B143T	137	SVC	1	5/16 x 1	6
145T	B145T	137	SVC	1	5/16 x 1	7
182T	B182T	145	SVC	1	3/8 x 1 1/2	10
184T	B184T	145	SVC	1	3/8 x 1 1/2	10
213T	B213T	168	SVC	1	3/8 x 1 1/2	14
215T	B215T	168	SVC	1	3/8 x 1 1/2	15
254T	B254T	276	SVC	2	1/2 x 1 3/4	21
256T	B256T	276	SVC	2	1/2 x 1 3/4	21
284T	B284T	314	SVC	2	1/2 x 2	24
286T	B286T	314	SVC	2	1/2 x 2	24
324T	B324T	485	SVC	2	5/8 x 2 1/2	34
326T	B326T	485	SVC	2	5/8 x 2 1/2	37
364T	B364T	604	SVC	2	5/8 x 2 1/2	48
365T	B365T	604	SVC	2	5/8 x 2 1/2	50
404T	B404T	898	SVC	2	3/4 x 3	62
405T	B405T	898	SVC	2	3/4 x 3	66
444T	B444T	1,097	SVC	2	3/4 x 3	70
445T	B445T	1,097	SVC	2	3/4 x 3	71
447T	B447T	1,293	SVC	2	3/4 x 3 1/2	93
449T	B449T	1,293	SVC	2	3/4 x 3 1/2	99
G5008-G5012	B5000RLS (1)	1,948	SVC	2	7/8 x 3 1/2	149

Notes: Bases not suitable for vertical mounting. **See base dimensions on next page.**

(1) One adjustable motor rail.

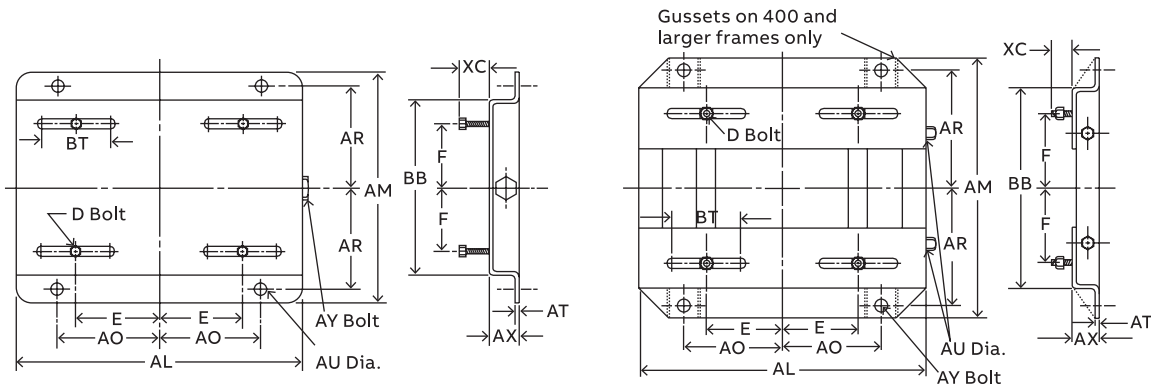
Bushing kit



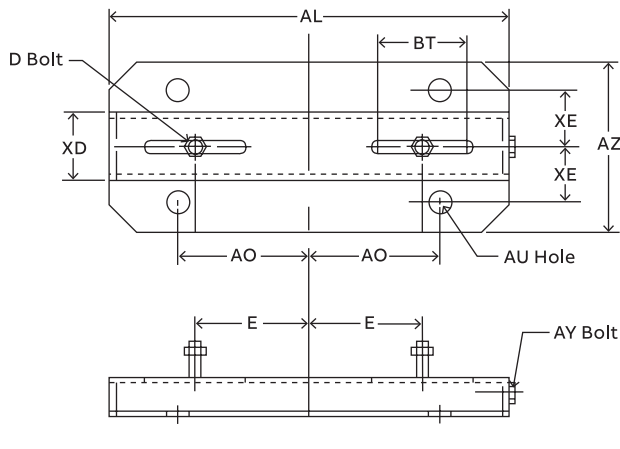
Reduce bore size of Quill type input shaft from 7/8 to 5/8. Sintered metal bushing with integral internal and external keys.

Catalog Number	List Price	Disc. Sym.
133-6FbA	69	SVC

Adjustable motor bases dimension diagrams



NEMA Frame	Catalog Number	E	F	AL	AM	AO	AR	AT	AU	AX	BB	BT	XC	D Bolt	AY Bolt
48	B48T	2.125	1.375	10.00	6.25	3.50	2.75								
56	B56T	2.437	1.50	10.625	6.50	3.812	2.875	0.078	0.375	1.125	4.25	3.00	0.875	5/16 x 1	3/8 x 4
143	B143T	2.75	2.00	10.50	7.50	3.75	3.375	0.109	0.375	1.125	5.50	3.00	0.812	5/16 x 1	3/8 x 4
145	B145T		2.50		8.50		3.875				6.50				
182	B182T	3.75	2.25	12.75	9.50	4.50	4.25	0.140	0.50	1.50	6.50	3.00	1.50	3/8 x 1-3/4	1/2 x 5
184	B184T		2.75		10.50		4.75				7.50				
213	B213T	4.25	2.75	15.00	11.00	5.25	4.75	0.156	0.50	1.75	7.50	3.50	1.50	3/8 x 1-3/4	1/2 x 5
215	B215T		3.50		12.50		5.50				9.00				
254	B254T	5.00	4.125	17.75	15.125	6.25	6.625	0.187	0.625	2.00	10.75	4.00	1.437	1/2 x 1-3/4	5/8 x 6
256	B256T		5.00		16.875		7.50				12.50				
284	B284T	5.50	4.75	19.75	16.875	7.00	7.50	0.187	0.625	2.00	12.514	4.50	1.687	1/2 x 2	5/8 x 6
286	B286T		5.50		18.375		8.25								
324	B324T	5.25	5.256	22.75	19.25	8.00	8.50	0.187	0.75	2.50	14.00	5.25	2.187	5/8 x 2-1/2	3/4 x 9
326	B326T		6.00		20.75		9.25				15.50				
364	B364T	7.00	5.625	25.50	20.50	9.00	9.125	0.25	0.75	2.50	15.50	6.00	2.062	5/8 x 2-1/2	3/4 x 9
365	B365T		6.625		21.50		9.625				16.50				
404	B404T	8.00	6.125	28.75	22.375	10.00	9.875	0.25	0.875	3.00	16.50	7.00	2.50	3/4 x 3	3/4 x 11
405	B405T		6.387		23.875		10.625				18.00				
444	B444T	9.00	7.25	31.25	24.625	11.00	11.00	0.25	0.875	3.00	19.25	7.50	2.50	3/4 x 3	3/4 x 11
445	B445T		8.25		26.625		12.00				21.25				
447	B447T	9.00	10.00	31.25	30.125	11.00	13.75	0.312	1.125	3.00	24.75	7.50	3.00	3/4 x 3-1/2	3/4 x 14
449	B449T		12.50		35.125		16.25				29.75				3/4 x 11



NEMA Frame	Catalog Number	E	AL	AO	AL	AU	AX	AZ	BT	XC	XO	XE	D Bolt	AY Bolt
G5000	B5000RLS	10.00	35.00	12.50	0.312	1.00	3.50	12.00	8.00	3.00	6.00	4.50	7/8 x 3-1/2	7/8 x 16

Dimensions are for reference only.
Consult your local sales office for certified dimensions.

Definite purpose

Unit Handling

Brake

IEC Frame

50 Hertz

Variable Speed AC

DC

Accessories

Service

Grinders

Conversion bases



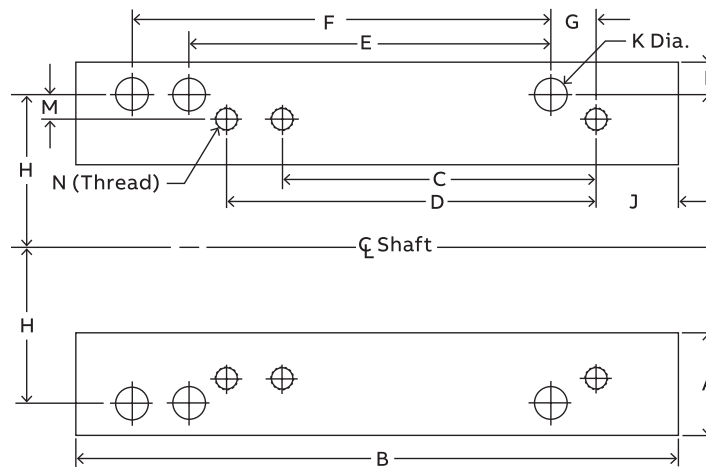
Consisting of right and left hand pieces that fit to existing mounting studs. The "T" frame motor is mounted to the pieces resulting in compensation for the difference in motor height, shaft position and mounting hole.

Catalog Number	Converts From "U" Frame	Converts To "T" Frame	List Price	Disc. Sym.	Ap'x Shpg. Wgt.	Height Inches	Width Inches	Length Inches	Thread
CB1814T	182/184	143T/145T	115	SVC	2	1	2 1/4	7 1/2	5/16-18
CB2118T	213/215	182T/184T	162	SVC	2	3/4	1 3/4	9 1/2	3/8-16
CB2521T	254U/256U	213T/215T	186	SVC	6	1	2 7/16	12 3/4	3/8-16
CB2825T	284U/286U	254T/256T	251	SVC	7	3/4	2 3/4	14 1/4	1/2-13
CB3228T	324U/326U	284T/286T	346	SVC	9	1	3 1/4	15 3/4	1/2-13
CB3632T	364U/365U	324T/326T	426	SVC	12	1	3 11/16	16 1/2	5/8-11
CB4036T	404U/405U	364T/365T	584	SVC	20	1	4 1/4	18 5/8	5/8-11
CB5049T	505U	449T	1,877	SVC	164	1.50	4.50	28.00	3/4-10
CB5850S	5808/10	5008/10	8,225	SVC	250	1.88	6.50	44.88	3/4-10
CB5850M	5810/11	5008/10	8,225	SVC	320	1.88	6.50	50.00	3/4-10

Notes: Dimensions are for one piece. Two pieces supplied.

Design is for horizontal mounting. Motor shimming may be required for direct drive applications.

Conversion bases dimension diagrams



Catalog Number	Converts From	Converts To	A	B	Height	C	D	E	F	G	H	J	K	L	M	N (Thread)
CB1814T	182-184	143T-145T	2.25	7.50	1.00	4.00	5.00	4.50	5.50	0.50	3.75	1.00	0.437	0.50	1.0	5/16-18
CB2118T	213-215	182T-184T	1.75	8.50	0.75	4.50	5.50	5.50	7.00	1.00	4.25	1.00	0.437	0.437	0.5	3/8-16
CB2521T	254U-256U	213T-215T	2.437	12.75	1.00	5.50	7.00	8.25	10.00	1.125	5.00	1.00	0.562	0.625	0.75	3/8-16
CB2825T	284U-286U	254T-256T	2.75	14.25	0.75	8.25	10.00	9.50	11.00	1.375	5.50	1.25	0.562	0.937	0.5	1/2-13
CB3228T	324U-326U	284T-286T	3.25	15.75	1.00	9.50	11.00	10.50	12.00	1.50	6.25	1.50	0.687	0.937	0.75	1/2-13
CB3632T	364U-365U	324T-326T	3.687	16.50	1.00	10.50	12.00	11.25	12.25	1.75	7.00	1.75	0.687	1.187	0.75	5/8-11
CB4036T	404U-405U	364T-365T	4.25	18.625	1.00	11.25	12.25	12.25	13.75	2.00	8.00	2.00	0.812	1.25	1.0	5/8-11
CB5744T	449T	586/587	6.50	36.75	3.50	25.00	32.00	22.00	25.00	2.50	-	3.5	1.19	2.00	2.50	-
CB5049T	505U	449T	4.50	28.00	1.50	25.00	-	18.00	-	1.00	9.00	1.50	0.94	1.50	1.00	3/4-10
CB5850S	5808/10	5008/10	6.50	44.88	1.88	25.00	32.00	28.00	36.00	2.50	10.00	2.88	0.91	2.75	1.50	3/4-10
CB5850M	5810/11	5008/10	6.50	50.00	1.88	25.00	32.00	36.00	40.00	3.50	11.50	2.88	0.91	2.75	1.50	3/4-10

Notes: Where applicable, 5808, 5810, & 5811 frame dimensions will meet NEMA MG1.

For all other dimensions, please reference chart above and confirm base and motor will work in your application.

For more information visit baldor.com or new.abb.com/motors-generators

Definite purpose

Unit Handling

Brake

IEC Frame

50 Hertz

Variable Speed AC

DC

Accessories

Service

Grinders