

## C-Face kits for field conversion

### NEMA AC motors



#### Features:

Complete kits with all hardware necessary for converting Baldor-Reliance® 56 through 449T frame rigid base motors to “C-Face” mounting with base. For factory conversion, refer to the Mod Express® section in this catalog. Please furnish the motor specification number when ordering. NEMA “BA” dimension will be non-standard after conversion on NEMA 143-5T, 182-4T, 213-5T and 254-6T frame motors.

Catalog Number	Description Frame (Baldor-Reliance type)	Enclosure	Bearing	List Price	Disc. Sym.	Ap'x. Shpg. Wgt.	
<b>Enclosed – General Purpose</b>							
34-3900T	48C (34)	TEFC	6203	72	SVC	1	
34-171	56C (34)	TEFC	6203	72	SVC	2	
34-3300FD	56C (34) w/Lip Seal	TEFC	6203	84	SVC	2	
34-3903T	143-5TC (34)	TEFC	6205	92	SVC	2	
34-3903T-GLD	143-5TC (34)	TEFC	6205	92	SVC	2	
35-8762	56C,143-5TC (35)	TEFC	6205	145	SVC	3	
35-8762GLD	56C,143-5TC ( 35)	TEFC	6205	145	SVC	3	
35-3304	182-4TC (35)	TEFC	6206	145	SVC	4	
35-1300	56C,143-5TC (35)	TEFC	6205	145	SVC	6	
35-1300GLD	56C,143-5TC (35)	TEFC	6205	145	SVC	6	
35-3300FD	56C, 143-5TC (35) w/lip seal	TEFC	6205	168	SVC	6	
35-1325	182-4TC (35)	TEFC	6206	187	SVC	11	
35-1325GLD	182-4TC (35)	TEFC	6206	187	SVC	11	
36-1037	182-4C (36)	TEFC	6206	166	SVC	8	
36-1037GLD	182-4C (36)	TEFC	6206	166	SVC	7	
36-3303FD	182-4C (36) w/lip seal	TEFC	6206	192	SVC	8	
36-3303FDA	182-4C (36) w/lip seal & eyebolt prevision	TEFC	6206	192	SVC	8	
36-3301	182-4TC (36)	TEFC	6206	151	SVC	5	
36-3301GLD	182-4TC (36)	TEFC	6206	151	SVC	5	
36-1749	182-4TC (36)	TEFC	6206	210	SVC	12	
36-3301FD	182-4TC (36) w/lip seal	TEFC	6206	241	SVC	12	
36-3301FDA	182-4TC (36) w/lip seal & eyebolt prevision	TEFC	6206	241	SVC	12	
36-1749GLD	182-4TC (36)	TEFC	6206	210	SVC	12	
37-1304	213-5C, TC (37)	TEFC	6307	233	SVC	12	
37-1304GLD	213-5C, TC (37)	TEFC	6307	233	SVC	12	
37-3301FD	213-5C, TC (37) w/lip seal	TEFC	6307	268	SVC	12	
37-1302	254-6UC, TC (37)	TEFC	6309	354	SVC	18	
37-1302GLD	254-6UC, TC (37)	TEFC	6309	354	SVC	18	
09-1309GLD	254-6UC, TC (09)	●	TEFC	6309	478	SVC	22
09-1310GLD	284-6UC, TC (09)	●	TEFC	6311	724	SVC	22
10-1304GLD	324-6UC, TC (10)	●	TEFC	6312	586	SVC	32
10-1305GLD	284-6UC, TC (10)	●	TEFC	6311	555	SVC	32
12-1105GLD	324-6UC, TC (12)	●	TEFC	6312	683	SVC	48
44-1402	404-5UC, TC (44)	**	TEFC	6316 4 & 6 pole	1,319	SVC	120
44-1402GLD	404-5UC, TC (44)	**	TEFC	6316 4 & 6 pole	1,319	SVC	120
44-1403	404-5UC, TSC (44)	**	TEFC	6313 2 pole	1,319	SVC	120
44-1403GLD	404-5UC, TSC (44)	**	TEFC	6313 2 pole	1,319	SVC	120
<b>Severe Duty XT</b>							
09-1309XT	254-6UC, TC (09)	●	TEFC	6309	478	SVC	22
10-1305XT	284-6UC, TC (10)	●	TEFC	6311	555	SVC	32
12-1105XT	324-6UC, TC (12)	●	TEFC	6312	683	SVC	48
K36G2XT	364-5UC, TC	●	TEFC	6313	887	SVC	69
K40G71XT	404-5UC, TC G series design	●	TEFC	6316	2,023	SVC	75
K40G70XT	404-5UC, TC G series design	●	TEFC	6313	2,023	SVC	30
K44G71XT	444-9UC, TC G series design	*	TEFC	6318, 4 & 6 pole	2,144	SVC	249

**Note: Specification number of motor should be verified when ordering.**

Kits that have catalog numbers ending in “GLD” are for use on Super-E® gold motors.

● = Suitable only for field conversion of motors manufactured with external rabbets on the stator housings.

\*\* = Usable on catalog motors that have footnote #56.

\* = Contact your local sales office with nameplate specification number to determine correct kit.

Red catalog number indicates **NEW** product

## C-Face kits for field conversion – NEMA AC motors

Catalog Number	Description Frame (Baldor-Reliance type)	Enclosure	Bearing	List Price	Disc. Sym.	Ap'x. Shpg. Wgt.	
<b>Severe Duty XEX</b>							
09-1309	254-6UC, TC (09)	●	TEFC	6309	478	SVC	22
09-1310	284-6UC, TC (09)	●	TEFC	6311	724	SVC	22
10-1304	324-6UC, TC (10)	●	TEFC	6312	586	SVC	32
10-1305	284-6UC, TC (10)	●	TEFC	6311	555	SVC	32
12-1105	324-6UC, TC (12)		TEFC	6312	683	SVC	48
K36G2	364-5UC, TC		TEFC	6313	887	SVC	69
K40G71	404-5UC, TC G series design		TEFC	6316	2,023	SVC	75
K40G70	404-5UC, TC G series design	●	TEFC	6313	1,319	SVC	30
K44G70	444-9UC, TC G series design		TEFC	6313	2,023	SVC	40
K44G71	444-9UC, TC G series design	*	TEFC	6318, 4 & 6 pole	2,144	SVC	249
<b>Crusher duty ***</b>							
09-9154CR	254-6TC, Crusher duty		TEFC	6311	531	SVC	22
12-9404CR	324-6TC, Crusher duty		TEFC	6313	798	SVC	48
<b>841XL</b>							
10-1305ECP8	284-6TC, IEEE-841 (10)	●	TEFC	6311	1,086	SVC	32
12-1105ECP8	324-6TC, IEEE-841 (12)		TEFC	6312	1,365	SVC	48
K36G801	364-5TC IEEE-841		TEFC	6313	1,577	SVC	75
K40G802	404-5TC G series design: IEEE-841	●	TEFC	6316	2,092	SVC	30
K40G801	404-5TC G series design: IEEE-841	**	TEFC	6313	2,974	SVC	113
K44G801	444-9UC, TC G series design: IEEE-841		TEFC	6313	3,530	SVC	40
K44G802	444-9UC, TC G series design: IEEE-841	*	TEFC	6318, 4 & 6 pole	2,974	SVC	251
<b>Open</b>							
34-3903A	143-5TC (34)		ODP	6205	88	SVC	2
34-3903A-GLD	143-5TC (34)		ODP	6205	88	SVC	2
35-8764	56C,143-5TC (35)		ODP	6205	145	SVC	3
35-8764GLD	56C,143-5TC (35)		ODP	6205	145	SVC	3
35-1409	182-4TC (35)		ODP	6206	208	SVC	11
35-1409GLD	182-4TC (35)		ODP	6206	208	SVC	11
36-1206A	213-5TC (36)		OPSB	6207	214	SVC	13
36-1206A-GLD	213-5TC (36)		OPSB	6207	214	SVC	13
36-1206B	213-5TC (36)		ODP	6207	225	SVC	14
36-1206B-GLD	213-5TC (36)		ODP	6207	225	SVC	14
36-486	182-4C (36)		ODP	6206	235	SVC	8
36-486GLD	182-4C (36)		ODP	6206	235	SVC	8
36-3403	182-4TC (36)		ODP	6206	140	SVC	5
36-3403GLD	182-4TC (36)		ODP	6206	140	SVC	5
37-1404	213-5C, TC (37)		ODP	6307	308	SVC	14
37-1404GLD	213-5C, TC (37)		ODP	6307	308	SVC	14
37-1402	254-6UC, TC (37)		ODP	6309	332	SVC	18
37-1402GLD	254-6UC, TC (37)		ODP	6309	332	SVC	18
39-3400	254-6UC, TC (39)		ODP	6309	310	SVC	19
39-1403	284-6UC, TC (39)		ODP	6311	510	SVC	21
39-1403GLD	284-6UC, TC (39)		ODP	6311	510	SVC	21
40-1400	284-6UC, TC (40)		ODP	6311	540	SVC	30
40-1400GLD	284-6UC, TC (40)		ODP	6311	540	SVC	30
40-1401	324-6 UC, TC (40)	●	ODP	6312	569	SVC	40
40-1401GLD	324-6 UC, TC (40)	●	ODP	6312	569	SVC	40
42-1300	324-6UC, TC (42)	●	ODP	6312	911	SVC	36
42-1300GLD	324-6UC, TC (42)	●	ODP	6312	911	SVC	36
42-1400	364-5UC, TC (42)	●	ODP	6313	886	SVC	30
42-1400GLD	364-5UC, TC (42)	●	ODP	6313	886	SVC	30
44-1403A	404-5USC, TSC (44)		ODP	6316	1,025	SVC	40
44-1403A-GLD	404-5USC, TSC (44)		ODP	6316	1,025	SVC	40

**Note: Specification number of motor should be verified when ordering.**

Kits that have catalog numbers ending in "GLD" are for use on Super-E® gold motors.

● = Suitable only for field conversion of motors manufactured with external rabbets on the stator housings.

\*\*\* = For Crusher duty frames 360 and above, use Severe duty kits.

\*\* = Usable on catalog motors that have footnote #56.

\* = Contact your local sales office with nameplate specification number to determine correct kit.

## C-Face kits for field conversion

NEMA DC SCR drive motor



**Features:** For non-laminated frame DC motors with catalog numbers ending in "P".

Catalog Number	Frame	Bearing	Enclosure	List Price	Disc. Sym.	Ap'x. Shpg. Wgt.
180-5002	180ATC	6206	Drip-Proof	1,097	SVC	18
210-5001	210ATC	6207	Drip Proof or Totally Enclosed	1,449	SVC	12
250-5001	250ATC	6209	Drip Proof of Totally Enclosed	2,026	SVC	75
280-5002	280ATC	6210	Drip Proof	2,846	SVC	57
320-5002	320ATC	6211	Drip Proof	3,742	SVC	87

## Double C-Face motor brake kits

Coil voltage: 115/208-230



**Features:** Double C-Face coupler brakes. Mounts on motors with C-Face, provides NEMA C-Face mounting on brake. Spring set, electrically released.

Brake Rating	Brake Mounting	Catalog Number	List Price	Disc. Sym.	Ap'x. Shpg. Wgt.
3 ft-lb	56C	CBK003-1	813	SVC	12
6 ft-lb	56C	CBK006-1	1,197	SVC	12
6 ft-lb	145TC	CBK006-2	1,197	SVC	12
10 ft-lb	145TC	CBK010-1	1,397	SVC	12
15 ft-lb	145TC	CBK015-1	2,096	SVC	12

Definite purpose

Unit Handling

Brake

IEC Frame

50 Hertz

Variable Speed AC

DC

Accessories

Service

Grinders

## Conduit box kits



Frame Size	Catalog Number	List Price	Disc. Sym.	Ap'x. Shpg. Wgt. Lbs.
<b>Conduit box kit – standard size</b>				
42	33CB5000A01SP	49	SVC	1
48	34CB5001A01SP	47	SVC	1
48	34CB5001A01SP-GLD	47	SVC	1
56 - 143-5T	35CB5001A01SP	51	SVC	1
56 - 143-5T	35CB5001A01SP-GLD	51	SVC	1
182T-4T	36CB5001A01SP	55	SVC	1
182T-4T	36CB5001A01SP-GLD	55	SVC	1
182T-4T	36CB5001A06SP	60	SVC	2
182T-4T	36CB5001A06SP-GLD	60	SVC	2
182T-4T	36CB5001A07SP	85	SVC	2
213T-5T	37CB5002A06SP	60	SVC	3
213T-5T	37CB5002A06SP-GLD	60	SVC	3
213T-5T	37CB5002A07SP	60	SVC	4
213T-5T	37CB5002A07SP-GLD	60	SVC	4
184T,215T,254-6	09CB5001A01SP	100	SVC	3
184T,215T,254-6	09CB5001A01SP-GLD	100	SVC	3
184T,215T,254-6	09CB5001A15SP	84	SVC	3
184T,215T,254-6	09CB5001A15SP-GLD	84	SVC	3
254-6T,284-6,324-6	10CB5001A01SP	145	SVC	6
254-6T,284-6,324-6	10CB5001A01SP-GLD	145	SVC	6
254-6T,284-6,324-6	10CB5002A01SP	160	SVC	4
254-6T,284-6,324-6	10CB5002A01SP-GLD	160	SVC	4
360T - Cast Iron	K36G8	443	SVC	22
400T - Cast Iron	K40G8	443	SVC	35
440T - Cast Iron	K44G8	456	SVC	55
56-143-5T	35CB5016WWSP	43	SVC	1
182T-4T	36CB5016WWSP	69	SVC	2
213T-5T	37CB5016WWSP	80	SVC	4
254T-56T	39CB5016WWSP	182	SVC	5
<b>Conduit box kit – oversize</b>				
360T - Cast Iron	K36G9	456	SVC	25
400T - Cast Iron	K40G9	456	SVC	30
440T - Cast Iron	K44G9	541	SVC	135

Red catalog number indicates **NEW** product

WWSP in the Catalog Number indicates white washdown

Frame Size	Catalog Number	List Price	Disc. Sym.
<b>Auxiliary conduit box kits</b>			
440	K44G5	914	SVC

## D-Flange kits



Complete kit with hardware necessary for converting either foot mount or C-Face 143T thru 326T motors to D-Flange mounting. Please note that using these kits to modify the 143T thru 184T foot mounted motors will result in a non-standard NEMA BA dimension. Modified C-Face motors will have standard BA dimensions.

Please furnish the motor specification number when ordering.

NEMA Frame	Enclosure	Catalog Number	List Price	Disc. Sym.	Ap'x. Shpg. Weight Lbs.
143-145T (1)	TEFC	<b>35EP1506A01SP</b>	298	SVC	8
182-184T (2)	TEFC	<b>36EP1304A62SP</b>	334	SVC	15
286-286 U,T	TEFC	<b>10EP1502A01SP</b>	706	SVC	39
324-326 U,T	TEFC	<b>12EP1501A03SP</b>	1,218	SVC	50

**Notes:**

- (1) 143T-145T foot mount motor modified with kit 35EP1506A01SP will have Non-standard NEMA BA dimension of 2.25".
- (2) 182T-184T foot mount motor modified with kit 36EP1304A62SP will have Non-standard NEMA BA dimension of 2.75".

## Drain fitting kit

TEFC motors 48 thru 215T



**Applications:** Increase general purpose IP44 enclosures to IP54 protection level by installing drain plugs in motor weep hole drains.

**Features:** Kit consists of quantity (2) plastic push in drain fittings and instructions for proper installation. Can be installed in steel band and cast iron frame motors.

Catalog Number	List Price	Disc. Sym.	Ap'x. Shpg. Weight Lbs.
<b>HA5027A03</b>	12	SVC	1

Definite purpose

Unit Handling

Brake

IEC Frame

50 Hertz

Variable Speed AC

DC

Accessories

Service

Grinders

## Drip covers for field conversion

Standard ODP motors to vertical mount



**Features:** Complete kits with all hardware, attaches to endplate with no drilling. Designed to protect open steel band motors from rain, snow and ice when mounted outdoors in a vertical position. Primed and painted inside and out.

For a factory conversion, refer to the Mod Express® section in this catalog.

Catalog Number	Frame	List Price	Disc. Sym.	Ap'x. Shpg. Wgt.
<b>FCD34</b>	48-56, Type 34	114	SVC	1
<b>FCD35 *</b>	56-145T, Type 35 (plastic)	30	SVC	1
<b>FCD35M *</b>	56-145T, Type 35 (metal)	114	SVC	2
<b>FCD36</b>	182T-184T, Type 36	139	SVC	2
<b>FCD37</b>	213T-256T, Type 37	168	SVC	3
<b>FCD39</b>	254T-256T, Type 39	225	SVC	3
<b>FCD40</b>	284-286, Type 40	334	SVC	12
<b>FCD42</b>	324-326, Type 42	334	SVC	5

Note: \* FCD35 is plastic. FCD35M is the metal version.

## Drip covers for field conversion

Standard TEFC motors



**Features:** Complete Drip cover assembly including fan cover. Primed and painted Super E gold inside and out.

For a factory conversion, refer to the Mod Express \* section of this catalog.

Catalog Number	Frame	List Price	Disc. Sym.	Ap'x. Shpg. Wgt.
<b>FCD34TEFC</b>	48-56, Type 34, GP & XP	134	SVC	1
<b>FCD35TEFC</b>	56-145T, Type 35, GP & XP	182	SVC	1
<b>FCD36TEFC</b>	182T-184T, Type 36, GP	196	SVC	2
<b>FCD37TEFC</b>	213T-256T, Type 37, GP	200	SVC	2

Red catalog number indicates **NEW** product.

**NEW!**

For more information visit [baldor.abb.com](http://baldor.abb.com)

## Cast iron fan cover for field conversion

Standard TEFC cast iron motors



**Applications:** For cast iron construction.

**Features:** Complete kits consists of cast iron fan covers and all necessary mounting hardware. These kits replace the standard steel fan cover when used. For a factory conversion, refer to the Mod Express® section in this catalog.

Catalog Number	Description	List Price	Disc. Sym.	Ap'x. Shpg. Wgt.
FFC05	05/143-5T	181	SVC	6
K18G8 **	06/182-4T E Line	194	SVC	10
K18G9 **	07/213-5T E Line	194	SVC	15
FFC09	09/254-6U & T	268	SVC	20
K18G10 **	09/254-6T E Line	241	SVC	20
K18G11 **	10/324-6T E Line	241	SVC	25
K18G12 **	12/364-5T E Line	255	SVC	35
FFC18 **	404-5T E Line	400	SVC	90
FFC19 **	444-9T E Line	479	SVC	120

**Notes:** \*\* Contact your local sales office with nameplate specification number to determine correct kit. Not available on 280 frame due to replacement of bearing, endplate, and mounting configuration.

■ Cast iron frame

## Cast iron fan cover and conduit boxes for field conversion

Standard TEFC cast iron motors



**Applications:** For all cast iron construction.

**Features:** Complete kits consists of cast iron fan covers and cast iron conduit boxes when necessary. The kits also include all necessary mounting hardware. These kits replace the standard steel fan cover and aluminum conduit box when used.

For a factory conversion, refer to the Mod Express section in this catalog.

Catalog Number	Description	List Price	Disc. Sym.	Ap'x. Shpg. Wgt.
FFC07WB	07/213-5T	286	SVC	19
FFC09WB	09/254-6U & T	393	SVC	28
K36G50	360T	1,656	SVC	123

**Notes:** Not for use on explosion proof motors.

■ Cast iron frame

## Adjustable motor bases



These motor bases simplify mounting and belt tension adjustment at installation and during later maintenance checks. These are heavy duty adjustable motor bases manufactured of steel or plate. All bases are detergent washed, painted with dark gray primer and oven baked for corrosion resistance. The nuts and bolts are zinc plated. NEMA 215T and smaller bases feature one adjusting screw. Bases for NEMA 254T frame and larger motors feature two adjusting screws. Motor mounting bolts are included. Bases listed can be used with motor frame numbers given and succeeded by the letters S, T, U, US and TS, or any other letter combinations provided the motors' base meets NEMA standards.

NEMA Frame Motors	Base Catalog Number	List Price	Disc. Sym.	No. of Adjusting Screws	Motor Mounting Bolt Size	Ap'x Shpg. Wgt.
48	<b>B48T</b>	129	SVC	1	5/16 x 1	3
56	<b>B56T</b>	129	SVC	1	5/16 x 1	5
143T	<b>B143T</b>	166	SVC	1	5/16 x 1	6
145T	<b>B145T</b>	166	SVC	1	5/16 x 1	7
182T	<b>B182T</b>	176	SVC	1	3/8 x 1 1/2	10
184T	<b>B184T</b>	176	SVC	1	3/8 x 1 1/2	10
213T	<b>B213T</b>	204	SVC	1	3/8 x 1 1/2	14
215T	<b>B215T</b>	204	SVC	1	3/8 x 1 1/2	15
254T	<b>B254T</b>	335	SVC	2	1/2 x 1 3/4	21
256T	<b>B256T</b>	335	SVC	2	1/2 x 1 3/4	21
284T	<b>B284T</b>	381	SVC	2	1/2 x 2	24
286T	<b>B286T</b>	381	SVC	2	1/2 x 2	24
324T	<b>B324T</b>	589	SVC	2	5/8 x 2 1/2	34
326T	<b>B326T</b>	589	SVC	2	5/8 x 2 1/2	37
364T	<b>B364T</b>	733	SVC	2	5/8 x 2 1/2	48
365T	<b>B365T</b>	733	SVC	2	5/8 x 2 1/2	50
404T	<b>B404T</b>	1,090	SVC	2	3/4 x 3	62
405T	<b>B405T</b>	1,090	SVC	2	3/4 x 3	66
444T	<b>B444T</b>	1,332	SVC	2	3/4 x 3	70
445T	<b>B445T</b>	1,332	SVC	2	3/4 x 3	71
447T	<b>B447T</b>	1,570	SVC	2	3/4 x 3 1/2	93
449T	<b>B449T</b>	1,570	SVC	2	3/4 x 3 1/2	99

**Notes:** Bases not suitable for vertical mounting. **See base dimensions on next page.**

## Bushing kit

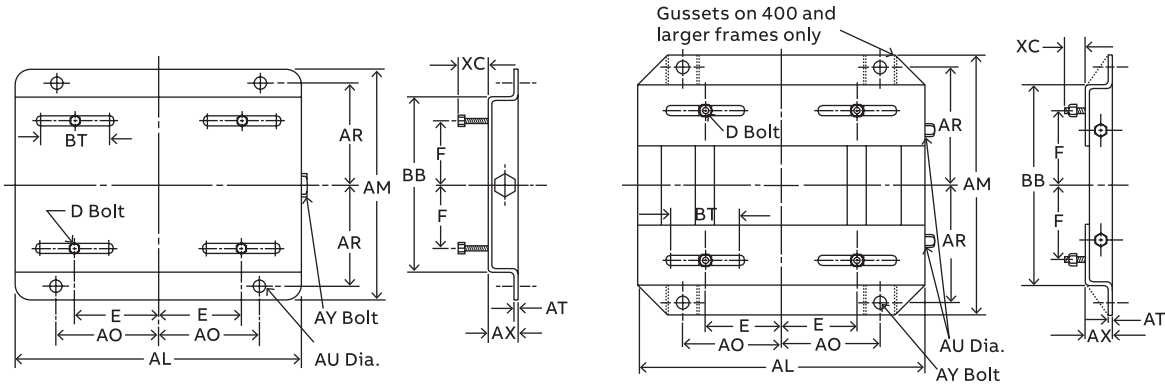


Reduce bore size of Quill type input shaft from 7/8 to 5/8. Sintered metal bushing with integral internal and external keys.

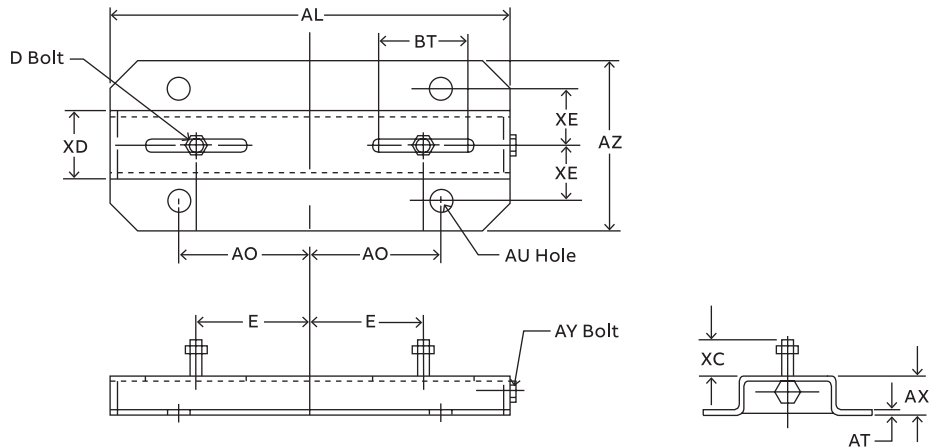
Catalog Number	List Price	Disc. Sym.
<b>133-6FbA</b>	84	SVC



# Adjustable motor bases dimension diagrams



NEMA Frame	Catalog Number	E	F	AL	AM	AO	AR	AT	AU	AX	BB	BT	XC	D Bolt	AY Bolt
48	<b>B48T</b>	2.125	1.375	10.00	6.25	3.50	2.75	0.078	0.375	1.125	4.25	3.00	0.875	5/16 x 1	3/8 x 4
56	<b>B56T</b>	2.437	1.50	10.625	6.50	3.812	2.875	0.078	0.375	1.125	4.50	3.00	0.875	5/16 x 1	3/8 x 4
143	<b>B143T</b>	2.75	2.00	10.50	7.50	3.75	3.375	0.109	0.375	1.125	5.50	3.00	0.812	5/16 x 1	3/8 x 4
145	<b>B145T</b>	2.75	2.50	10.50	8.50	3.75	3.875	0.109	0.375	1.125	6.50	3.00	0.812	5/16 x 1	3/8 x 4
182	<b>B182T</b>	3.75	2.25	12.75	9.50	4.50	4.25	0.140	0.50	1.50	6.50	3.00	1.50	3/8 x 1-3/4	1/2 x 5
184	<b>B184T</b>	3.75	2.75	12.75	10.50	4.50	4.75	0.140	0.50	1.50	7.50	3.00	1.50	3/8 x 1-3/4	1/2 x 5
213	<b>B213T</b>	4.25	2.75	15.00	11.00	5.25	4.75	0.156	0.50	1.75	7.50	3.50	1.50	3/8 x 1-3/4	1/2 x 5
215	<b>B215T</b>	4.25	3.50	15.00	12.50	5.25	5.50	0.156	0.50	1.75	9.00	3.50	1.50	3/8 x 1-3/4	1/2 x 5
254	<b>B254T</b>	5.00	4.125	17.75	15.125	6.25	6.625	0.187	0.625	2.00	10.75	4.00	1.437	1/2 x 1-3/4	5/8 x 6
256	<b>B256T</b>	5.00	5.00	17.75	16.875	6.25	7.50	0.187	0.625	2.00	12.50	4.00	1.437	1/2 x 1-3/4	5/8 x 6
284	<b>B284T</b>	5.50	4.75	19.75	16.875	7.00	7.50	0.187	0.625	2.00	12.514	4.50	1.687	1/2 x 2	5/8 x 6
286	<b>B286T</b>	5.50	5.50	19.75	18.375	7.00	8.25	0.187	0.625	2.00	12.514	4.50	1.687	1/2 x 2	5/8 x 6
324	<b>B324T</b>	5.25	5.256	22.75	19.25	8.00	8.50	0.187	0.75	2.50	14.00	5.25	2.187	5/8 x 2-1/2	3/4 x 9
326	<b>B326T</b>	6.00	5.256	22.75	20.75	8.00	9.25	0.187	0.75	2.50	15.50	5.25	2.187	5/8 x 2-1/2	3/4 x 9
364	<b>B364T</b>	7.00	5.625	25.50	20.50	9.00	9.125	0.25	0.75	2.50	15.50	6.00	2.062	5/8 x 2-1/2	3/4 x 9
365	<b>B365T</b>	7.00	6.625	25.50	21.50	9.00	9.625	0.25	0.75	2.50	16.50	6.00	2.062	5/8 x 2-1/2	3/4 x 9
404	<b>B404T</b>	8.00	6.125	28.75	22.375	10.00	9.875	0.25	0.875	3.00	16.50	7.00	2.50	3/4 x 3	3/4 x 11
405	<b>B405T</b>	8.00	6.387	28.75	23.875	10.00	10.625	0.25	0.875	3.00	18.00	7.00	2.50	3/4 x 3	3/4 x 11
444	<b>B444T</b>	9.00	7.25	31.25	24.625	11.00	11.00	0.25	0.875	3.00	19.25	7.50	2.50	3/4 x 3	3/4 x 11
445	<b>B445T</b>	9.00	8.25	31.25	26.625	11.00	12.00	0.25	0.875	3.00	21.25	7.50	2.50	3/4 x 3	3/4 x 11
447	<b>B447T</b>	9.00	10.00	31.25	30.125	11.00	13.75	0.312	1.125	3.00	24.75	7.50	3.00	3/4 x 3-1/2	3/4 x 14
449	<b>B449T</b>	9.00	12.50	31.25	35.125	11.00	16.25	0.312	1.125	3.00	29.75	7.50	3.00	3/4 x 3-1/2	3/4 x 14



NEMA Frame	Catalog Number	E	AL	AO	AL	AU	AX	AZ	BT	XC	XO	XE	D Bolt	AY Bolt
G5000	<b>B5000RLS (1)</b>	10.00	35.00	12.50	0.312	1.00	3.50	12.00	8.00	3.00	6.00	4.50	7/8 x 3-1/2	7/8 x 16

(1) One adjustable motor rail  
 Dimensions are for reference only.  
 Consult your local sales office for certified dimensions.

Definite purpose

Unit Handling

Brake

IEC Frame

50 Hertz

Variable Speed AC

DC

Accessories

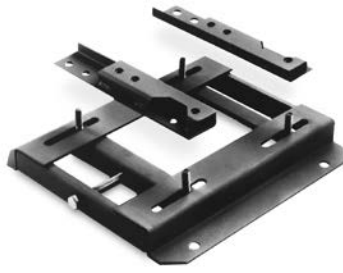
Service

Grinders

Definite purpose

Unit Handling

## Conversion bases



Consisting of right and left hand pieces that fit to existing mounting studs. The "T" frame motor is mounted to the pieces resulting in compensation for the difference in motor height, shaft position and mounting hole.

Brake

IEC Frame

Catalog Number	Converts From "U" Frame	Converts To "T" Frame	List Price	Disc. Sym.	Ap'x Shpg. Wgt.	Height Inches	Width Inches	Length Inches	Thread
CB1814T	182/184	143T/145T	166	SVC	2	1	2 1/4	7 1/2	5/16-18
CB2118T	213/215	182T/184T	196	SVC	2	3/4	1 3/4	9 1/2	3/8-16
CB2521T	254U/256U	213T/215T	225	SVC	6	1	2 7/16	12 3/4	3/8-16
CB2825T	284U/286U	254T/256T	304	SVC	7	3/4	2 3/4	14 1/4	1/2-13
CB3228T	324U/326U	284T/286T	420	SVC	9	1	3 1/4	15 3/4	1/2-13
CB3632T	364U/365U	324T/326T	517	SVC	12	1	3 11/16	16 1/2	5/8-11
CB4036T	404U/405U	364T/365T	709	SVC	20	1	4 1/4	18 5/8	5/8-11
CB5049T	505U	449T	3,960	SVC	164	1.50	6.00	29.00	3/4-10

Notes: Dimensions are for one piece. Two pieces supplied.  
Design is for horizontal mounting. Motor shimming may be required for direct drive applications.

50 Hertz

Variable Speed AC

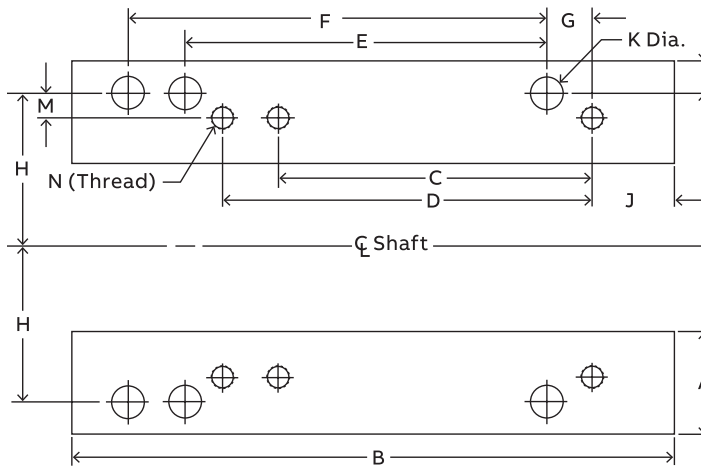
DC

Accessories

Service

Grinders

## Conversion bases dimension diagrams



Catalog Number	Converts From	Converts To	A	B	Height	C	D	E	F	G	H	J	K	L	M	N (Thread)
CB1814T	182-184	143T-145T	2.25	7.50	1.00	4.00	5.00	4.50	5.50	0.50	3.75	1.00	0.437	0.50	1.0	5/16-18
CB2118T	213-215	182T-184T	1.75	8.50	0.75	4.50	5.50	5.50	7.00	1.00	4.25	1.00	0.437	0.437	0.5	3/8-16
CB2521T	254U-256U	213T-215T	2.437	12.75	1.00	5.50	7.00	8.25	10.00	1.125	5.00	1.00	0.562	0.625	0.75	3/8-16
CB2825T	284U-286U	254T-256T	2.75	14.25	0.75	8.25	10.00	9.50	11.00	1.375	5.50	1.25	0.562	0.937	0.5	1/2-13
CB3228T	324U-326U	284T-286T	3.25	15.75	1.00	9.50	11.00	10.50	12.00	1.50	6.25	1.50	0.687	0.937	0.75	1/2-13
CB3632T	364U-365U	324T-326T	3.687	16.50	1.00	10.50	12.00	11.25	12.25	1.75	7.00	1.75	0.687	1.187	0.75	5/8-11
CB4036T	404U-405U	364T-365T	4.25	18.625	1.00	11.25	12.25	12.25	13.75	2.00	8.00	2.00	0.812	1.25	1.0	5/8-11
CB5744T	449T	586/587	6.50	36.75	3.50	25.00	32.00	22.00	25.00	2.50	-	3.5	1.19	2.00	2.50	-
CB5049T	505U	449T	6.00	29.00	1.50	25.00	-	18.00	-	2.188	9.00	2.00	0.94	2.00	1.00	3/4-10

Notes: For all other dimensions, please reference chart above and confirm base and motor will work in your application.