

### Metric IEC Frame Motors, Three Phase, 50/60 Hz, Foot Mounted

.12 thru 90 kW (.16-125 Hp)

**IP55**



#### Features:

- Aluminum or cast iron frame and endplates
- MM catalog motors IE2 efficiency
- EMM catalog motors IE3 efficiency
- Motors listed for use in US are marked with DOE compliance number for use on 460V, 60 Hz
- 6 post terminal block
- Class F insulation with Class B temperature limits
- 3 PTC thermistors standard in 160-250 aluminum frame and 71-280 cast iron frame
- Inverter ready Frames 63-250 2:1 CT & 20:1 VT

#### Applications:

- Pumps
- Compressors
- Fans
- Conveyors
- General purpose requiring IEC metric mounting

kW/HP	RPM	IEC Frame	Catalog Number	ABB Product Code	ABB Type Number	List Price	Mult. Sym.	"L" Dim. (in)	Aprx. Wt. (lb)	Voltage	For Use in US	Notes (a)
.12/.16	1500/1800	63	<b>MM06124-AP</b>	3GAA062311-ASC+002+332	M3AA 63A 4	314	M	8.43	9	230D/400Y,50Hz, 460Y,60Hz	Yes	11, 25
	3000/3600	63	<b>MM06182-AP</b>	3GAA061311-ASC+002+332	M3AA 63A 2	321	M	8.43	9	230D/400Y,50Hz, 460Y,60Hz	Yes	11, 25
.18/.25	1500/1800	63	<b>MM06184-AP</b>	3GAA062312-ASC+002+332	M3AA 63B 4	317	M	8.43	10	230D/400Y,50Hz, 460Y,60Hz	Yes	11, 25
	3000/3600	63	<b>MM06252-AP</b>	3GAA061312-ASC+002+332	M3AA 63B 2	324	M	8.43	10	230D/400Y,50Hz, 460Y,60Hz	Yes	11, 25
.25/.33	1500/1800	71	<b>MM07254-AP</b>	3GAA072311-ASE+332	M3AA 71A 4	257	M	9.45	11	230D/400Y,50Hz, 460Y,60Hz	Yes	11, 25
	3000/3600	71	<b>MM07254-PP</b>	3GBP072321-ASB+332	M3BP 71MA 4	271	M	10.39	22	230D/400Y,50Hz, 460Y,60Hz	Yes	11, 25
.37/.50	1500/1800	71	<b>MM07372-AP</b>	3GAA071311-ASE+332	M3AA 71A 2	267	M	9.45	11	230D/400Y,50Hz, 460Y,60Hz	Yes	11, 25
	3000/3600	71	<b>MM07372-PP</b>	3GBP071321-ASB+332	M3BP 71MA 2	281	M	10.39	24	230D/400Y,50Hz, 460Y,60Hz	Yes	11, 25
.55/.75	1500/1800	71	<b>MM07374-AP</b>	3GAA072312-ASE+332	M3AA 71B 4	290	M	9.45	11	230D/400Y,50Hz, 460Y,60Hz	Yes	11, 25
	3000/3600	71	<b>MM07374-PP</b>	3GBP072322-ASB+332	M3BP 71MB 4	306	M	10.39	24	230D/400Y,50Hz, 460Y,60Hz	Yes	11, 25
.75/1	1500/1800	71	<b>MM07552-AP</b>	3GAA071312-ASE+332	M3AA 71B 2	298	M	9.45	13	230D/400Y,50Hz, 460Y,60Hz	Yes	11, 25
	3000/3600	71	<b>MM07552-PP</b>	3GBP071322-ASB+332	M3BP 71MB 2	314	M	10.39	24	230D/400Y,50Hz, 460Y,60Hz	Yes	11, 25
1.1/1.5	1500/1800	80	<b>MM08554-AP</b>	3GAA082311-ASE+332	M3AA 80A 4	319	M	10.45	19	230D/400Y,50Hz, 460Y,60Hz	Yes	11, 25
	3000/3600	80	<b>MM08554-PP</b>	3GBP082321-ASB+332	M3BP 80MA 4	336	M	12.64	22	230D/400Y,50Hz, 460Y,60Hz	Yes	11, 25
1.5/2	1500/1800	80	<b>MM08752-AP</b>	3GAA081312-ASE+332	M3AA 80B 2	359	M	10.45	23	230D/400Y,50Hz, 460Y,60Hz	No	11, 25
	3000/3600	80	<b>MM08752-PP</b>	3GBP081322-ASB+332	M3BP 80MB 2	379	M	12.64	35	230D/400Y,50Hz, 460Y,60Hz	No	11, 25
2.2/3	1500/1800	80	<b>MM08754-AP</b>	3GAA082314-ASE+332	M3AA 80D 4	374	M	10.45	26	230D/400Y,50Hz, 460Y,60Hz	No	11, 25
	3000/3600	80	<b>MM08754-PP</b>	3GBP082324-ASB+332	M3BP 80MD 4	394	M	12.64	37	230D/400Y,50Hz, 460Y,60Hz	No	11, 25
3/4	1500/1800	80	<b>MM08112-AP</b>	3GAA081313-ASE+332	M3AA 80C 2	393	M	10.45	24	230D/400Y,50Hz, 460Y,60Hz	No	11, 25
	3000/3600	80	<b>MM08112-PP</b>	3GBP081323-ASB+332	M3BP 80MC 2	414	M	12.64	40	230D/400Y,50Hz, 460Y,60Hz	No	11, 25
3/4	1500/1800	90	<b>MM09114-APN</b>	3GAA092520-ASE+332+333	M3AA 90LB 4	403	M1	12.19	35	230D/400Y,50Hz, 460Y,60Hz	No	11, 25
	3000/3600	90	<b>MM09114-PP</b>	3GBP092322-ASB+332+333	M3BP 90SLC 4	449	M1	14.06	57	230D/400Y,50Hz, 460Y,60Hz	No	11, 25
3/4	1500/1800	90	<b>MM09152-APN</b>	3GAA091500-ASE+332+333	M3AA 90L 2	387	M1	12.19	35	230D/400Y,50Hz, 460Y,60Hz	No	11, 25
	3000/3600	90	<b>MM09152-PP</b>	3GBP091322-ASB+332+333	M3BP 90SLB 2	492	M1	14.06	53	230D/400Y,50Hz, 460Y,60Hz	No	11, 25
3/4	1500/1800	90	<b>MM09154-APN</b>	3GAA092540-ASE+332+333	M3AA 90LD 4	475	M1	13.05	35	230D/400Y,50Hz, 460Y,60Hz	No	11, 25
	3000/3600	90	<b>MM09154-PP</b>	3GBP092325-ASB+332+333	M3BP 90SLD 4	530	M1	14.06	62	230D/400Y,50Hz, 460Y,60Hz	No	11, 25
3/4	1500/1800	90	<b>MM09222-APN</b>	3GAA091520-ASE+332+333	M3AA 90LB 2	556	M1	12.19	35	230D/400Y,50Hz, 460Y,60Hz	No	11, 25
	3000/3600	90	<b>MM09222-PP</b>	3GBP091323-ASB+332+333	M3BP 90SLC 2	620	M1	14.06	55	230D/400Y,50Hz, 460Y,60Hz	No	11, 25
3/4	1500/1800	100	<b>MM10224-APN</b>	3GAA102530-ASE+332	M3AA 100LC 4	581	M1	13.82	59	230D/400Y,50Hz, 460Y,60Hz	No	11, 25
	3000/3600	100	<b>MM10224-PP</b>	3GBP102323-ASB+332	M3BP 100LC 4	648	M1	15.00	79	230D/400Y,50Hz, 460Y,60Hz	No	11, 25
3/4	1500/1800	100	<b>MM10032-APN</b>	3GAA101520-ASE+332	M3AA 100LB 2	657	M1	13.82	55	230D/400Y,50Hz, 460Y,60Hz	No	11, 25
	3000/3600	100	<b>MM10032-PP</b>	3GBP101322-ASB+332	M3BP 100LB 2	733	M1	15.00	79	230D/400Y,50Hz, 460Y,60Hz	No	11, 25
3/4	1500/1800	100	<b>MM10034-APN</b>	3GAA102540-ASE+332	M3AA 100LD 4	693	M1	13.82	64	230D/400Y,50Hz, 460Y,60Hz	No	11, 25
	3000/3600	100	<b>MM10034-PP</b>	3GBP102324-ASB+332	M3BP 100LD 4	773	M1	15.00	84	230D/400Y,50Hz, 460Y,60Hz	No	11, 25

(a) See notes on inside back flap.   Cast Iron Frame   Red Catalog Number indicates **NEW** Product.

Motors are stamped with kW only.

Motor listed above are not suitable for use at 690V on VFD.

280 frame motors listed above are not suitable for use on VFD.

Variant codes: 002 = Non-standard rating plate

011 = Fulfilling CSA and NRCAN

332 = Baldor Catalog number stamped on rating plate

333 = Not for use in the USA

509 = Fulfilling EISA Subtype I efficiency requirements, CC031A

531 = Sea freight packaging

Motors shown as "60 Hz Use in US" are compliant with U.S. DOE.







Metric IEC Frame Motors, Three Phase, 60 Hz, 460 Volts

.25 thru 7.5 kW (.33-10 Hp)

IP55



Features:

- Cast iron (severe duty)
- IE3 efficiency per IEC 60034-30
- 6 post terminal block
- Class F insulation with Class B temperature limits
- PTC thermistors (3 in series)
- Inverter ready 2:1 CT & 20:1 VT

Applications:

- Pumps
- Compressors
- Fans
- Conveyors
- General purpose requiring IEC metric mounting

kW/HP	RPM	IEC Frame	Catalog Number	ABB Product Code	ABB Type Number	List Price	Mult. Sym.	"L" Dim. (in)	Aprx. Wt. (lb)	Voltage	For Use in US	Notes (a)
<b>B3, Foot Mounted</b>												
0.25/33	1200	80	EMM08256-PP	3GBP083310-ACK+332	M3BP 80MA 6	417	M	13.03	31	460Y,60hz	Yes	11, 25, 82
0.37/50	1200	80	EMM08376-PP	3GBP083340-ACK+332	M3BP 80MD 6	459	M	13.03	35	460Y,60hz	Yes	11, 25, 82
0.55/75	1800	80	EMM08554-PP	3GBP082440-ACK+332	M3BP 80MLD 4	427	M	14.29	44	460Y,60hz	Yes	11, 25, 82
	1200	80	EMM08556-PP	3GBP083470-ACK+332	M3BP 80MLG 6	525	M	14.29	46	460Y,60hz	Yes	11, 25, 82
0.75/1	3600	80	EMM08752-PP	3GBP081340-ACK+332	M3BP 80MD 2	479	M	13.03	40	460Y,60hz	Yes	11, 25, 82
	1800	80	EMM08754-PP	3GBP082470-ACK+332	M3BP 80MLG 4	499	M	14.29	49	460Y,60hz	Yes	11, 25, 82
	1200	90	EMM09756-PP	3GBP093570-ACK+332+509	M3BP 90LG 6	628	M1	15.35	75	460Y,60hz	Yes	11, 25, 82
1.1/1.5	3600	80	EMM08112-PP	3GBP081370-ACK+332	M3BP 80MG 2	525	M	13.03	42	460Y,60hz	Yes	11, 25, 82
	1200	100	EMM10116-PP	3GBP103870-ACK+332+509	M3BP 100LKG 6	773	M1	17.13	104	460Y,60hz	Yes	11, 25, 82
	1800	90	EMM09114-PP	3GBP092530-ACK+332+509	M3BP 90LC 4	570	M1	15.35	73	460Y,60hz	Yes	11, 25, 82
1.5/2	3600	90	EMM09152-PP	3GBP091520-ACK+332+509	M3BP 90LB 2	622	M1	15.35	68	460Y,60hz	Yes	11, 25, 82
	1800	90	EMM09154-PP	3GBP092540-ACK+332+509	M3BP 90LD 4	670	M1	15.35	75	460Y,60hz	Yes	11, 25, 82
2.2/3	1200	112	EMM11156-PP	3GBP113380-ACK+332+509	M3BP 112MH 6	884	M1	17.40	117	460Y,60hz	Yes	11, 25, 82
	3600	90	EMM09222-PP	3GBP091530-ACK+332+509	M3BP 90LC 2	783	M1	15.35	77	460Y,60hz	Yes	11, 25, 82
	1800	100	EMM10224-PP	3GBP102810-ACK+332+509	M3BP 100LKA 4	821	M1	17.13	108	460Y,60hz	Yes	11, 25, 82
3/4	1200	132	EMM13226-PP	3GBP133230-ACK+332+509	M3BP 132SMC 6	1,109	M1	20.94	179	460Y,60hz	Yes	11, 25, 82
	3600	100	EMM10032-PP	3GBP101810-ACK+332+509	M3BP 100LKA 2	929	M1	17.13	110	460Y,60hz	Yes	11, 25, 82
	1800	100	EMM10034-PP	3GBP102820-ACK+332+509	M3BP 100LKB 4	976	M1	17.13	108	460Y,60hz	Yes	11, 25, 82
4/5.3	1200	132	EMM13036-PP	3GBP133240-ACK+332+509	M3BP 132SMD 6	1,381	M1	20.94	181	460Y,60hz	Yes	11, 25, 82
	3600	112	EMM11042-PP	3GBP111370-ACK+332+509	M3BP 112MG 2	1,107	M1	17.40	123	460Y,60hz	Yes	11, 25, 82
	1800	112	EMM11044-PP	3GBP112370-ACK+332+509	M3BP 112MG 4	1,160	M1	17.40	115	460Y,60hz	Yes	11, 25, 82
5.5/7.5	1200	132	EMM13046-PP	3GBP133270-ACK+332+509	M3BP 132SMG 6	1,719	M1	20.94	181	460Y,60hz	Yes	11, 25, 82
	3600	132	EMM13552-PP	3GBP131260-APK+332+509	M3BP 132SMF 2	1,443	M1	20.94	170	460D,60hz	Yes	11, 25, 82
	1800	132	EMM13554-PP	3GBP132260-APK+332+509	M3BP 132SMF 4	1,486	M1	20.94	179	460D,60hz	Yes	11, 25, 82
7.5/10	1200	132	EMM13556-PP	3GBP133280-APK+332+509	M3BP 132SMH 6	2,126	M1	20.94	174	460D,60hz	Yes	11, 25, 82
	3600	132	EMM13752-PP	3GBP131270-APK+332+509	M3BP 132SMG 2	1,797	M1	20.94	170	460D,60hz	Yes	11, 25, 82
1800	132	EMM13754-PP	3GBP132270-APK+332+509	M3BP 132SMG 4	1,877	M1	20.94	179	460D,60hz	Yes	11, 25, 82	
<b>B5, Flange Mounted</b>												
0.25/33	1200	80	EMVM08256D-PP	3GBP083310-BCK+332	M3BP 80MA 6	482	M	13.03	31	460Y,60hz	Yes	11, 25, 82
0.37/50	1200	80	EMVM08376D-PP	3GBP083340-BCK+332	M3BP 80MD 6	525	M	13.03	35	460Y,60hz	Yes	11, 25, 82
0.55/75	1800	80	EMVM08554D-PP	3GBP082440-BCK+332	M3BP 80MLD 4	497	M	14.29	44	460Y,60hz	Yes	11, 25, 82
	1200	80	EMVM08556D-PP	3GBP083470-BCK+332	M3BP 80MLG 6	590	M	14.29	46	460Y,60hz	Yes	11, 25, 82
0.75/1	3600	80	EMVM08752D-PP	3GBP081340-BCK+332	M3BP 80MD 2	550	M	13.03	40	460Y,60hz	Yes	11, 25, 82
	1800	80	EMVM08754D-PP	3GBP082470-BCK+332	M3BP 80MLG 4	560	M	14.29	49	460Y,60hz	Yes	11, 25, 82
	1200	90	EMVM09756D-PP	3GBP093570-BCK+332+509	M3BP 90LG 6	688	M1	15.35	75	460Y,60hz	Yes	11, 25, 82
1.1/1.5	3600	80	EMVM08112D-PP	3GBP081370-BCK+332	M3BP 80MG 2	590	M	13.03	42	460Y,60hz	Yes	11, 25, 82
	1200	100	EMVM10116D-PP	3GBP103870-BCK+332+509	M3BP 100LKG 6	823	M1	17.13	104	460Y,60hz	Yes	11, 25, 82
	1800	90	EMVM09114D-PP	3GBP092530-BCK+332-509	M3BP 90LC 4	640	M1	15.35	73	460Y,60hz	Yes	11, 25, 82
1.5/2	3600	90	EMVM09152D-PP	3GBP091520-BCK+332+509	M3BP 90LB 2	695	M1	15.35	68	460Y,60hz	Yes	11, 25, 82
	1800	90	EMVM09154D-PP	3GBP092540-BCK+332+509	M3BP 90LD 4	768	M1	15.35	75	460Y,60hz	Yes	11, 25, 82
1200	112	EMVM11156D-PP	3GBP113380-BCK+332+509	M3BP 112MH 6	956	M1	17.40	117	460Y,60hz	Yes	11, 25, 82	

(a) See notes on inside back flap. ■ Cast Iron Frame  
 Motors are stamped with kW only.  
 Motors shown as "60 Hz Use in US" are compliant with U.S. DOE.  
 Please note motors are wound for 460V/60 Hz only.  
 Variant codes: 332 = Baldor Catalog number stamped on rating plate  
 509 = Fulfilling EISA Subtype I efficiency requirements, CC031A

Definite Purpose Motors  
 Unit Handling Motors  
 Brake Motors  
 IEC Frame Motors  
 50 Hertz Motors  
 Inverter/Vector Motors & Controls  
 DC Motors and Controls  
 Gearmotors and Gear Products  
 Motor Accessories  
 Grinders

### Metric IEC Frame Motors, Three Phase, 60 Hz, 460 Volts

.25 thru 7.5 kW (.33-10 Hp)

**IP55**



#### Features:

- Cast iron (severe duty)
- IE3 efficiency per IEC 60034-30
- 6 post terminal block
- Class F insulation with Class B temperature limits
- PTC thermistors (3 in series)
- Inverter ready 2:1 CT & 20:1 VT

#### Applications:

- Pumps
- Compressors
- Fans
- Conveyors
- General purpose requiring IEC metric mounting

kW/HP	RPM	IEC Frame	Catalog Number	ABB Product Code	ABB Type Number	List Price	Mult. Sym.	"L" Dim. (in)	Aprx. Wt. (lb)	Voltage	For Use in US	Notes (a)
<b>B5, Flange Mounted continued</b>												
2.2/3	3600	90	EMVM09222D-PP	3GBP091530-BCK+332+509	M3BP 90LC 2	861	M1	15.35	77	460Y,60hz	Yes	11, 25, 82
	1800	100	EMVM10224D-PP	3GBP102810-BCK+332+509	M3BP 100LKA 4	911	M1	17.13	108	460Y,60hz	Yes	11, 25, 82
	1200	132	EMVM13226D-PP	3GBP133230-BCK+332+509	M3BP 132SMC 6	1,182	M1	20.94	179	460Y,60hz	Yes	11, 25, 82
3/4	3600	100	EMVM10032D-PP	3GBP101810-BCK+332+509	M3BP 100LKA 2	1,022	M1	17.13	110	460Y,60hz	Yes	11, 25, 82
	1800	100	EMVM10034D-PP	3GBP102820-BCK+332+509	M3BP 100LKB 4	1,087	M1	17.13	108	460Y,60hz	Yes	11, 25, 82
	1200	132	EMVM13036D-PP	3GBP133240-BCK+332+509	M3BP 132SMD 6	1,483	M1	20.94	181	460Y,60hz	Yes	11, 25, 82
4/5.3	3600	112	EMVM11042D-PP	3GBP111370-BCK+332+509	M3BP 112MG 2	1,222	M1	17.40	123	460Y,60hz	Yes	11, 25, 82
	1800	112	EMVM11044D-PP	3GBP112370-BCK+332+509	M3BP 112MG 4	1,270	M1	17.40	115	460Y,60hz	Yes	11, 25, 82
	1200	132	EMVM13046D-PP	3GBP133270-BCK+332+509	M3BP 132SMG 6	1,805	M1	20.94	181	460Y,60hz	Yes	11, 25, 82
5.5/7.5	3600	132	EMVM13552D-PP	3GBP131260-BPK+332+509	M3BP 132SMF 2	1,591	M1	20.94	170	460D,60hz	Yes	11, 25, 82
	1800	132	EMVM13554D-PP	3GBP132260-BPK+332+509	M3BP 132SMF 4	1,624	M1	20.94	179	460D,60hz	Yes	11, 25, 82
	1200	132	EMVM13556D-PP	3GBP133280-BPK+332+509	M3BP 132SMH 6	2,194	M1	20.94	174	460D,60hz	Yes	11, 25, 82
7.5/10	3600	132	EMVM13752D-PP	3GBP131270-BPK+332+509	M3BP 132SMG 2	1,933	M1	20.94	170	460D,60hz	Yes	11, 25, 82
	1800	132	EMVM13754D-PP	3GBP132270-BPK+332+509	M3BP 132SMG 4	2,048	M1	20.94	179	460D,60hz	Yes	11, 25, 82
<b>B14, Face Mounted</b>												
0.25/33	1200	80	EMVM08256C-PP	3GBP083310-BCK+047+332	M3BP 80MA 6	602	M	13.03	31	460Y,60hz	Yes	11, 25, 82
0.37/50	1200	80	EMVM08376C-PP	3GBP083340-BCK+047+332	M3BP 80MD 6	645	M	13.03	35	460Y,60hz	Yes	11, 25, 82
0.55/75	1800	80	EMVM08554C-PP	3GBP082440-BCK+047+332	M3BP 80MLD 4	617	M	14.29	44	460Y,60hz	Yes	11, 25, 82
	1200	80	EMVM08556C-PP	3GBP083470-BCK+047+332	M3BP 80MLG 6	710	M	14.29	46	460Y,60hz	Yes	11, 25, 82
0.75/1	3600	80	EMVM08752C-PP	3GBP081340-BCK+047+332	M3BP 80MD 2	670	M	13.03	40	460Y,60hz	Yes	11, 25, 82
	1800	80	EMVM08754C-PP	3GBP082470-BCK+047+332	M3BP 80MLG 4	680	M	14.29	49	460Y,60hz	Yes	11, 25, 82
	1200	90	EMVM09756C-PP	3GBP093570-BCK+047+332+509	M3BP 90LG 6	808	M1	15.35	75	460Y,60hz	Yes	11, 25, 82
1.1/1.5	3600	80	EMVM08112C-PP	3GBP081370-BCK+047+332	M3BP 80MG 2	710	M	13.03	42	460Y,60hz	Yes	11, 25, 82
	1200	100	EMVM10116C-PP	3GBP103870-BCK+047+332+509	M3BP 100LKG 6	944	M1	17.13	104	460Y,60hz	Yes	11, 25, 82
	1800	90	EMVM09114C-PP	3GBP092530-BCK+047+332+509	M3BP 90LC 4	761	M1	15.35	73	460Y,60hz	Yes	11, 25, 82
1.5/2	3600	90	EMVM09152C-PP	3GBP091520-BCK+047+332+509	M3BP 90LB 2	816	M1	15.35	68	460Y,60hz	Yes	11, 25, 82
	1800	90	EMVM09154C-PP	3GBP092540-BCK+047+332+509	M3BP 90LD 4	889	M1	15.35	75	460Y,60hz	Yes	11, 25, 82
	1200	112	EMVM11156C-PP	3GBP113380-BCK+047+332+509	M3BP 112MH 6	1,130	M1	17.40	117	460Y,60hz	Yes	11, 25, 82
2.2/3	3600	90	EMVM09222C-PP	3GBP091530-BCK+047+332+509	M3BP 90LC 2	981	M1	15.35	77	460Y,60hz	Yes	11, 25, 82
	1800	100	EMVM10224C-PP	3GBP102810-BCK+047+332+509	M3BP 100LKA 4	1,032	M1	17.13	108	460Y,60hz	Yes	11, 25, 82
	1200	132	EMVM13226C-PP	3GBP133230-BCK+047+332+509	M3BP 132SMC 6	1,355	M1	20.94	179	460Y,60hz	Yes	11, 25, 82
3/4	3600	100	EMVM10032C-PP	3GBP101810-BCK+047+332+509	M3BP 100LKA 2	1,142	M1	17.13	110	460Y,60hz	Yes	11, 25, 82
	1800	100	EMVM10034C-PP	3GBP102820-BCK+047+332+509	M3BP 100LKB 4	1,207	M1	17.13	108	460Y,60hz	Yes	11, 25, 82
	1200	132	EMVM13036C-PP	3GBP133240-BCK+047+332+509	M3BP 132SMD 6	1,657	M1	20.94	181	460Y,60hz	Yes	11, 25, 82
4/5.3	3600	112	EMVM11042C-PP	3GBP111370-BCK+047+332+509	M3BP 112MG 2	1,396	M1	17.40	123	460Y,60hz	Yes	11, 25, 82
	1800	112	EMVM11044C-PP	3GBP112370-BCK+047+332+509	M3BP 112MG 4	1,443	M1	17.40	115	460Y,60hz	Yes	11, 25, 82
	1200	132	EMVM13046C-PP	3GBP133270-BCK+047+332+509	M3BP 132SMG 6	1,805	M1	20.94	181	460Y,60hz	Yes	11, 25, 82
5.5/7.5	3600	132	EMVM13552C-PP	3GBP131260-BPK+047+332+509	M3BP 132SMF 2	1,765	M1	20.94	170	460D,60hz	Yes	11, 25, 82
	1800	132	EMVM13554C-PP	3GBP132260-BPK+047+332+509	M3BP 132SMF 4	1,797	M1	20.94	179	460D,60hz	Yes	11, 25, 82
	1200	132	EMVM13556C-PP	3GBP133280-BPK+047+332+509	M3BP 132SMH 6	2,367	M1	20.94	174	460D,60hz	Yes	11, 25, 82
7.5/10	3600	132	EMVM13752C-PP	3GBP131270-BPK+047+332+509	M3BP 132SMG 2	2,106	M1	20.94	170	460D,60hz	Yes	11, 25, 82
	1800	132	EMVM13754C-PP	3GBP132270-BPK+047+332+509	M3BP 132SMG 4	2,221	M1	20.94	179	460D,60hz	Yes	11, 25, 82

(a) See notes on inside back flap. ■ Cast Iron Frame

Motors are stamped with kW only. Motors shown as "60 Hz Use in US" are compliant with U.S. DOE. Please note motors are wound for 460V/60 Hz only.

Variant codes: 332 = Baldor Catalog number stamped on rating plate 509 = Fulfilling EISA Subtype I efficiency requirements, CC031A

### Metric IEC Flange Kit for Process Performance Aluminum and Cast Iron Motors (safe area)



Frame Size	Type	Poles	Series	B5 M Dimension	B5 Flange Catalog Number	B14 M Dimension	B14 Flange Catalog Number
63	M3AA	2,4,6	E	115	3GVC061004-E	75	3GVC061004-F
71	M3AA	2,4,6	E	130	3GZE223070-1	85	3GZE223071-1 *
	M3BP	2,4,6	B	130	3GZE223074-1	85	3GZE223075-1
80	M3AA	2,4,6	E	165	3GZE223080-1	100	3GZE223081-1 **
	M3BP	2,4,6	B	165	3GZE223084-1	100	3GZE223085-1
90	M3AA	2,4,6	E	165	3GZE223090-1	115	3GZE223091-1
	M3BP	2,4,6	B,K	165	3GZE223094-1	115	3GZE223095-1
100	M3AA	2,4,6	E	215	3GZE223100-2	130	3GZE223101-2
	M3BP	2,4,6	B	215	3GZE223105-1	130	3GZE223106-1
112	M3AA	2,4,6	E	215	3GZE223100-2	130	3GZE223101-2
	M3BP	2,4,6	B,K	215	3GZE223105-1	130	3GZE223106-1
132	M3AA	2,4,6	E	265	3GZE425205-1	165	AE42536413-1
	M3BP	2,4,6	B,K	265	3GZE223133-1	165	3GZE223134-1
160	M3AA	2,4,6	G,K	300	3GVZ223039-28	215	3GVZ223031-1
	M3BP	2,4,6	G,K	300	3GZF223716-63	N/A	N/A
180	M3AA	2,4,6	G,K	300	3GVZ223039-24	N/A	N/A
	M3BP	2,4,6	G,K	300	3GZF223018-40	N/A	N/A
200	M3AA	2,4,6	G,K	350	3GVZ223008-31	N/A	N/A
	M3BP	2,4,6	G,K	350	3GZF223020-50	N/A	N/A
225	M3AA	2,4,6	G,K	400	3GVZ223008-46	N/A	N/A
	M3BP	2,4,6	G,K	400	3GZF223022-35	N/A	N/A
250	M3BP	2,4,6	G,K	500	3GZF223025-29	N/A	N/A
	M3BP	2	G	500	3GZF223028-8	N/A	N/A
280	M3BP	4,6	G	500	3GZF203728-56	N/A	N/A
	M3BP	2	K	500	3GZF223028-8	N/A	N/A
	M3BP	4,6	K	500	3GZF223028-1	N/A	N/A

\* Bearing retainer, 3GVC071046-B is required when adding flange to B3 motor. \*\* Bearing retainer, 3GVC081046-A is required when adding flange to B3 motor.  
 Red Catalog Number indicates **NEW** Product.  
 Please contact your Baldor representative for price and delivery.

### Metric IEC Frame Motors, Three Phase, 50/60 Hz, B5 Flange .12 thru 90 kW (.16-125 Hp)

**IP55**



#### Features:

- Aluminum & cast iron frame (severe duty)
- MM catalog motors are IE2 efficiency
- EMM catalog motors are IE3 efficiency
- Inverter ready frame 63 - 250 2:1 CT, 10:1 VT
- 6 post terminal block
- Class F insulation with Class B temperature limits
- 3 PTC thermistors standard in 160-250 aluminum frame and 71-280 cast iron frame

#### Applications:

- Pumps
- Compressors
- Fans
- Conveyors
- General purpose requiring IEC metric mounting

kW/HP	RPM	IEC Frame	Catalog Number	ABB Product Code	ABB Type Number	List Price	Mult. Sym.	"L" Dim. (in)	Aprx. Wt. (lb)	Voltage	For Use In US	Notes (a)
.12/.16	1500/1800	63	MVM06124D-AP	3GAA062311-BSC+002+332	M3AA 63A 4	357	M	8.43	9	230D/400Y,50hz, 460Y,60hz	Yes	11, 25
	3000/3600	63	MVM06182D-AP	3GAA061311-BSC+002+332	M3AA 63A 2	350	M	8.43	9	230D/400Y,50hz, 460Y,60hz	Yes	11, 25
.18/.25	1500/1800	63	MVM06184D-AP	3GAA062312-BSC+002+332	M3AA 63B 4	359	M	8.43	10	230D/400Y,50hz, 460Y,60hz	Yes	11, 25
	3000/3600	63	MVM06252D-AP	3GAA061312-BSC+002+332	M3AA 63B 2	355	M	8.43	10	230D/400Y,50hz, 460Y,60hz	Yes	11, 25
.25/.33	1500/1800	71	MVM07254D-AP	3GAA072311-BSE+332	M3AA 71A 4	307	M	9.45	11	230D/400Y,50hz, 460Y,60hz	Yes	11, 25

(a) See notes on inside back flap.



Metric IEC Frame Motors, Three Phase, 50/60 Hz, B5 Flange

Table with columns: kW/Hp, RPM, IEC Frame, Catalog Number, ABB Product Code, ABB Type Number, List Price, Mult. Sym., "L" Dim. (in), Aprx. Wt. (lb), Voltage, For Use In US, Notes (a). Rows include various motor specifications like .37/5, .55/.75, .75/1, 1.1/1.5, 1.5/2, 2.2/3, 3/4, 4/5.3, 5.5/7.5, 7.5/10, 11/15, 15/20, 18.5/25, 22/30, 30/40, 37/50, 45/60, 55/75, 75/100, 90/125.

(a) See notes on inside back flap. Cast Iron Frame

Red Catalog Number indicates NEW Product.

Motors are stamped with kW only.

Motors listed above are not suitable for use at 690V on VFD.

Variant codes: 002 = Non-standard rating plate

011 = Fulfilling CSA Energy Efficiency Verification IE3 includes CSA

242 = Fulfilling CSA Energy Efficiency Verification IE2 includes CSA

332 = Baldor Catalog number stamped on rating plate

333 = Not for use in the USA

408 = Fulfilling EISA Subtype II efficiency requirements, CC031A.

533 = Wooden sea freight packing

Definite Purpose Motors

Unit Handling Motors

Brake Motors

IEC Frame Motors

50 Hertz Motors

Inverter/Vector Motors & Controls

DC Motors and Controls

Gearmotors and Gear Products

Motor Accessories

Grinders

### Metric IEC ATEX/IECEX Flameproof Ex d IIC T4, Three Phase, 50 Hz, Foot Mounted

.55 thru 45 kW (.75-60 Hp)

**IP55**



#### Features:

- Exd IIC T4 for Zone 1
- Cast iron frame & endplates
- IE2 efficiency per IEC 60034-30
- 6 post terminal block
- Class F insulation with Class B temperature limits
- Certified for both ATEX & IECEx as standard

#### Applications:

- Hazardous gas locations

kW/HP	RPM	IEC Frame	Catalog Number	ABB Product Code	ABB Type Number	List Price	Mult. Sym.	"L" Dim. (in)	Aprx. Wt. (lb)	Voltage	For Use in US	Notes (a)
.55/.75	1500	80	<b>MM08554-EX2</b>	3GJP082310-ASH+332+461	M3JP 80MA 4	1,263	M	13.39	84	230D/400Y/415Y,50hz	No	11, 25
.75/1	1500	80	<b>MM08754-EX2</b>	3GJP082320-ASH+332+461	M3JP 80MB 4	1,314	M	13.39	84	230D/400Y/415Y,50hz	No	11, 25
1.1/1.5	1500	90	<b>MM09114-EX2</b>	3GJP092010-ASH+332+461	M3JP 90SLA 4	1,474	M1	15.94	112	230D/400Y/415Y,50hz	No	11, 25
1.5/2	1500	90	<b>MM09154-EX2</b>	3GJP092030-ASH+332+461	M3JP 90SLC 4	1,604	M1	15.94	117	230D/400Y/415Y,50hz	No	11, 25
2.2/3	1500	100	<b>MM10224-EX2</b>	3GJP102510-ASH+332+461	M3JP 100LA 4	1,883	M1	20.47	154	230D/400Y/415Y,50hz	No	11, 25
3/4	1500	100	<b>MM10034-EX2</b>	3GJP102520-ASH+332+461	M3JP 100LB 4	2,110	M1	20.47	159	230D/400Y/415Y,50hz	No	11, 25
4/5.3	1500	112	<b>MM11044-EX2</b>	3GJP112330-ASH+332+461	M3JP 112MC 4	2,253	M1	20.47	179	230D/400Y/415Y,50hz	No	11, 25
5.5/7.5	1500	132	<b>MM13554-EX2</b>	3GJP132220-ADH+332+461	M3JP 132SMB 4	2,972	M1	22.83	245	400D/415D/690Y,50hz	No	11, 25
7.5/10	1500	132	<b>MM13754-EX2</b>	3GJP132240-ADH+332+461	M3JP 132SMD 4	3,432	M1	22.83	251	400D/415D/690Y,50hz	No	11, 25
11/15	1500	160	<b>MM16114-EX2</b>	3GJP162430-ADH+332+461	M3JP 160MLC 4	4,167	M1	27.99	511	400D/415D/690Y,50hz	No	11, 25
15/20	1500	160	<b>MM16154-EX2</b>	3GJP162450-ADH+332+461	M3JP 160MLE 4	5,038	M1	27.99	562	400D/415D/690Y,50hz	No	11, 25
18.5/25	1500	180	<b>MM18184-EX2</b>	3GJP182410-ADH+332+461	M3JP 180MLA 4	6,585	M1	27.80	611	400D/415D/690Y,50hz	No	11, 25
22/30	1500	180	<b>MM18224-EX2</b>	3GJP182420-ADH+332+461	M3JP 180MLB 4	7,190	M1	27.80	628	400D/415D/690Y,50hz	No	11, 25
30/40	1500	200	<b>MM20304-EX2</b>	3GJP202420-ADG+332+461	M3JP 200MLB 4	9,172	M1	30.47	750	400D/415D/690Y,50hz	No	11, 25
37/50	1500	225	<b>MM22374-EX2</b>	3GJP222220-ADG+332+461	M3JP 225SMB 4	11,345	M1	34.29	860	400D/415D/690Y,50hz	No	11, 25
45/60	1500	225	<b>MM22454-EX2</b>	3GJP222230-ADG+332+461	M3JP 225SMC 4	12,676	M1	34.29	937	400D/415D/690Y,50hz	No	11, 25

(a) See notes on inside back flap.

■ Cast Iron Frame

Motors are stamped with kW only.

The above motors are suitable for VFD operation on 230, 400 and 415 volts with the addition of appropriate modification(s).

For sizing or further details, please contact your Baldor Sales Representative.

Motors in stock may be rated Exd IIC T4 or with new EPL standard Exd IIC T4 Gb. Exde IIC T4 stamped motors cannot be renameplated with new EPL standard.

If new EPL rating is required, please contact your Baldor sales representative.

Variant codes: 332 = Baldor Catalog number stamped on rating plate

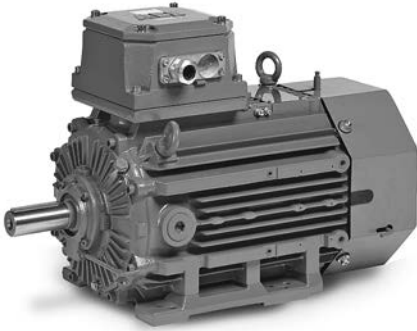
461 = Exd design, Group II C



### Metric IEC ATEX/IECEX Flameproof Ex de IIC T4, Three Phase, 50 Hz, Foot Mounted

.55 thru 45 kW (.75-60 Hp)

**IP55**



#### Features:

- Exde IIC T4 for Zone 1
- Cast iron frame & endplates
- IE2 efficiency per IEC 60034-30
- 6 post terminal block
- Class F insulation with Class B temperature limits
- Certified for both ATEX & IECEx as standard

#### Applications:

- Hazardous gas locations

KW/HP	RPM	IEC Frame	Catalog Number	ABB Product Code	ABB Type Number	List Price	Mult. Sym.	"L" Dim. (in)	Aprx. Wt. (lb)	Voltage	For Use in US	Notes (a)
.55/.75	1500	80	<b>MM08554-EX3</b>	3GKP082310-ASH+332+461	M3KP 80MA 4	1,162	M	13.39	84	230D/400Y/415Y,50hz	No	11, 25
.75/1	1500	80	<b>MM08754-EX3</b>	3GKP082320-ASH+332+461	M3KP 80MB 4	1,205	M	13.39	84	230D/400Y/415Y,50hz	No	11, 25
1.1/1.5	1500	90	<b>MM09114-EX3</b>	3GKP092010-ASH+332+461	M3KP 90SLA 4	1,355	M1	15.94	112	230D/400Y/415Y,50hz	No	11, 25
1.5/2	1500	90	<b>MM09154-EX3</b>	3GKP092030-ASH+332+461	M3KP 90SLC 4	1,471	M1	15.94	117	230D/400Y/415Y,50hz	No	11, 25
2.2/3	1500	100	<b>MM10224-EX3</b>	3GKP102510-ASH+332+461	M3KP 100LA 4	1,730	M1	18.90	154	230D/400Y/415Y,50hz	No	11, 25
3/4	1500	100	<b>MM10034-EX3</b>	3GKP102520-ASH+332+461	M3KP 100LB 4	1,938	M1	18.90	159	230D/400Y/415Y,50hz	No	11, 25
4/5.3	1500	112	<b>MM11044-EX3</b>	3GKP112330-ASH+332+461	M3KP 112MC 4	2,253	M1	18.90	179	230D/400Y/415Y,50hz	No	11, 25
5.5/7.5	1500	132	<b>MM13554-EX3</b>	3GKP132220-ADH+332+461	M3KP 132SMB 4	2,739	M1	22.05	245	400D/415D/690Y,50hz	No	11, 25
7.5/10	1500	132	<b>MM13754-EX3</b>	3GKP132240-ADH+332+461	M3KP 132SMD 4	3,165	M1	22.05	251	400D/415D/690Y,50hz	No	11, 25
11/15	1500	160	<b>MM16114-EX3</b>	3GKP162430-ADH+332+461	M3KP 160MLC 4	3,828	M1	27.99	511	400D/415D/690Y,50hz	No	11, 25
15/20	1500	160	<b>MM16154-EX3</b>	3GKP162450-ADH+332+461	M3KP 160MLE 4	4,627	M1	27.99	562	400D/415D/690Y,50hz	No	11, 25
18.5/25	1500	180	<b>MM18184-EX3</b>	3GKP182410-ADH+332+461	M3KP 180MLA 4	6,077	M1	27.80	611	400D/415D/690Y,50hz	No	11, 25
22/30	1500	180	<b>MM18224-EX3</b>	3GKP182420-ADH+332+461	M3KP 180MLB 4	6,609	M1	27.80	628	400D/415D/690Y,50hz	No	11, 25
30/40	1500	200	<b>MM20304-EX3</b>	3GKP202420-ADG+332+461	M3KP 200MLB 4	8,446	M1	30.47	750	400D/415D/690Y,50hz	No	11, 25
37/50	1500	225	<b>MM22374-EX3</b>	3GKP222220-ADG+332+461	M3KP 225SMB 4	10,474	M1	34.29	816	400D/415D/690Y,50hz	No	11, 25
45/60	1500	225	<b>MM22454-EX3</b>	3GKP222230-ADG+332+461	M3KP 225SMC 4	11,684	M1	34.29	893	400D/415D/690Y,50hz	No	11, 25

(a) See notes on inside back flap.

■ Cast Iron Frame

Motors are stamped with kW only.

The above motors are suitable for VFD operation on 230, 400 and 415 volts with the addition of appropriate modification(s).

For sizing or further details, please contact your Baldor Sales Representative.

Motors in stock may be rated Exde IIC T4 or with new EPL standard Exde IIC T4 Gb. Exde IIC T4 stamped motors cannot be renameplated with new EPL standard.

If new EPL rating is required, please contact your Baldor sales representative.

Variant codes: 332 = Baldor Catalog number stamped on rating plate

461 = Exd design, Group II C

### Metric IEC ATEX/IECEX Non-Sparking Ex nA II T3, Three Phase, 50 Hz, Foot Mounted

.55 thru 90 kW (.75-125 Hp)

**IP55**



#### Features:

- Non-Sparking (Ex nA) for zone 2
- Cast Iron frame & endplates
- IE2 efficiency per IEC 600034-30
- 6 post terminal block
- Class F insulation with Class B temperature limits
- Certified for both ATEX and IECEx as standard
- Applications:

#### Applications:

- Hazardous gas locations

KW/Hp	RPM	IEC Frame	Catalog Number	ABB Product Code	ABB Type Number	List Price	Mult. Sym.	"L" Dim. (in)	Aprx. Wt. (lb)	Voltage	Full Load Amps	For Use in US	Notes (a)
.55/.75	1500	80	<b>MM08554-EX1</b>	3GGP082310-ASH+332	M3GP 80MA 4	1,033	M	13.39	84	230D/400Y/415Y,50hz	1.4	No	11, 25
.75/1	1500	80	<b>MM08754-EX1</b>	3GGP082320-ASH+332	M3GP 80MB 4	1,077	M	13.39	84	230D/400Y/415Y,50hz	1.8	No	11, 25
1.1/1.5	1500	90	<b>MM09114-EX1</b>	3GGP092010-ASH+332	M3GP 90SLA 4	1,200	M1	15.95	112	230D/400Y/415Y,50hz	2.3	No	11, 25
1.5/2	1500	90	<b>MM09154-EX1</b>	3GGP092030-ASH+332	M3GP 90SLC 4	1,316	M1	15.95	117	230D/400Y/415Y,50hz	3.2	No	11, 25
2.2/3	1500	100	<b>MM10224-EX1</b>	3GGP102510-ASH+332	M3GP 100LA 4	1,525	M1	18.90	134	230D/400Y/415Y,50hz	4.3	No	11, 25
3/4	1500	100	<b>MM10034-EX1</b>	3GGP102520-ASH+332	M3GP 100LB 4	1,733	M1	18.90	139	230D/400Y/415Y,50hz	6	No	11, 25
4/5.3	1500	112	<b>MM11044-EX1</b>	3GGP112330-ASH+332	M3GP 112MC 4	1,997	M1	18.90	159	230D/400Y/415Y,50hz	8.7	No	11, 25
5.5/7.5	1500	132	<b>MM13554-EX1</b>	3GGP132220-ADH+332	M3GP 132SMB 4	2,405	M1	22.50	225	400D/415D/690Y,50hz	11.4	No	11, 25
7.5/10	1500	132	<b>MM13754-EX1</b>	3GGP132240-ADH+332	M3GP 132SMD 4	2,831	M1	22.50	244	400D/415D/690Y,50hz	16.1	No	11, 25
11/15	1500	160	<b>MM16114-EX1</b>	3GGP162430-ADH+332	M3GP 160MLC 4	1,980	M1	27.99	498	400D/415D/690Y,50hz	21.2	No	11, 25
15/20	1500	160	<b>MM16154-EX1</b>	3GGP162450-ADH+332	M3GP 160MLE 4	2,493	M1	27.99	549	400D/415D/690Y,50hz	28	No	11, 25
18.5/25	1500	180	<b>MM18184-EX1</b>	3GGP182410-ADH+332	M3GP 180MLA 4	2,880	M1	27.80	597	400D/415D/690Y,50hz	35.1	No	11, 25
22/30	1500	180	<b>MM18224-EX1</b>	3GGP182420-ADH+332	M3GP 180MLB 4	3,388	M1	27.80	615	400D/415D/690Y,50hz	41.7	No	11, 25
30/40	1500	200	<b>MM20304-EX1</b>	3GGP202420-ADG+332	M3GP 200MLB 4	4,404	M1	30.47	672	400D/415D/690Y,50hz	54.4	No	11, 25
37/50	1500	225	<b>MM22374-EX1</b>	3GGP222220-ADG+332	M3GP 225SMB 4	5,276	M1	34.29	783	400D/415D/690Y,50hz	67.1	No	11, 25
45/60	1500	225	<b>MM22454-EX1</b>	3GGP222230-ADG+332	M3GP 225SMC 4	6,389	M1	34.29	860	400D/415D/690Y,50hz	78.4	No	11, 25
55/75	1500	250	<b>MM25554-EX1</b>	3GGP252210-ADG+332	M3GP 250SMA 4	7,696	M1	34.45	915	400D/415D/690Y,50hz	100	No	11, 25
75/100	1500	280	<b>MM28754-EX1</b>	3GGP282210-ADG+332+531	M3GP 280SMA 4	11,253	M1	42.83	1377	400D/415D/690Y,50hz	134	No	11, 25
90/125	1500	280	<b>MM28904-EX1</b>	3GGP282220-ADG+332+531	M3GP 280SMB 4	12,971	M1	42.83	1466	400D/415D/690Y,50hz	159	No	11, 25

(a) See notes on inside back flap.

■ Cast Iron Frame

Motors are stamped with kW only.

The above motors are only suitable for VFD use on 230, 400 and 415 volts in conjunction with an ABB ACS550 or ACS800 DTC (Direct Torque Control), as well as the addition of Variant Code 163. For sizing or further details, please contact your Baldor Sales Representative.

Motors in stock may be rated ExnA II T3 or with new EPL standard ExnA IIC T3 Gc. ExnA II T3 stamped motors cannot be renameplated with new EPL standard.

If new EPL rating is required, please contact your Baldor sales representative.

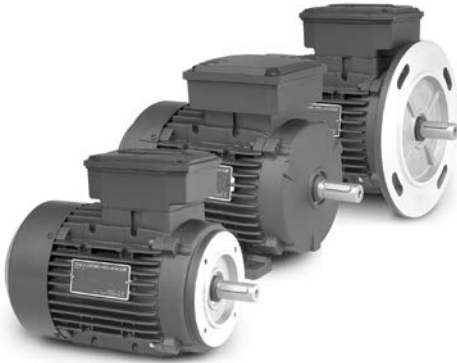
Variant codes: 332 = Baldor Catalog number stamped on rating plate

531 = Sea freight packaging

**Metric IEC Frame Motors, Three Phase, 60 Hz, 230/460 Volts**

**0.18 thru 1.5 kW (.25 thru 2 Hp)**

**IP55**



**Features:**

- Class F insulation with Class B temperature limits
- 1.15 SF
- Weather proof enclosure
- Aluminum frame
- Recognized to both U.S. and Canadian requirements by U.L.

**Applications:**

- Replacement motors for equipment made in Europe
- Motors requiring IEC metric mounting

kW/HP	RPM	IEC Frame	Catalog Number	List Price	Mult. Sym.	"L" Dim. (in)	Aprx. Wt. (lb)	Full Load Efficiency	60 Hz Voltage	Full Load Amps	60 Hz Use in US	Notes (a)
<b>B3, Foot Mounted</b>												
.18/.25	3600	D63	<b>MM5100</b>	272	K	8.74	8	65	230/460	0.6	Yes	11, 48
	1800	D63	<b>MM5150</b>	285	K	8.74	9	62	230/460	0.7	Yes	11, 48
.25/.33	3600	D63	<b>MM5200</b>	294	K	8.74	9	69	230/460	0.8	Yes	11, 48
.37/.50	1800	D71	<b>MM5350</b>	338	K	9.60	13	71	230/460	1.3	Yes	11, 48
	3600	D71	<b>MM5400</b>	345	K	9.60	14	74	230/460	1.5	Yes	11, 48
.55/.75	1800	D80	<b>MM5450</b>	378	K	10.71	18	73	230/460	1.7	Yes	11, 48
	3600	D80	<b>MM5500</b>	392	K	10.71	18	77	230/460	2	Yes	11, 16, 48
.75/1	1800	D80	<b>EMM5550</b>	649	K	10.71	21	85.5	230/460	1.5	Yes	11, 48
		D80	<b>MM5550</b>	411	K	10.71	20	73	230/460	2.3	Yes	11, 16, 48
1.1/1.5	3600	D80	<b>EMM5600</b>	645	K	10.71	22	85.4	230/460	2	Yes	11, 48
		D80	<b>MM5600</b>	452	K	10.71	21	80	230/460	2.7	Yes	11, 16, 48
1.5/2	1800	D90S	<b>EMM5650</b>	675	K	11.93	42	86.5	230/460	2.2	Yes	11, 48
		D90L	<b>EMM5700</b>	763	K	11.93	37	85.5	230/460	2.8	Yes	11, 48
1.5/2	1800	D90L	<b>EMM5750</b>	835	K	12.91	42	86.5	230/460	2.9	Yes	11, 48
		<b>B5, Flange Mounted</b>										
.18/.25	3600	D63D	<b>MVM5100D</b>	285	K	8.74	9	65	230/460	0.6	Yes	11, 48
	1800	D63D	<b>MVM5150D</b>	308	K	8.74	10	62	230/460	0.7	Yes	11, 48
.25/.33	1800	D71D	<b>MVM5250D</b>	329	K	9.60	14	68	230/460	0.8	Yes	11, 48
		D71D	<b>MVM5300D</b>	345	K	9.60	14	71	230/460	1	Yes	11, 48
.37/.50	1800	D71D	<b>MVM5350D</b>	359	K	9.60	14	71	230/460	1.3	Yes	11, 48
		D71D	<b>MVM5400D</b>	362	K	9.60	15	74	230/460	1.5	Yes	11, 48
.55/.75	1800	D80D	<b>MVM5450D</b>	404	K	10.71	19	73	230/460	1.7	Yes	11, 48
		D80D	<b>EMVM5500D</b>	598	K	10.71	20	85	230/460	1.5	Yes	11, 48
.75/1	3600	D80D	<b>MVM5500D</b>	418	K	10.71	19	77	230/460	2	Yes	11, 16, 48
		D80D	<b>EMVM5550D</b>	682	K	10.71	22	85.5	230/460	1.5	Yes	11, 48
.75/1	1800	D80D	<b>MVM5550D</b>	443	K	10.71	21	73	230/460	2.3	Yes	11, 16, 48
		D80D	<b>EMVM5600D</b>	678	K	10.71	23	85.4	230/460	2	Yes	11, 48
1.1/1.5	3600	D80D	<b>MVM5600D</b>	475	K	10.71	22	80	230/460	2.7	Yes	11, 16, 48
		D90SD	<b>EMVM5650D</b>	742	K	12.09	44	86.5	230/460	2.2	Yes	11, 48
1.5/2	1800	D90LD	<b>EMVM5750D</b>	877	K	12.09	44	86.5	230/460	2.9	Yes	11, 48
<b>B14, Face Mounted</b>												
.18/.25	1800	D63C	<b>MVM5150C</b>	304	K	8.74	9	62	230/460	0.7	Yes	11, 48
	3600	D63C	<b>MVM5200C</b>	315	K	8.74	9	69	230/460	0.8	Yes	11, 48
.25/.33	1800	D71C	<b>MVM5250C</b>	324	K	9.60	13	68	230/460	0.8	Yes	11, 48
		D71C	<b>MVM5300C</b>	333	K	9.60	13	71	230/460	1	Yes	11, 48
.37/.50	1800	D71C	<b>MVM5350C</b>	355	K	9.60	13	71	230/460	1.3	Yes	11, 48
		D71C	<b>MVM5400C</b>	359	K	9.60	14	74	230/460	1.5	Yes	11, 48
.55/.75	1800	D80C	<b>MVM5450C</b>	397	K	10.71	18	73	230/460	1.7	Yes	11, 48
		D80C	<b>EMVM5550C</b>	682	K	10.71	21	85.5	230/460	1.5	Yes	11, 48
.75/1	1800	D80C	<b>MVM5550C</b>	432	K	10.71	20	73	230/460	2.3	Yes	11, 16, 48
		D80C	<b>EMVM5600C</b>	678	K	10.71	22	85.4	230/460	2	Yes	11, 48
1.1/1.5	3600	D80C	<b>MVM5600C</b>	475	K	10.71	21	80	230/460	2.7	Yes	11, 16, 48
		D90SC	<b>EMVM5650C</b>	742	K	12.09	42	86.5	230/460	2.2	Yes	11, 48
1.5/2	3600	D90SC	<b>EMVM5700C</b>	801	K	12.09	37	85.5	230/460	2.8	Yes	11, 48
		D90LC	<b>EMVM5750C</b>	877	K	12.09	42	86.5	230/460	2.9	Yes	11, 48

(a) See notes on inside back flap. Red Catalog Number indicates **NEW** Product.

**Metric IEC Frame Motors, Three Phase,  
60 Hz, 575 Volts**

**0.18 thru 1.5 kW (.25 thru 2 Hp)**

**IP55**

Definite Purpose  
Motors

Unit Handling  
Motors

Brake Motors

IEC Frame  
Motors

50 Hertz  
Motors

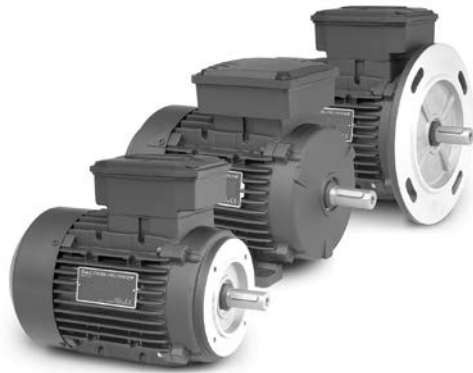
Inverter/Vector  
Motors & Controls

DC Motors  
and Controls

Gearmotors and  
Gear Products

Motor  
Accessories

Grinders



**Features:**

- Class F insulation with Class B temperature limits
- 1.15 SF
- Weather proof enclosure
- Aluminum frame
- Recognized to both U.S. and Canadian requirements by U.L.

**Applications:**

- Replacement motors for equipment made in Europe
- Motors requiring IEC metric mounting

kW/HP	RPM	IEC Frame	Catalog Number	List Price	Mult. Sym.	"L" Dim. (in)	Aprx. Wt. (lb)	Full Load Efficiency	60 Hz Voltage	Full Load Amps	60 Hz Use in US	Notes (a)
<b>B3, Foot Mounted</b>												
.18/.25	3600	D63	MM5100-5	272	K	8.74	8	65	575	0.4	Yes	11, 48
	1800	D63	MM5150-5	285	K	8.74	9	62	575	0.7	Yes	11, 48
.25/.33	3600	D63	MM5200-5	294	K	8.74	9	69	575	0.6	Yes	11, 48
	1800	D71	MM5250-5	300	K	9.60	13	68	575	0.7	Yes	11, 48
.37/.50	3600	D71	MM5300-5	306	K	9.60	13	71	575	0.7	Yes	11, 48
	1800	D71	MM5350-5	338	K	9.60	13	71	575	1.3	Yes	11, 48
.55/.75	3600	D71	MM5400-5	345	K	9.60	14	74	575	1.1	Yes	11, 48
.75/1	3600	D80	MM5500-5	392	K	10.71	18	77	575	1.5	Yes	11, 16, 48
	1800	D80	MM5550-5	411	K	10.71	20	73	575	1.7	Yes	11, 16, 48
1.1/1.5	3600	D80	MM5600-5	452	K	10.71	21	80	575	2	Yes	11, 16, 48
	1800	D90S	EMM5650-5	675	K	11.93	42	86.5	575	1.8	Yes	11, 48
1.5/2	3600	D90S	EMM5700-5	763	K	11.93	37	85.5	575	2.3	Yes	11, 48
	1800	D90L	EMM5750-5	835	K	12.91	42	86.5	575	2.4	Yes	11, 48
<b>B5, Flange Mounted</b>												
.18/.25	3600	D63D	MVM5100D-5	285	K	8.74	9	65	575	0.4	Yes	11, 48
	1800	D63D	MVM5150D-5	308	K	8.74	10	62	575	0.7	Yes	11, 48
.25/.33	3600	D63D	MVM5200D-5	320	K	8.74	10	69	575	0.6	Yes	11, 48
	1800	D71D	MVM5250D-5	329	K	9.60	14	68	575	0.7	Yes	11, 48
.37/.50	3600	D71D	MVM5300D-5	345	K	9.60	14	71	575	0.7	Yes	11, 48
	1800	D71D	MVM5350D-5	359	K	9.60	14	71	575	1.3	Yes	11, 48
.55/.75	3600	D71D	MVM5400D-5	362	K	9.60	15	74	575	1.1	Yes	11, 48
	1800	D80D	MVM5450D-5	404	K	10.71	19	73	575	1.2	Yes	11, 48
.75/1	3600	D80D	MVM5500D-5	418	K	10.71	19	77	575	1.5	Yes	11, 16, 48
	1800	D80D	MVM5550D-5	443	K	10.71	21	73	575	1.7	Yes	11, 16, 48
1.1/1.5	3600	D80D	MVM5600D-5	475	K	10.71	22	80	575	2	Yes	11, 16, 48
	1800	D90SD	EMVM5650D-5	742	K	11.93	44	86.5	575	1.8	Yes	11, 48
1.5/2	3600	D90SD	EMVM5700D-5	801	K	11.93	39	85.5	575	2.3	Yes	11, 48
	1800	D90LD	EMVM5750D-5	877	K	12.91	44	86.5	575	2.4	Yes	11, 48
<b>B14, Face Mounted</b>												
.18/.25	3600	D63C	MVM5100C-5	281	K	8.74	8	65	575	0.4	Yes	11, 48
	1800	D63C	MVM5150C-5	304	K	8.74	9	62	575	0.7	Yes	11, 48
.25/.33	3600	D63C	MVM5200C-5	315	K	8.74	9	69	575	0.6	Yes	11, 48
	1800	D71C	MVM5250C-5	324	K	9.60	13	68	575	0.7	Yes	11, 48
.37/.50	3600	D71C	MVM5300C-5	333	K	9.60	13	71	575	0.7	Yes	11, 48
	1800	D71C	MVM5350C-5	355	K	9.60	13	71	575	1.3	Yes	11, 48
.55/.75	3600	D71C	MVM5400C-5	359	K	9.60	14	74	575	1.1	Yes	11, 48
	1800	D80C	MVM5450C-5	397	K	10.71	18	73	575	1.2	Yes	11, 48
.75/1	3600	D80C	MVM5500C-5	412	K	10.71	18	77	575	1.5	Yes	11, 16, 48
	1800	D80C	MVM5550C-5	432	K	10.71	20	73	575	1.7	Yes	11, 16, 48
1.1/1.5	3600	D80C	MVM5600C-5	544	K	10.71	21	80	575	2	Yes	11, 16, 48
	1800	D90SC	EMVM5650C-5	742	K	11.93	42	86.5	575	1.8	Yes	11, 48
1.5/2	3600	D90SC	EMVM5700C-5	801	K	11.93	37	85.5	575	2.3	Yes	11, 48
	1800	D90LC	EMVM5750C-5	877	K	12.91	42	86.5	575	2.4	Yes	11, 48

(a) See notes on inside back flap.

## Metric IEC Frame Motors, 60 Hz – Replacement Parts List

Catalog Number	Description	List Price	Multiplier Symbol
<b>Metric IEC D63</b>			
LFL63B5	IEC D63D, B5, D-Flange, (FL63B5)	130	P1
LFL63B14	IEC D63C, B14, C-Face, (FL63B14)	130	P1
LFC00015	IEC D63, Fan Cover, (XCR00015)	65	P1
LFN00021	IEC D63, Plastic Fan, (XVN00021)	51	P1
LCB63X71	IEC D63-D71, Terminal Box, (XCA00063)	132	P1
<b>Metric IEC D71</b>			
LFL71B5	IEC D71D, B5, D-Flange, (FL71B5)	141	P1
LFL71B14	IEC D71C, B14, C-Face, (FL71B14)	141	P1
LFC00021	IEC D71, Fan Cover, (XCR00021)	65	P1
LFN00031	IEC D71, Plastic Fan, (XVN00031)	51	P1
LCB63X71	IEC D63-D71, Terminal Box, (XCA00063)	132	P1
LBA71	IEC D71, Horz Base (XHDP71)	55	P1
<b>Metric IEC D80</b>			
LFL80B5	IEC D80D, B5, D-Flange, (FL80B5)	146	P1
LFL80B14	IEC D80C, B14, C-Face, (FL80B14)	146	P1
LFC00035	IEC D80, Fan Cover, (XCR00035)	74	P1
LFN00041	IEC D80, Plastic Fan, (XVN00041)	74	P1
LCB80X112	IEC D80-D112, Terminal Box, (XCA00090)	132	P1
LBA80	IEC D80, Horz Base (XHDP80)	88	P1
<b>Metric IEC D90</b>			
LFL90B5	IEC D90D, B5, D-Flange, (FL90B5)	164	P1
LFL90B14	IEC D90C, B14, C-Face, (FL90B14)	164	P1
LFC00041	IEC D90, Fan Cover, (XCR00041)	80	P1
LFN00051	IEC D90, Plastic Fan, (XVN00051)	84	P1
LCB80X112	IEC D80-D112, Terminal Box, (XCA00090)	132	P1
LBA90	IEC D90, Horz Base (XHDP90)	155	P1

Replacement parts for motors in this section only. Not for use on ABB motors

Definite Purpose  
MotorsUnit Handling  
Motors

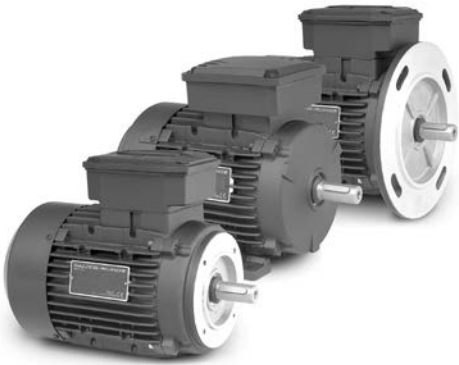
Brake Motors

IEC Frame  
Motors50 Hertz  
MotorsInverter/Vector  
Motors & ControlsDC Motors  
and ControlsGearmotors and  
Gear ProductsMotor  
Accessories

Grinders

**Metric IEC Frame Motors, Three Phase, 60 Hz**

**0.18 thru 1.5 kW (.25 thru 2 Hp)**



**Features:**

- Class F insulation with Class B temperature limits
- 1.15 SF
- Weather proof enclosure
- Aluminum frame
- CSA and CSAus certification #1282269 (LR112981)

**Applications:**

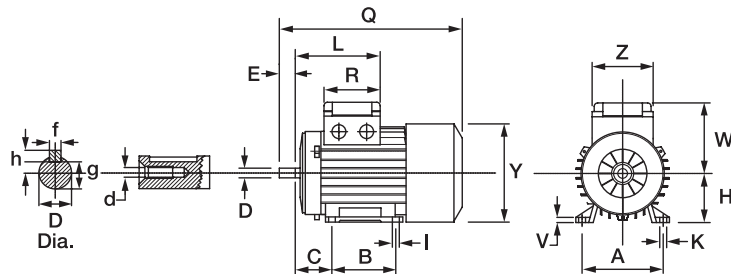
- Replacement motors for equipment made in Europe
- Motors requiring IEC metric mounting

**Dimensions**

IEC Frame	Ø D	E	f	g	h	L	Q	R	V	Y	Z	d
63	11	23	4	8.5	4	112	222	92	8	123	90	M4
71	14	30	5	11	5	115	244	92	8	139	90	M5
80	19	40	6	15.5	6	137	286	116	9.5	157	111	M6
90 S	24	50	8	20	7	143	317	116	11	177	111	M8
90 L	24	50	8	20	7	143	317	116	11	177	111	M8

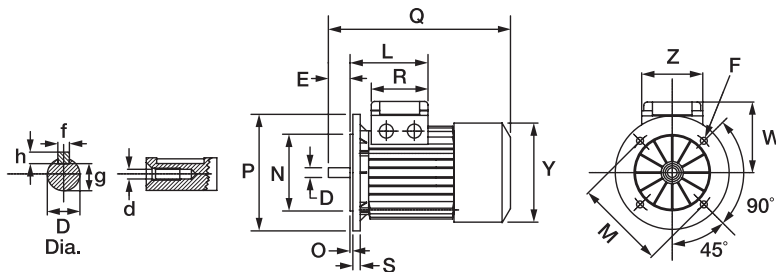
Drawings for motors in this section only. Not for use on ABB motors

**B3 - Foot Mount**



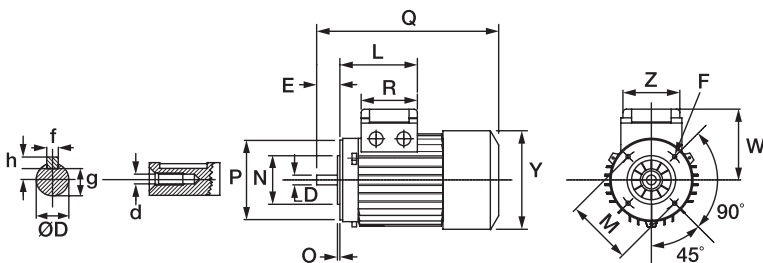
IEC Frame	A	B	C	H	I	K	W
63	100	80	40	63	8	10.5	96.5
71	112	90	45	71	7	10.5	111
80	125	100	50	80	9	14	129
90 S	140	100	56	90	10	14	138
90 L	140	125	56	90	10	14	138

**B5 - Flange Mount**



IEC Frame	F	Ø M	Ø N	O	Ø P	S
63	9.5	115	95	3	140	10
71	9.5	130	110	3.5	160	12
80	11.5	165	130	3.5	200	12
90 S	11.5	165	130	3.5	200	12
90 L	11.5	165	130	3.5	200	12

**B14 - Face Mount**



IEC Frame	F	Ø M	Ø N	O	Ø P
63	M5	75	60	2.5	90
71	M6	85	70	2.5	105
80	M6	100	80	3	120
90 S	M8	115	95	3	140
90 L	M8	115	95	3	140

**Metric IEC, Three Phase, 60 Hz, TEFC, Foot Mounted**

**1.1 thru 15 kW (1.5 thru 20 Hp)**

**IP54**



**Features:**

- IEC-B3 mount
- Conforms to IEC 60072-1 & IEC 60034-1
- Ball bearings with locked DE bearing
- Heavy gauge steel frames
- Gasketed conduit box

**Applications:**

- Pumps
- Fans
- Conveyors
- Machine tools
- Gear reducers

kW/HP	RPM	IEC Frame	Catalog Number	List Price	Mult. Sym.	"L" Dim. (in)	Aprx. Wt. (lb)	Full Load Efficiency	60 Hz Voltage	Full Load Amps	60 Hz Use in US	Notes (a)
1.1/1.5	1800	D90S	EMM3554	767	L1	13.00	44	86.5	230/460	2.2	Yes	30
	3600	D90S	EMM3555	733	L1	13.87	51	86.5	230/460	2.5	Yes	30
1.5/2	1800	D90L	EMM3558	783	K	13.87	45	86.5	230/460	2.9	Yes	30
	3600	D90L	EMM3559	881	L1	15.26	51	87.5	230/460	3.5	Yes	30
2.2/3	1800	D100L	EMM3611	879	L1	15.76	71	89.5	230/460	4.2	Yes	30
	3600	D100L	EMM3613	893	L1	15.76	78	88.5	230/460	5.6	Yes	30
3.7/5	1800	D112M	EMM3615	954	L1	17.66	90	89.5	230/460	6.7	Yes	30
	3600	D132S	EMM3709	1,347	L1	17.66	118	89.5	230/460	9	Yes	30
5.5/7.5	1800	D132S	EMM3710	1,365	L1	18.79	130	91.7	230/460	9.4	Yes	30
	3600	D132S	EMM3711	1,412	L1	17.66	119	90.2	230/460	11.8	Yes	30
7.5/10	1800	D132M	EMM3714	1,544	L1	20.29	165	91.7	230/460	12	Yes	30
	3600	D160M	EMM2333	2,221	L1	23.51	250	92.4	230/460	18.1	Yes	30
11/15	1800	D160M	EMM2333	2,221	L1	23.51	250	92.4	230/460	18.1	Yes	30
15/20	1800	D160L	EMM2334	2,696	L1	23.63	313	93	230/460	25	Yes	30

(a) See notes on inside back flap.

■ Cast Iron Frame

**Metric IEC, Three Phase, 60 Hz, TEFC, B5 Flange**

**0.25 thru 7.5 kW (.33 thru 10 Hp)**

**IP54**



**Features:**

- IEC – B5 flange mount
- Conforms to IEC 60072-1 & IEC 60034-1
- Ball bearings with locked DE bearing
- Heavy gauge steel frames
- Gasketed conduit box

**Applications:**

- Pumps
- Fans
- Conveyors
- Machine tools
- Gear reducers

kW/HP	RPM	IEC Frame	Catalog Number	List Price	Mult. Sym.	“L” Dim. (in)	Aprx. Wt. (lb)	Full Load Efficiency	60 Hz Voltage	Full Load Amps	60 Hz Use in US	Notes (a)
.25/.33	1800	D71D	<b>MVM3458D</b>	538	K	10.74	20	74	230/460	0.7	Yes	30
.37/.50	1800	D71D	<b>MVM3461D</b>	541	K	10.74	20	71	230/460	1.2	Yes	1, 30
.55/.75	1800	D80D	<b>MVM3542D</b>	571	K	10.73	27	75.5	208-230/460	1.5	Yes	
.75/1	3600	D80D	<b>EMVM3545D</b>	767	K	10.73	27	77	230/460	1.6	Yes	1
	1800	D80D	<b>EMVM3546D</b>	791	K	11.61	38	85.5	230/460	1.5	Yes	1, 30
1.1/1.5	3600	D80D	<b>EMVM3550D</b>	802	L1	11.61	38	84	230/460	1.9	Yes	1, 30
	1800	D90SD	<b>EMVM3554D</b>	813	L1	12.99	46	86.5	230/460	2.2	Yes	1, 30
1.5/2	3600	D90LD	<b>EMVM3555D</b>	869	L1	12.99	41	85.5	230/460	2.5	Yes	1, 30
	1800	D90LD	<b>EMVM3558D</b>	846	L1	12.99	48	86.5	230/460	2.9	Yes	1, 30
2.2/3	3600	D90LD	<b>EMVM3559D</b>	942	L1	13.87	57	86.5	230/460	3.6	Yes	1, 30
	1800	D100D	<b>EMVM3611D</b>	1,011	L1	15.55	80	89.5	230/460	4.2	Yes	1, 30
3.7/5	3600	D100LD	<b>EMVM3613D</b>	1,233	L1	13.41	81	88.5	230/460	5.6	Yes	1, 30
	1800	D112MD	<b>EMVM3615D</b>	1,153	L1	14.91	93	89.5	230/460	6.7	Yes	1, 30
5.5/7.5	3600	D132SD	<b>EMVM3709D</b>	1,687	L1	20.47	116	89.5	230/460	8.3	Yes	1, 30
	1800	D132SD	<b>EMVM3710D</b>	1,561	L1	17.33	151	91.7	230/460	9.4	Yes	1, 30
7.5/10	3600	D132SD	<b>EMVM3711D</b>	2,046	L1	16.20	118	90.2	230/460	11.8	Yes	1, 30
	1800	D132MD	<b>EMVM3714D</b>	1,918	L1	18.07	165	91.7	230/460	12	Yes	1, 30

(a) See notes on inside back flap.

Red Catalog Number indicates **NEW** Product.

Definite Purpose Motors

Unit Handling Motors

Brake Motors

IEC Frame Motors

50 Hertz Motors

Inverter/Vector Motors & Controls

DC Motors and Controls

Gearmotors and Gear Products

Motor Accessories

Grinders



**BALDOR • RELIANCE**

**IEC Frame Motors**

**Metric IEC, Three Phase, 60 Hz, TEFC, B14 Face**

0.25 thru 3.7 kW (.33 thru 5 Hp)

**IP54**



**Features:**

- IEC-B14 face mounting
- Ball bearings with locked DE bearing
- Heavy gauge steel frames
- Gasketed conduit box

**Applications:**

- Pumps
- Fans
- Conveyors
- Machine tools
- Gear reducers

kW/Hp	RPM	IEC Frame	Catalog Number	List Price	Mult. Sym.	"L" Dim. (in)	Aprx. Wt. (lb)	Full Load Efficiency	60 Hz Voltage	Full Load Amps	60 Hz Use in US	Notes (a)
.25/.33	1800	D71C	MVM3458C	472	K	10.74	22	74	230/460	0.7	Yes	30
	3600	D71C	MVM3460C	503	K	10.74	22	72	230/460	0.6	Yes	30
.37/.50	1800	D71C	MVM3461C	531	K	10.74	22	71	208-230/460	1.2	Yes	2
	3600	D71C	MVM3463C	523	K	11.24	26	75.5	230/460	1.4	Yes	30
.55/.75	1800	D80C	MVM3542C	557	K	11.11	26	75.5	208-230/460	1.5	Yes	
	3600	D80C	EMVM3546C	776	K	11.38	38	85.5	230/460	1.5	Yes	1,30
.75/1	1800	D90LC	EMVM3558C	827	L1	13.75	50	86.5	230/460	2.9	Yes	1,30
	3600	D90LC	EMVM3559C	924	L1	14.63	58	86.5	230/460	3.6	Yes	1,30
2.2/3	1800	D100C	EMVM3611C	995	L1	15.88	78	89.5	230/460	4.2	Yes	1,30
	3600	D100LC	EMVM3613C	1,218	L1	15.88	81	88.5	230/460	5.6	Yes	1,30
3.7/5	1800	D112MC	EMVM3615C	1,135	L1	17.39	93	89.5	230/460	6.7	Yes	1,30

(a) See notes on inside back flap.  
 Red Catalog Number indicates **NEW** Product.