

## DODGE QUANTIS Gold Gearmotors

Features / Benefits .....	QG-3
How to Order / Nomenclature .....	QG-5
Selection	
ILH .....	QG-6
RHB Solid Output Shaft .....	QG-16
RHB Twin Tapered Bushed. ....	QG-20
Dimensions	
ILH .....	QG-14
RHB Solid Output Shaft .....	QG-18
RHB Twin Tapered Bushed. ....	QG-22
Motor Information .....	QG-24
Part Number Index .....	INDEX-1

# NOTES

---



QUANTIS

QUANTIS GOLD

ILH

RHB

MSM

## DODGE QUANTIS In-Line Helical (ILH) and Right Angle Helical Bevel (RHB) C-Face Gearmotors

QUANTIS ILH and RHB C-face gearmotors are now available with Baldor Super-E® Premium Efficient motors. Energy efficiency has now been brought up to the “Gold” standard.



ILH C-Face Gearmotor



RHB C-Face Gearmotor

### ILH Reducer Specifications:

- Sizes 38 – 88
- NEMA Clamp Collar Design, 56C – 210TC
- Foot Mounted Housing Configuration
- Standard Inch Output Shafts
- Nitrile Input and Output Lip Seals
- A1 Mounting (horizontal, feet down)
- Mobilgear 600 XP 220

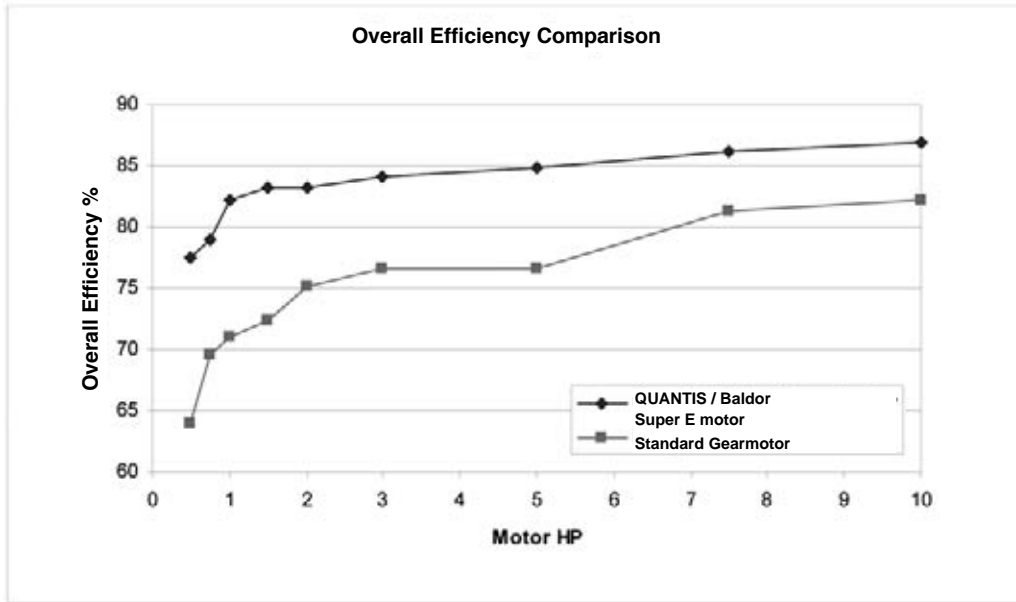
### RHB Reducer Specifications:

- Sizes 38 – 88
- NEMA Clamp Collar Design, 56C – 210TC
- Foot and Flange Mounted Housing Configurations
- Standard Inch Output Shafts (A-side)
- Tapered Hollow Bores with Twin-Tapered Bushings
- Nitrile Input and Output Lip Seals
- A1 Mounting (horizontal, feet down)
- Mobilgear 600 XP 220

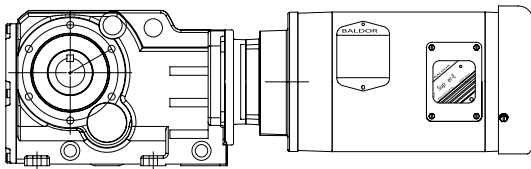
### Baldor Super-E Premium Efficient Motor

- 1800 rpm
- 60 Hz, 230/460v
- TEFC Enclosure
- Rolled Steel (1/2 – 5hp) and Cast Iron (7.5 – 10hp) construction that meet or exceed NEMA premium efficiency levels
- Designed for all standard industrial applications in a dusty, dirty and / or humid environment
- Inverter Capable – Insulation meets NEMA MG1 Part 31.4.4.2
- Suitable for inverter drives for variable torque and 20:1 constant torque applications

## QUANTIS C-Face Reducers with Baldor Premium Efficient Super-E Motors

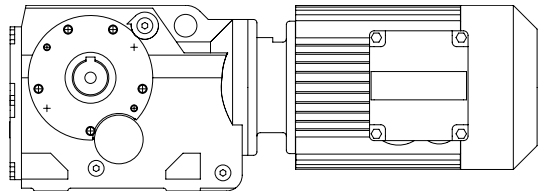


### QUANTIS RHB HELICAL/BEVEL



1 HP Super-E Motor (VEM3546)  
 54.49:1 ratio  
 C-face motor.....87.5% efficient  
 QUANTIS reducer.....94% efficient  
 Total system.....82.25% efficient

### STANDARD GEARMOTOR HELICAL/BEVEL



1 HP Integral motor  
 56.83:1 ratio  
 Integral motor.....75.5% efficient  
 Standard reducer...94% efficient  
 Total system.....70.97% efficient

Yearly savings per unit\* = \$69.20

Savings on typical installation (30 units)\* = \$2,076

Yearly heat load savings per unit\*\* = 1,722,000 BTU

Yearly heat load savings on typical installation (30 units)\*\* = 51,660,000 BTU

\*Based on 20 hr/day, 6 days/week, 50 weeks/year, \$0.08 kW/hr

\*\*Amount of heat that does not need to be removed by air conditioning equipment in a controlled ambient facility.

# HOW TO ORDER/ NOMENCLATURE



## QUANTIS ILH and RHB C-Face Gearmotors

### ILH Example: H3C56S00477G-.5G

H	3	C	56	S	00477	G	.5	G
Housing Configuration	Size	Input Type	Frame	Output Type	Ratio	Style	HP	Motor Type
H = ILH Foot Mounted B = RHB Foot Mounted BF = RHB Flange Mounted	3 = 38 4 = 48 6 = 68 8 = 88	C = Clamp Collar	56 = 56C 14 = 140TC 18 = 180TC 21 = 210TC	S = Solid Inch Shaft (RHB – A side) T = Tapered Hollow	000.00	Quantis Gold	.5 = 1/2 Hp .75 = 3/4 HP 1 = 1 Hp 1.5 = 1-1/2 Hp 2 = 2 Hp 3 = 3 Hp 5 = 5 Hp 7.5 = 7-1/2 Hp 10 = 10 Hp	G = Baldor Super-E

### RHB Example: B3C14S00565G-2G

B	3	C	14	S	00565	G	2	G
Housing Configuration	Size	Input Type	Frame	Output Type	Ratio	Style	HP	Motor Type
H = ILH Foot Mounted B = RHB Foot Mounted BF = RHB Flange Mounted	3 = 38 4 = 48 6 = 68 8 = 88	C = Clamp Collar	56 = 56C 14 = 140TC 18 = 180TC 21 = 210TC	S = Solid Inch Shaft (RHB – A side) T = Tapered Hollow	000.00	Quantis Gold	.5 = 1/2 Hp .75 = 3/4 HP 1 = 1 Hp 1.5 = 1-1/2 Hp 2 = 2 Hp 3 = 3 Hp 5 = 5 Hp 7.5 = 7-1/2 Hp 10 = 10 Hp	G = Baldor Super-E

Note: For Application Selection Guidelines, refer to pages QUANTIS-10 through QUANTIS-22 in the 2009 QUANTIS Gear Engineering Catalog

FEATURES/BENEFITS PAGE QG-3	SELECTION C-FACE GEARMOTOR PAGE QG-6	DIMENSIONS PAGE QG-14	THERMAL RATINGS PAGE ILH-335
--------------------------------	---	--------------------------	---------------------------------

## ILH Foot Mounted, Clamp Collar C-Face Gearmotors Premium Efficient Motor

RPM Range	Size	Ratio	Output RPM	Mechanical Input HP (Max)				1/2	3/4
				56C	140TC	180TC	210TC	56C	56C
409 - 501 RPM	HB 482	4.28	409		5.01				
	HB 482	4.28	409			10.37			
	HB 682	4.22	415			10.35			
	HB 682	4.22	415				24.96		
	HB 682	3.49	501				26.64		
315 - 367 RPM	HB 382	4.77	367	2.02				H3C56S00477G-.5G	
	HB 382	4.77	367		5.01				
	HB 382	5.55	315		5.00				
	HB 482	5.15	340		5.00				
	HB 382	4.77	367			7.19			
	HB 482	5.15	340			10.35			
	HB 682	5.06	346				23.27		
254 - 295 RPM	HB 382	6.16	284	2.02				H3C56S00616G-.5G	
	HB 382	6.16	284		5.00				
	HB 382	6.71	261		4.99				
	HB 482	6.06	289		5.00				
	HB 382	6.71	261			6.01			
	HB 482	6.06	289			10.36			
	HB 482	6.90	254			10.35			
	HB 682	5.93	295				20.31		
200 - 233 RPM	HB 682	6.72	260				24.68		
	HB 382	7.50	233	2.02				H3C56S00750G-.5G	
	HB 382	7.50	233		4.75				
	HB 382	7.52	233		5.00				
	HB 382	8.75	200		5.00				
	HB 482	8.29	211		5.00				
	HB 382	7.50	233			5.59			
	HB 482	8.29	211			9.80			
	HB 682	8.11	216				22.48		
179 - 189 RPM	HB 382	9.70	180	2.02				H3C56S00970G-.5G	
	HB 382	9.70	180		4.86				
	HB 482	9.76	179		5.00				
	HB 382	9.70	180			4.86			
	HB 482	9.76	179			8.79			
	HB 682	9.73	180				20.17		
	HB 882	9.26	189				28.62		

\* Footed, standard inch shaft diameter, A1 mounting position, clamp collar input, 1750 rpm input speed  
For motor information, please reference page QG-24.

NOMENCLATURE PAGE QG-5	DIMENSIONS PAGE QG-14	THERMAL RATINGS PAGE ILH-335	MOTOR INFORMATION PAGE QG-24
---------------------------	--------------------------	---------------------------------	---------------------------------

## ILH Foot Mounted, Clamp Collar C-Face Gearmotors Premium Efficient Motor

1	1-1/2	2	3	5	7-1/2	10
56C	140TC	140TC	180TC	180TC	210TC	210TC
	H4C14S00428G-1.5G	H4C14S00428G-2G				
			H4C18S00428G-3G	H4C18S00428G-5G		
			H6C18S00422G-3G	H6C18S00422G-5G		
					H6C21S00422G-7.5G	H6C21S00422G-10G
					H6C21S00349G-7.5G	H6C21S00349G-10G
H3C56S00477G-1G						
	H3C14S00477G-1.5G	H3C14S00477G-2G				
	H3C14S00555G-1.5G	H3C14S00555G-2G				
	H4C14S00515G-1.5G	H4C14S00515G-2G				
			H3C18S00477G-3G	H3C18S00477G-5G		
			H4C18S00515G-3G	H4C18S00515G-5G		
					H6C21S00506G-7.5G	H6C21S00506G-10G
H3C56S00616G-1G						
	H3C14S00616G-1.5G	H3C14S00616G-2G				
	H3C14S00671G-1.5G	H3C14S00671G-2G				
	H4C14S00606G-1.5G	H4C14S00606G-2G				
			H3C18S00671G-3G	H3C18S00671G-5G		
			H4C18S00606G-3G	H4C18S00606G-5G		
			H4C18S00690G-3G	H4C18S00690G-5G		
					H6C21S00593G-7.5G	H6C21S00593G-10G
					H6C21S00672G-7.5G	H6C21S00672G-10G
H3C56S00750G-1G						
	H3C14S00750G-1.5G	H3C14S00750G-2G				
	H3C14S00752G-1.5G	H3C14S00752G-2G				
	H3C14S00875G-1.5G	H3C14S00875G-2G				
	H4C14S00829G-1.5G	H4C14S00829G-2G				
			H3C18S00750G-3G	H3C18S00750G-5G		
			H4C18S00829G-3G	H4C18S00829G-5G		
					H6C21S00811G-7.5G	H6C21S00811G-10G
H3C56S00970G-1G						
	H3C14S00970G-1.5G	H3C14S00970G-2G				
	H4C14S00976G-1.5G	H4C14S00976G-2G				
			H3C18S00970G-3G			
			H4C18S00976G-3G	H4C18S00976G-5G		
					H6C21S00973G-7.5G	H6C21S00973G-10G
					H8C21S00926G-7.5G	H8C21S00926G-10G

NOMENCLATURE PAGE QG-5	DIMENSIONS PAGE QG-14	THERMAL RATINGS PAGE ILH-335	MOTOR INFORMATION PAGE QG-24
---------------------------	--------------------------	---------------------------------	---------------------------------

## ILH Foot Mounted, Clamp Collar C-Face Gearmotors Premium Efficient Motor

RPM Range	Size	Ratio	Output RPM	Mechanical Input HP (Max.)				1/2	3/4
				56C	140TC	180TC	210TC	56C	56C
143 - 166 RPM	HB 382	11.82	148	2.02				H3C56S01182G-.5G	H3C56S01182G-.75G
	HB 482	12.25	143	2.02				H4C56S01225G-.5G	H4C56S01225G-.75G
	HB 382	10.57	166		4.59				
	HB 382	11.82	148		4.26				
	HB 482	10.93	160		5.00				
	HB 482	12.25	143		5.00				
	HB 482	10.93	160			8.15			
	HB 482	12.25	143			7.55			
	HB 682	11.40	154			10.36			
	HB 682	11.40	154				17.25		
HB 882	10.85	161				27.16			
119 - 129 RPM	HB 382	14.18	123	2.02				H3C56S01418G-.5G	H3C56S01418G-.75G
	HB 482	14.68	119	2.02				H4C56S01468G-.5G	H4C56S01468G-.75G
	HB 382	14.18	123		3.77				
	HB 482	14.68	119		5.00				
	HB 382	14.18	123			3.77			
	HB 482	14.68	119			6.68			
	HB 682	13.59	129			10.36			
	HB 682	14.74	119			10.36			
	HB 682	13.59	129				14.47		
	HB 682	14.74	119				13.34		
HB 882	14.63	120				24.09			
100 - 106 RPM	HB 382	17.33	101	1.84				H3C56S01733G-.5G	H3C56S01733G-.75G
	HB 482	17.55	100	2.02				H4C56S01755G-.5G	H4C56S01755G-.75G
	HB 382	17.33	101		3.12				
	HB 482	17.55	100		4.86				
	HB 482	17.55	100			5.91			
	HB 682	16.45	106			9.95			
	HB 682	16.45	106				11.95		
	HB 882	17.27	101				22.29		
81 - 93 RPM	HB 382	19.64	89	1.67				H3C56S01964G-.5G	H3C56S01964G-.75G
	HB 382	21.67	81	1.55				H3C56S02167G-.5G	H3C56S02167G-.75G
	HB 482	20.95	84	1.96				H4C56S02095G-.5G	H4C56S02095G-.75G
	HB 382	19.64	89		2.75				
	HB 382	21.67	81		2.49				
	HB 482	20.95	84		4.44				
	HB 482	20.95	84			5.24			
	HB 682	20.20	87			8.97			
	HB 682	20.20	87				9.73		
	HB 882	18.72	94				21.46		
HB 882	20.81	84				19.84			

\* Footed, standard inch shaft diameter, A1 mounting position, clamp collar input, 1750 rpm input speed  
For motor information, please reference page QG-24.

NOMENCLATURE PAGE QG-5	DIMENSIONS PAGE QG-14	THERMAL RATINGS PAGE ILH-335	MOTOR INFORMATION PAGE QG-24
---------------------------	--------------------------	---------------------------------	---------------------------------



## ILH Foot Mounted, Clamp Collar C-Face Gearmotors Premium Efficient Motor

1	1-1/2	2	3	5	7-1/2	10
56C	140TC	140TC	180TC	180TC	210TC	210TC
H3C56S01182G-1G						
H4C56S01225G-1G						
	H3C14S01057G-1.5G	H3C14S01057G-2G				
	H3C14S01182G-1.5G	H3C14S01182G-2G				
	H4C14S01093G-1.5G	H4C14S01093G-2G				
	H4C14S01225G-1.5G	H4C14S01225G-2G				
			H4C18S01093G-3G	H4C18S01093G-5G		
			H4C18S01225G-3G	H4C18S01225G-5G		
			H6C18S01140G-3G	H6C18S01140G-5G		
					H6C21S01140G-7.5G	H6C21S01140G-10G
					H8C21S01085G-7.5G	H8C21S01085G-10G
H3C56S01418G-1G						
H4C56S01468G-1G						
	H3C14S01418G-1.5G	H3C14S01418G-2G				
	H4C14S01468G-1.5G	H4C14S01468G-2G				
			H3C18S01418G-3G			
			H4C18S01468G-3G	H4C18S01468G-5G		
			H6C18S01359G-3G	H6C18S01359G-5G		
			H6C18S01474G-3G	H6C18S01474G-5G		
					H6C21S01359G-7.5G	H6C21S01359G-10G
					H6C21S01474G-7.5G	H6C21S01474G-10G
					H8C21S01463G-7.5G	H8C21S01463G-10G
H3C56S01733G-1G						
H4C56S01755G-1G						
	H3C14S01733G-1.5G	H3C14S01733G-2G				
	H4C14S01755G-1.5G	H4C14S01755G-2G				
			H4C18S01755G-3G	H4C18S01755G-5G		
			H6C18S01645G-3G	H6C18S01645G-5G		
					H6C21S01645G-7.5G	H6C21S01645G-10G
					H8C21S01727G-7.5G	H8C21S01727G-10G
H3C56S01964G-1G						
H3C56S02167G-1G						
H4C56S02095G-1G						
	H3C14S01964G-1.5G	H3C14S01964G-2G				
	H3C14S02167G-1.5G	H3C14S02167G-2G				
	H4C14S02095G-1.5G	H4C14S02095G-2G				
			H4C18S02095G-3G	H4C18S02095G-5G		
			H6C18S02020G-3G	H6C18S02020G-5G		
					H6C21S02020G-7.5G	
					H8C21S01872G-7.5G	H8C21S01872G-10G
					H8C21S02081G-7.5G	H8C21S02081G-10G

## ILH Foot Mounted, Clamp Collar C-Face Gearmotors Premium Efficient Motor

RPM Range	Size	Ratio	Output RPM	Mechanical Input HP (Max.)				1/2	3/4
				56C	140TC	180TC	210TC	56C	56C
68 - 77 RPM	HB 382	24.50	71	1.41				H3C56S02450G-.5G	H3C56S02450G-.75G
	HB 382	24.50	71		2.21				
	HB 682	25.55	69		4.36				
	HB 682	25.55	69			7.70			
	HB 682	25.55	69				7.70		
	HB 882	22.61	77				18.26		
61 - 66 RPM	HB 382	27.97	63	1.26				H3C56S02797G-.5G	H3C56S02797G-.75G
	HB 482	26.53	66	1.63				H4C56S02653G-.5G	H4C56S02653G-.75G
	HB 482	28.74	61	1.53				H4C56S02874G-.5G	H4C56S02874G-.75G
	HB 382	27.97	63		1.93				
	HB 482	26.53	66		3.92				
	HB 482	28.74	61		3.77				
	HB 482	26.53	66			4.17			
	HB 482	28.74	61			3.85			
	HB 682	28.25	62			6.96			
	HB 882	26.85	65			9.57			
	HB 882	26.85	65				15.38		
51 - 57 RPM	HB 382	31.80	55	1.13				H3C56S03180G-.5G	H3C56S03180G-.75G
	HB 383	33.82	52	1.60				H3C56S03382G-.5G	H3C56S03382G-.75G
	HB 482	31.77	55	1.40				H4C56S03177G-.5G	H4C56S03177G-.75G
	HB 382	31.80	55		1.70				
	HB 482	31.77	55		3.48				
	HB 682	30.60	57		3.94				
	HB 682	34.49	51		3.69				
	HB 482	31.77	55			3.48			
	HB 682	30.60	57			6.43			
	HB 682	34.49	51			5.70			
	HB 882	31.32	56			8.45			
HB 882	31.32	56				13.18			
45 - 49 RPM	HB 382	39.24	45	.95				H3C56S03924G-.5G	H3C56S03924G-.75G
	HB 383	39.28	45	1.38				H3C56S03928G-.5G	H3C56S03928G-.75G
	HB 482	37.06	47	1.23				H4C56S03706G-.5G	H4C56S03706G-.75G
	HB 483	35.59	49		3.11				
	HB 482	37.06	47		2.98				
	HB 682	37.76	46		3.51				
	HB 683	37.80	46			5.20			
	HB 882	37.27	47			7.30			

\* Footed, standard inch shaft diameter, A1 mounting position, clamp collar input, 1750 rpm input speed  
For motor information, please reference page QG-24.

NOMENCLATURE PAGE QG-5	DIMENSIONS PAGE QG-14	THERMAL RATINGS PAGE ILH-335	MOTOR INFORMATION PAGE QG-24
---------------------------	--------------------------	---------------------------------	---------------------------------

## ILH Foot Mounted, Clamp Collar C-Face Gearmotors Premium Efficient Motor

1	1-1/2	2	3	5	7-1/2	10
56C	140TC	140TC	180TC	180TC	210TC	210TC
H3C56S02450G-1G						
	H3C14S02450G-1.5G	H3C14S02450G-2G				
	H6C14S02555G-1.5G	H6C14S02555G-2G				
			H6C18S02555G-3G	H6C18S02555G-5G		
					H6C21S02555G-7.5G	
					H8C21S02261G-7.5G	H8C21S02261G-10G
H3C56S02797G-1G						
H4C56S02653G-1G						
H4C56S02874G-1G						
	H3C14S02797G-1.5G					
	H4C14S02653G-1.5G	H4C14S02653G-2G				
	H4C14S02874G-1.5G	H4C14S02874G-2G				
			H4C18S02653G-3G			
			H4C18S02874G-3G			
			H6C18S02825G-3G	H6C18S02825G-5G		
			H8C18S02685G-3G	H8C18S02685G-5G		
					H8C21S02685G-7.5G	H8C21S02685G-10G
H3C56S03180G-1G						
H3C56S03382G-1G						
H4C56S03177G-1G						
	H3C14S03180G-1.5G					
	H4C14S03177G-1.5G	H4C14S03177G-2G				
	H6C14S03060G-1.5G	H6C14S03060G-2G				
	H6C14S03449G-1.5G	H6C14S03449G-2G				
			H4C18S03177G-3G			
			H6C18S03060G-3G	H6C18S03060G-5G		
			H6C18S03449G-3G	H6C18S03449G-5G		
			H8C18S03132G-3G	H8C18S03132G-5G		
					H8C21S03132G-7.5G	H8C21S03132G-10G
H3C56S03928G-1G						
H4C56S03706G-1G						
	H4C14S03559G-1.5G	H4C14S03559G-2G				
	H4C14S03706G-1.5G	H4C14S03706G-2G				
	H6C14S03776G-1.5G	H6C14S03776G-2G				
			H6C18S03780G-3G	H6C18S03780G-5G		
			H8C18S03727G-3G	H8C18S03727G-5G		

NOMENCLATURE PAGE QG-5	DIMENSIONS PAGE QG-14	THERMAL RATINGS PAGE ILH-335	MOTOR INFORMATION PAGE QG-24
---------------------------	--------------------------	---------------------------------	---------------------------------

## ILH Foot Mounted, Clamp Collar C-Face Gearmotors Premium Efficient Motor

RPM Range	Size	Ratio	Output RPM	Mechanical Input HP (Max.)				1/2	3/4
				56C	140TC	180TC	210TC	56C	56C
38 - 42 RPM	HB 383	42.53	41	1.27				H3C56S04253G-.5G	H3C56S04253G-.75G
	HB 482	41.26	42	1.12				H4C56S04126G-.5G	H4C56S04126G-.75G
	HB 483	45.91	38	2.02				H4C56S04591G-.5G	H4C56S04591G-.75G
	HB 482	41.26	42		2.68				
	HB 483	41.38	42		2.67				
	HB 483	45.91	38		2.41				
	HB 682	42.06	42		3.29				
	HB 682	42.06	42			4.67			
	HB 683	45.41	39			4.33			
HB 883	41.19	43			10.02				
30 - 36 RPM	HB 383	58.30	30	.93				H3C56S05830G-.5G	H3C56S05830G-.75G
	HB 483	55.92	31	1.98				H4C56S05592G-.5G	H4C56S05592G-.75G
	HB 483	55.92	31		1.98				
	HB 682	48.09	36		3.04				
	HB 683	53.47	33		3.68				
	HB 883	57.93	30			7.13			
23-29 RPM	HB 483	61.14	29	1.81				H4C56S06114G-.5G	H4C56S06114G-.75G
	HB 483	73.99	24	1.49				H4C56S07399G-.5G	H4C56S07399G-.75G
	HB 683	59.91	29		3.28				
	HB 683	73.30	24		2.68				
	HB 883	74.88	23		5.00				
13 - 17 RPM	HB 483	102.52	17	1.08				H4C56S10252G-.5G	H4C56S10252G-.75G
	HB 483	132.34	13	.84				H4C56S13234G-.5G	H4C56S13234G-.75G
	HB 683	126.41	14	1.56				H6C56S12641G-.5G	H6C56S12641G-.75G
	HB 883	129.79	14				3.18		

\* Footed, standard inch shaft diameter, A1 mounting position, clamp collar input, 1750 rpm input speed  
For motor information, please reference page QG-24.

NOMENCLATURE PAGE QG-5	DIMENSIONS PAGE QG-14	THERMAL RATINGS PAGE ILH-335	MOTOR INFORMATION PAGE QG-24
---------------------------	--------------------------	---------------------------------	---------------------------------

# SELECTION



## ILH Foot Mounted, Clamp Collar C-Face Gearmotors Premium Efficient Motor

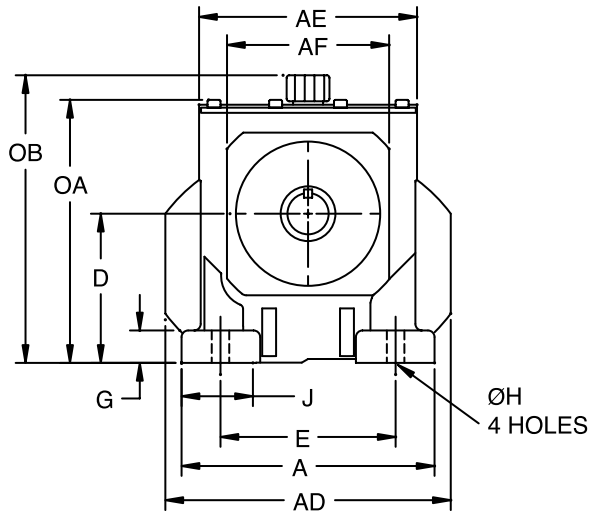
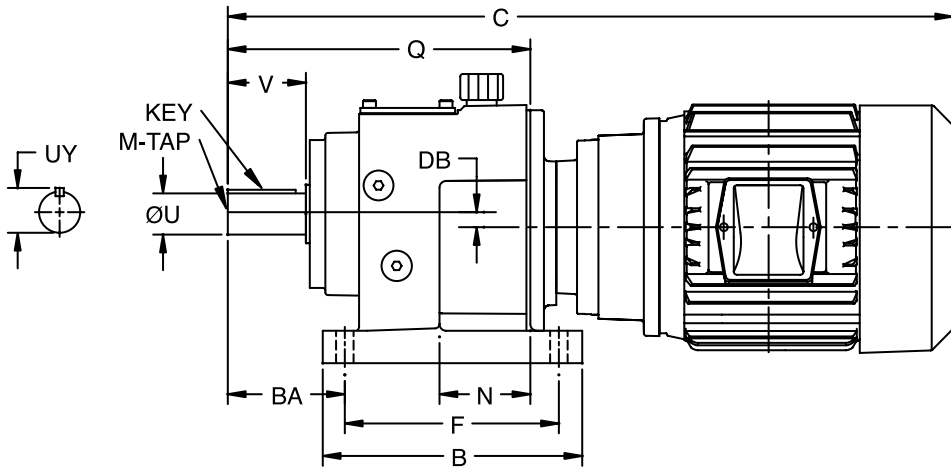
1 56C	1-1/2 140TC	2 140TC	3 180TC	5 180TC	7-1/2 210TC	10 210TC
H3C56S04253G-1G						
H4C56S04126G-1G						
H4C56S04591G-1G						
	H4C14S04126G-1.5G	H4C14S04126G-2G				
	H4C14S04138G-1.5G	H4C14S04138G-2G				
	H4C14S04591G-1.5G	H4C14S04591G-2G				
	H6C14S04206G-1.5G	H6C14S04206G-2G				
			H6C18S04206G-3G			
			H6C18S04541G-3G			
			H8C18S04119G-3G	H8C18S04119G-5G		
H4C56S05592G-1G						
	H4C14S05592G-1.5G					
	H6C14S04809G-1.5G	H6C14S04809G-2G				
	H6C14S05347G-1.5G	H6C14S05347G-2G				
			H8C18S05793G-3G	H8C18S05793G-5G		
H4C56S06114G-1G						
H4C56S07399G-1G						
	H6C14S05991G-1.5G	H6C14S05991G-2G				
	H6C14S07330G-1.5G	H6C14S07330G-2G				
	H8C14S07488G-1.5G	H8C14S07488G-2G				
H4C56S10252G-1G						
H6C56S12641G-1G						
			H8C18S12979G-3G			

NOMENCLATURE PAGE QG-5	DIMENSIONS PAGE QG-14	THERMAL RATINGS PAGE ILH-335	MOTOR INFORMATION PAGE QG-24
---------------------------	--------------------------	---------------------------------	---------------------------------

# DIMENSIONS



## ILH Foot Mounted, Clamp Collar C-Face Gearmotors



NOMENCLATURE  
PAGE QG-5

MOUNTING POSITIONS  
PAGE ILH-7

SELECTION-C-FACE GEARMOTOR  
PAGE QG-6

MOTOR INFORMATION  
PAGE QG-24

# DIMENSIONS



## ILH Foot Mounted, Clamp Collar C-Face Gearmotors

Size	Frame Size	A	B	C *	D	E	F	G	ØH	J	N	Q	V	AD	AE	AF	BA
HB38	56C	5.77	6.30	22.72	3.54	4.33	5.12	0.79	0.39	1.33	2.33	7.48	1.97	6.42	5.07	3.77	2.95
	140TC			24.26													
	180TC			27.11													
HB48	56C	7.68	7.87	24.27	4.53	5.32	6.50	0.98	0.53	2.17	2.76	9.17	2.36	8.66	6.61	4.92	3.54
	140TC			25.82													
	180TC			29.84													
HB68	56C	9.25	9.65	26.30	5.51	6.69	8.07	1.18	0.69	2.36	3.27	11.38	3.15	10.35	8.14	6.32	4.53
	140TC			27.85													
	180TC			32.54													
	210TC			34.32													
HB88	140TC	11.42	12.21	30.54	7.09	8.47	10.24	1.77	0.69	2.95	4.26	14.41	3.94	13.07	10.24	7.87	5.52
	180TC			35.18													
	210TC			36.62													

Size	DB	OA	OB	ØU	UY	KEY	M-TAP
HB38	0	6.21	N/A	1.000	1.11	1/4 x 1/4 x 1-5/8	3/8-16 UNC x 0.87
HB48	0	7.98	8.73	1.250	1.36	1/4 x 1/4 x 2	3/8-16 UNC x 0.87
HB68	0	9.65	10.58	1.625	1.79	3/8 x 3/8 x 2-5/8	5/8-11 UNC x 1.42
HB88	0	12.21	13.17	2.125	2.35	1/2 x 1/2 x 3-1/4	3/4-10 UNC x 1.65

\* Actual C dimension depends on exact motor used.

NOMENCLATURE PAGE QG-5	MOUNTING POSITIONS PAGE ILH-7	SELECTION-C-FACE GEARMOTOR PAGE QG-6	MOTOR INFORMATION PAGE QG-24
---------------------------	----------------------------------	---	---------------------------------

## RHB Foot Mounted, Clamp Collar C-Face Gearmotors Solid Output Shaft Premium Efficient Motor

RPM Range	Size	Ratio	Output RPM	Mechanical Input HP (Max)				1/2	3/4
				56C	140TC	180TC	210TC	56C	56C
242 - 316 RPM	BB38	5.65	310	2.02				<b>B3C56S00565G-.5G</b>	<b>B3C56S00565G-.75G</b>
	BB38	5.65	310		5.00				
	BB38	5.65	310			5.60			
	BB48	7.22	242			9.90			
	BB68	6.44	272			10.36			
	BB88	5.54	316				26.94		
97 - 125 RPM	BB38	15.91	110	2.02				<b>B3C56S01591G-.5G</b>	<b>B3C56S01591G-.75G</b>
	BB38	17.99	97		3.41				
	BB48	15.42	114			7.17			
	BB88	14.04	125				24.94		
44 - 63 RPM	BB38	31.59	55	1.94				<b>B3C56S03159G-.5G</b>	<b>B3C56S03159G-.75G</b>
	BB48	28.90	61		3.83				
	BB68	39.39	44		5.01				
	BB68	27.99	63			7.20			
	BB88	28.50	61				14.24		
	BB88	28.50	61						
29 - 34 RPM	BB48	54.49	32	2.02				<b>B4C56S05449G-.5G</b>	<b>B4C56S05449G-.75G</b>
	BB48	60.08	29		1.84				
	BB68	58.23	30		3.46				
	BB88	58.37	30			6.95			
20 - 23 RPM	BB48	83.25	21	1.33				<b>B4C56S08325G-.5G</b>	<b>B4C56S08325G-.75G</b>
	BB68	83.40	21		2.42				
	BB88	84.21	21		4.82				
	BB88	75.45	23			5.38			
	BB88	84.21	21			4.82			
	BB88	84.21	21			4.82			
12 - 18 RPM	BB68	99.55	18	1.97				<b>B6C56S09955G-.5G</b>	<b>B6C56S09955G-.75G</b>
	BB68	150.98	12	1.34				<b>B6C56S15098G-.5G</b>	<b>B6C56S15098G-.75G</b>
	BB88	103.38	17		3.92				
	BB88	120.42	15		3.37				
	BB88	144.58	12		2.81				
6 - 9 RPM	BB68	243.72	7	0.83				<b>B6C56S24372G-.5G</b>	<b>B6C56S24372G-.75G</b>
	BB88	193.24	9	1.58				<b>B8C56S19324G-.5G</b>	<b>B8C56S19324G-.75G</b>
	BB88	302.68	6	1.07				<b>B8C56S30268G-.5G</b>	<b>B8C56S30268G-.75G</b>

\* Standard inch shaft diameter, output shaft position A, A1 mounting position, 1750 rpm input speed  
For motor information, please reference page QG-24.

NOMENCLATURE PAGE QG-5	DIMENSIONS PAGE QG-18	THERMAL RATINGS PAGE RHB-364	MOTOR INFORMATION PAGE QG-24
---------------------------	--------------------------	---------------------------------	---------------------------------



## RHB Foot Mounted, Clamp Collar C-Face Gearmotors Solid Output Shaft Premium Efficient Motor

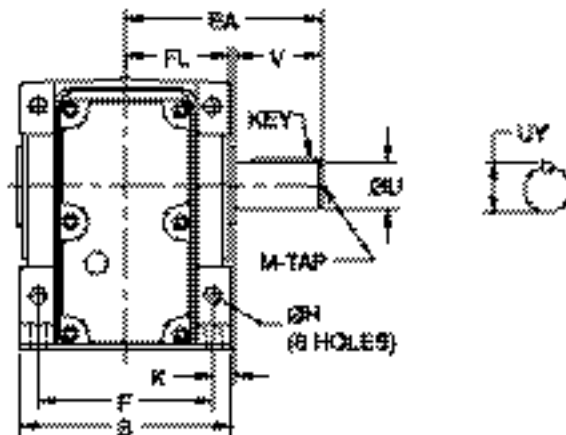
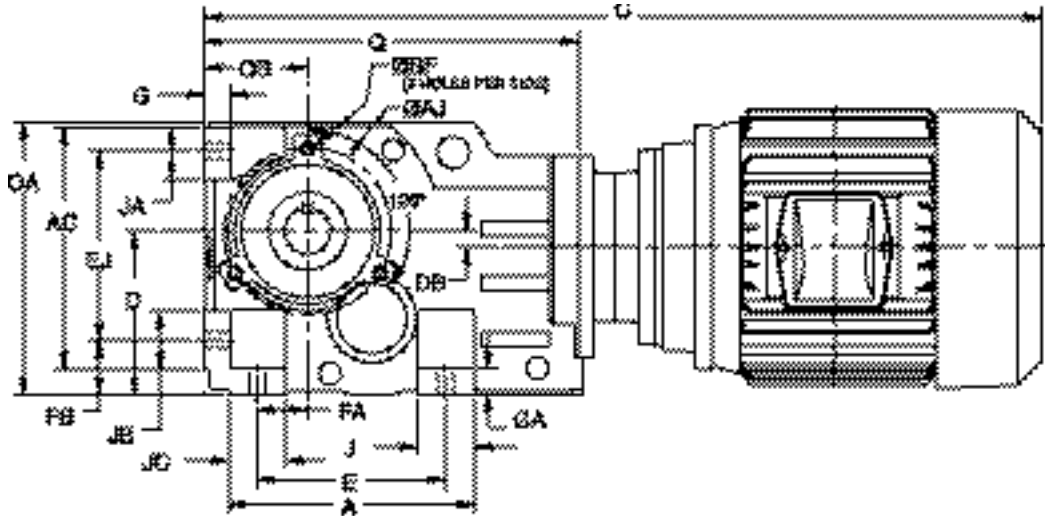
1	1-1/2	2	3	5	7-1/2	10
56C	140TC	140TC	180TC	180TC	210TC	210TC
B3C56S00565G-1G	B3C14S00565G-1.5G	B3C14S00565G-2G	B3C18S00565G-3G	B3C18S00565G-5G		
			B4C18S00722G-3G	B4C18S00722G-5G		
			B6C18S00644G-3G	B6C18S00644G-5G		
					B8C21S00554G-7.5G	B8C21S00554G-10G
B3C56S01591G-1G	B3C14S01799G-1.5G	B3C14S01799G-2G	B4C18S01542G-3G	B4C18S01542G-5G		
					B8C21S01404G-7.5G	B8C21S01404G-10G
B3C56S03159G-1G	B4C14S02890G-1.5G	B4C14S02890G-2G				
	B6C14S03939G-1.5G	B6C14S03939G-2G				
			B6C18S02799G-3G	B6C18S02799G-5G		
					B8C21S02850G-7.5G	B8C21S02850G-10G
B4C56S05449G-1G	B4C14S06008G-1.5G					
	B6C14S05823G-1.5G	B6C14S05823G-2G				
			B8C18S05837G-3G	B8C18S05837G-5G		
B4C56S08325G-1G	B6C14S08340G-1.5G	B6C14S08340G-2G				
	B8C14S08421G-1.5G	B8C14S08421G-2G				
			B8C18S07545G-3G	B8C18S07545G-5G		
			B8C18S08421G-3G			
B6C56S09955G-1G						
B6C56S15098G-1G	B8C14S10338G-1.5G	B8C14S10338G-2G				
	B8C14S12042G-1.5G	B8C14S12042G-2G				
	B8C14S14458G-1.5G	B8C14S14458G-2G				
B8C56S19324G-1G						
B8C56S30268G-1G						

NOMENCLATURE PAGE QG-5	DIMENSIONS PAGE QG-18	THERMAL RATINGS PAGE RHB-364	MOTOR INFORMATION PAGE QG-24
---------------------------	--------------------------	---------------------------------	---------------------------------

# DIMENSIONS



## RHB Foot Mounted, Clamp Collar C-Face Gearmotors - Solid Output Shaft



NOMENCLATURE  
PAGE QG-5

MOUNTING POSITIONS  
PGE RHB-11

SELECTION-C-FACE GEARMOTORS  
PAGE QG-16

MOTOR INFORMATION  
PAGE QG-24

# DIMENSIONS



## RHB Foot Mounted, Clamp Collar C-Face Gearmotors - Solid Output Shaft

Size	Frame Size	A	B	C *	D	E	F	G	ØH	J	K	Q	V	AC	ØAJ	ØBF	DB
BB38	56C	5.55	4.72	23.58	3.94	4.33	3.94	0.63	0.43	1.26	0.39	8.94	1.97	5.79	3.94	M8 x .55 DEEP	0.37
	140TC			25.13													
	180TC			28.57													
BB48	56C	6.65	5.71	24.76	4.41	5.12	4.72	0.71	0.43	1.58	0.59	10.12	2.36	6.54	4.53	M10 x .66 DEEP	0.43
	140TC			26.31													
	180TC			29.75													
BB68	56C	6.69	6.69	26.64	5.51	4.72	5.51	0.87	0.53	1.97	0.79	12.21	3.15	8.19	5.12	M12 x .82 DEEP	0.26
	140TC			28.19													
	180TC			32.88													
BB88	56C	8.07	7.87	28.91	7.09	5.91	6.50	0.98	0.71	2.17	0.89	14.72	3.94	10.31	6.50	M12 x .82 DEEP	0.79
	140TC			30.46													
	180TC			35.08													
	210TC			37.66													

Size	EA	EJ	FA	FB	FL	GA	JA	JB	JC	OA	QB	ØU	UY	KEY	M-TAP
BB38	4.33	4.53	1.10	1.26	2.28	0.63	1.22	1.30	1.38	6.58	2.48	1.000	1.11	1/4 x 1/4 x 1-5/8	3/8-16 UNC x 0.87
BB48	5.31	5.12	1.38	1.46	2.80	0.71	1.42	1.58	1.54	7.36	2.80	1.250	1.37	1/4 x 1/4 x 1-7/8	3/8-16 UNC x 0.87
BB68	6.69	6.30	1.18	1.77	3.39	0.87	1.89	1.97	1.97	9.09	3.54	1.625	1.80	3/8 x 3/8 x 2-5/8	5/8-11 UNC x 1.42
BB88	8.07	7.87	1.58	2.17	3.94	0.98	2.56	2.17	2.17	11.61	4.41	2.000	2.22	1/2 x 1/2 x 3-1/4	5/8-11 UNC x 1.42

\* Actual C dimension depends on exact motor used.

NOMENCLATURE PAGE QG-5	MOUNTING POSITIONS PGE RHB-11	SELECTION-C-FACE GEARMOTORS PAGE QG-16	MOTOR INFORMATION PAGE QG-24
---------------------------	----------------------------------	---	---------------------------------

# SELECTION



## RHB Flange Mounted, Clamp Collar C-Face Gearmotors Twin Tapered Bushed\*\* Premium Efficient Motor

RPM Range	Size	Ratio	Output RPM	Mechanical Input HP (Max)				1/2	3/4
				56C	140TC	180TC	210TC	56C	56C
242 - 316 RPM	BF38	5.65	310	2.02				BF3C56T00565G-.5G	BF3C56T00565G-.75G
	BF38	5.65	310		5.00				
	BF38	5.65	310			5.60			
	BF48	7.22	242			9.90			
	BF68	6.44	272			10.36			
	BF88	5.54	316				26.94		
97 - 125 RPM	BF38	15.91	110	2.02				BF3C56T01591G-.5G	BF3C56T01591G-.75G
	BF38	17.99	97		3.41				
	BF48	15.42	114			7.17			
	BF88	14.04	125				24.94		
44 - 63 RPM	BF38	31.59	55	1.94				BF3C56T03159G-.5G	BF3C56T03159G-.75G
	BF48	28.90	61		3.83				
	BF68	39.39	44		5.01				
	BF68	27.99	63			7.20			
	BF88	28.50	61				14.24		
29 - 34 RPM	BF48	54.49	32	2.02				BF4C56T05449G-.5G	BF4C56T05449G-.75G
	BF48	60.08	29		1.84				
	BF68	58.23	30		3.46				
	BF88	58.37	30			6.95			
20 - 23 RPM	BF48	83.25	21	1.33				BF4C56T08325G-.5G	BF4C56T08325G-.75G
	BF68	83.40	21		2.42				
	BF88	84.21	21		4.82				
	BF88	75.45	23			5.38			
	BF88	84.21	21			4.82			
12 - 18 RPM	BF68	99.55	18	1.97				BF6C56T09955G-.5G	BF6C56T09955G-.75G
	BF68	150.98	12	1.34				BF6C56T15098G-.5G	BF6C56T15098G-.75G
	BF88	103.38	17		3.92				
	BF88	120.42	15		3.37				
	BF88	144.58	12		2.81				
6 - 9 RPM	BF68	243.72	7	0.83				BF6C56T24372G-.5G	BF6C56T24372G-.75G
	BF88	193.24	9	1.58				BF8C56T19324G-.5G	BF8C56T19324G-.75G
	BF88	302.68	6	1.07				BF8C56T30268G-.5G	BF8C56T30268G-.75G

\* Twin Tapered hollow output bore, A1 mounting position, 1750 rpm input speed

\*\* Twin Tapered Bushings need to be ordered separately.

For motor information, please reference page QG-24.

For bushing information, please reference pages RHB-350 - RHB-357.

NOMENCLATURE PAGE QG-5	DIMENSIONS PAGE QG-22	THERMAL RATINGS PAGE RHB-364	MOTOR INFORMATION PAGE QG-24
---------------------------	--------------------------	---------------------------------	---------------------------------

# SELECTION



## RHB Flange Mounted, Clamp Collar C-Face Gearmotors Twin Tapered Bushed\*\* Premium Efficient Motor

1	1-1/2	2	3	5	7-1/2	10
56C	140TC	140TC	180TC	180TC	210TC	210TC
BF3C56T00565G-1G	BF3C14T00565G-1.5G	BF3C14T00565G-2G				
			BF3C18T00565G-3G	BF3C18T00565G-5G		
			BF4C18T00722G-3G	BF4C18T00722G-5G		
			BF6C18T00644G-3G	BF6C18T00644G-5G		
					BF8C21T00554G-7.5G	BF8C21T00554G-10G
BF3C56T01591G-1G	BF3C14T01799G-1.5G	BF3C14T01799G-2G				
			BF4C18T01542G-3G	BF4C18T01542G-5G		
					BF8C21T01404G-7.5G	BF8C21T01404G-10G
BF3C56T03159G-1G	BF4C14T02890G-1.5G	BF4C14T02890G-2G				
	BF6C14T03939G-1.5G	BF6C14T03939G-2G				
			BF6C18T02799G-3G	BF6C18T02799G-5G		
					BF8C21T02850G-7.5G	BF8C21T02850G-10G
BF4C56T05449G-1G	BF4C14T06008G-1.5G					
	BF6C14T05823G-1.5G	BF6C14T05823G-2G				
			BF8C18T05837G-3G	BF8C18T05837G-5G		
BF4C56T08325G-1G	BF6C14T08340G-1.5G	BF6C14T08340G-2G				
	BF8C14T08421G-1.5G	BF8C14T08421G-2G				
			BF8C18T07545G-3G	BF8C18T07545G-5G		
			BF8C18T08421G-3G			
BF6C56T09955G-1G						
BF6C56T15098G-1G	BF8C14T10338G-1.5G	BF8C14T10338G-2G				
	BF8C14T12042G-1.5G	BF8C14T12042G-2G				
	BF8C14T14458G-1.5G	BF8C14T14458G-2G				
BF8C56T19324G-1G						
BF8C56T30268G-1G						

QUANTIS

QUANTIS GOLD

ILH

RHB

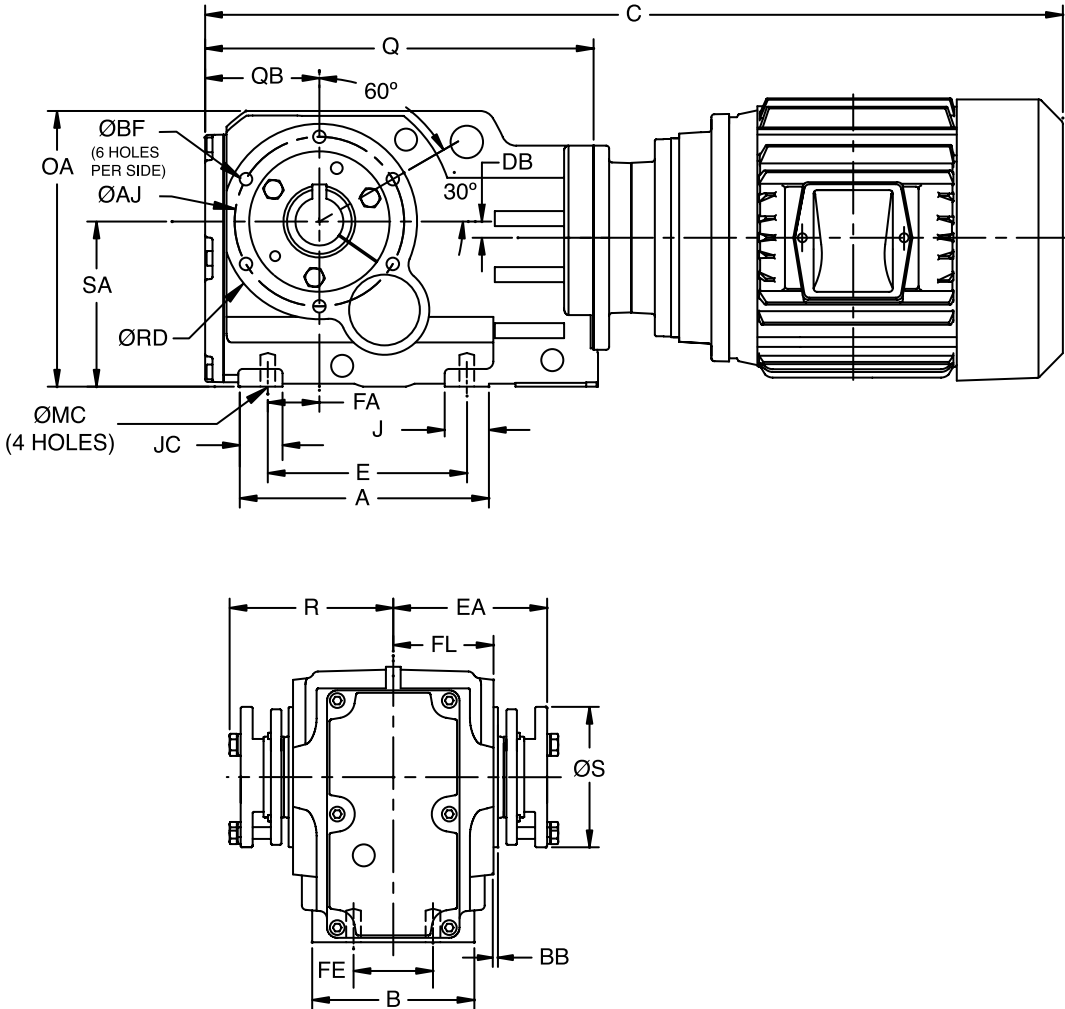
M5M

NOMENCLATURE PAGE QG-5	DIMENSIONS PAGE QG-22	THERMAL RATINGS PAGE RHB-364	MOTOR INFORMATION PAGE QG-24
---------------------------	--------------------------	---------------------------------	---------------------------------

# DIMENSIONS



## RHB Flange Mounted, Clamp Collar C-Face Gearmotors Twin Tapered Bushed



NOMENCLATURE  
PAGE QG-5

MOUNTING POSITIONS  
PAGE RHB-11

SELECTION-C-FACE GEARMOTORS  
PAGE QG-20

MOTOR INFORMATION  
PAGE QG-24

# DIMENSIONS



## RHB Flange Mounted, Clamp Collar C-Face Gearmotors Twin Tapered Bushed

Size	Frame Size	A	B	C *	E	J	Q	R	ØS	ØAJ	BB	ØBF	DB	EA	FA	FE	FL
BF38	56C	5.89	3.94	23.85	4.61	1.29	9.21	3.78	2.91	3.94	0.12	M8 x .55 DEEP	0.37	3.49	1.38	2.36	2.13
	140TC			25.40													
	180TC			28.84													
BF48	56C	6.89	4.33	25.01	5.51	1.18	10.37	4.39	3.75	4.53	0.12	M10 x .66 DEEP	0.43	4.10	1.58	2.76	2.68
	140TC			26.56													
	180TC			30.00													
BF68	56C	7.95	5.51	26.58	5.98	1.97	12.15	5.16	3.96	5.12	0.14	M12 x .82 DEEP	0.26	4.87	1.65	3.46	3.25
	140TC			28.13													
	180TC			32.82													
BF88	56C	8.86	6.69	28.83	6.69	2.17	14.64	5.79	4.88	6.50	0.14	M12 x .82 DEEP	0.79	5.44	1.89	4.53	3.80
	140TC			30.88													
	180TC			35.00													
	210TC			37.58													

Size	JC	ØMC	ØA	ØB	ØRD	SA
BF38	1.26	M10 x .67 DEEP	6.58	2.76	3.15	3.94
BF48	1.18	M10 x .67 DEEP	7.36	3.05	3.74	4.41
BF68	1.97	M12 x .83 DEEP	9.09	3.48	4.33	5.51
BF88	2.17	M16 x 1.02 DEEP	11.61	4.33	5.12	7.09

\* Actual C dimension depends on exact motor used.

NOMENCLATURE PAGE QG-5	MOUNTING POSITIONS PAGE RHB-11	SELECTION-C-FACE GEARMOTORS PAGE QG-20	MOTOR INFORMATION PAGE QG-24
---------------------------	-----------------------------------	---	---------------------------------

# MOTOR INFORMATION



QUANTIS

QUANTIS GOLD

ILH

RHB

MSM

## QUANTIS ILH and RHB C-Face Gearmotors

### Baldor PREMIUM Efficient Super-E Motor Information

HP	Synchronous RPM	Voltage	Frame	Enclosure	Construction	Part Number
1/2	1800	208-230/460	56C	TEFC	Rolled Steel	VEM3538
3/4	1800	208-230/460	56C	TEFC	Rolled Steel	VEM3542
1	1800	208-230/460	56C	TEFC	Rolled Steel	VEM3546
1-1/2	1800	208-230/460	145TC	TEFC	Rolled Steel	VEM3554T
2	1800	208-230/460	145TC	TEFC	Rolled Steel	VEM3558T
3	1800	208-230/460	182TC	TEFC	Rolled Steel	VEM3611T
5	1800	230/460	184TC	TEFC	Rolled Steel	VEM3615T
7-1/2	1800	230/460	213TC	TEFC	Cast Iron	VEM3770T
10	1800	230/460	215TC	TEFC	Cast Iron	VEM3774T

FEATURES/BENEFITS  
PAGE QG-3

NOMENCLATURE  
PAGE QG-5

SELECTION-C-FACE GEARMOTORS  
PAGE QG-6

DIMENSIONS  
PAGE QG-14