

BALDOR®

A MEMBER OF THE ABB GROUP



Polishing Lathes and Accessories



Polishing Lathes & Chucks



340



353T



380WCT



LPL50

Baldor polishing lathes have features preferred by Dentists, dental lab technicians, jewelers, lapidary and others for precision, trouble-free polishing. All lathes are supplied with 8-foot cord with plug, rubber feet and heavy construction to minimize vibration, provisions for mounting to a laboratory bench are provided as well.

Hp	RPM	Shaft Diameter/Taper	Catalog Number	Shpg. Wgt.	Voltage	Style	Agency Approval	Notes
1/4	3600/1800	0.375 / 0.250	340	32	115	Dual Speed	UR, CSA	q
1/4	3000/1500	0.375 / 0.250	342	31	220-240	Dual Speed	UR, CSA	r
1/4	3600/1800	0.375 / 0.250	353T	35	115	Dual Speed	VR, CSA	q
1/2	3600	0.375 / 0.250	359T	36	115	Single speed	VR, CSA	q
1/3	3600/1800	0.375 / 0.250	380T	42	115	Dual Speed	VR, CSA	q
1/3	3600/1800	0.375 / 0.250	380WCT	47	115	Dual Speed	VR, CSA	q, s
1/2	3600	0.625 / straight	LPL50	43	115	Single speed	UR	q, t
3/4	3600	0.625 / straight	LPL75	48	115/230	Single speed	UR	q, t

Notes: (q) Factory connected for 115 volts, power cord supplied.

(r) Factory connected for 220-240 volts, power cord without plug.

(s) Right side equipped with Wells Dental "Super Quick" chuck, 2 mandrels, 2 stone, 1 arbor band, 1 soft wheel chuck.

(t) Single shaft, right side.

Full Three Year Warranty

Baldor polishing lathes are warranted against burnouts, defective materials, and workmanship for three full years.

Warranty covers all parts except those subject to normal wear. "Wells Quick Chuck" warranted one year by manufacturer.

Baldor True-Running Chucks

Made to close-tolerance specifications, keeps vibration to an absolute minimum. All chuck guaranteed to match Baldor lathes and other make with standard tapered shaft. Mounting hole 0.370" tapered 0.250 per foot.



R1 R2 L3 L4 R5A R6 L7

Catalog Number	Description	Shpg. Wgt.	
		Lbs.	Kg
R1	Hard Wheel, Right Hand, Brass	0.2	0.09
R2	Soft Wheel, Right Hand, Brass	0.2	0.09
L3	Hard Wheel, Left Hand, Brass	0.1	0.05
L4	Soft Wheel, Left Hand, Brass	0.2	0.09
R5A	Burr Chuck, Right Hand,	0.4	0.18
R6	Arbor Band, Right Hand, Brass	0.2	0.09
L7	Burr Chuck, Left Hand, Stainless	0.4	0.18

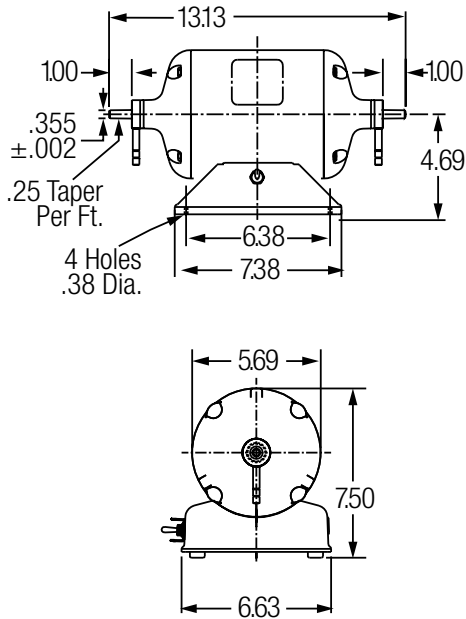
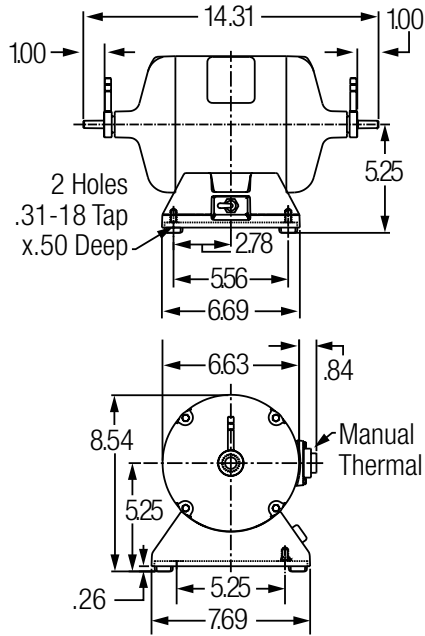
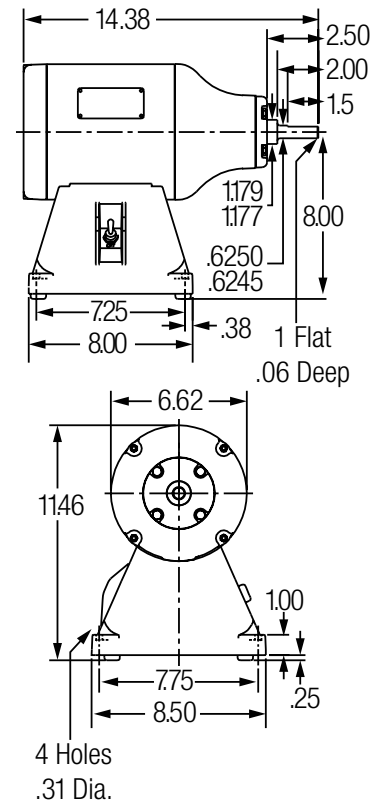
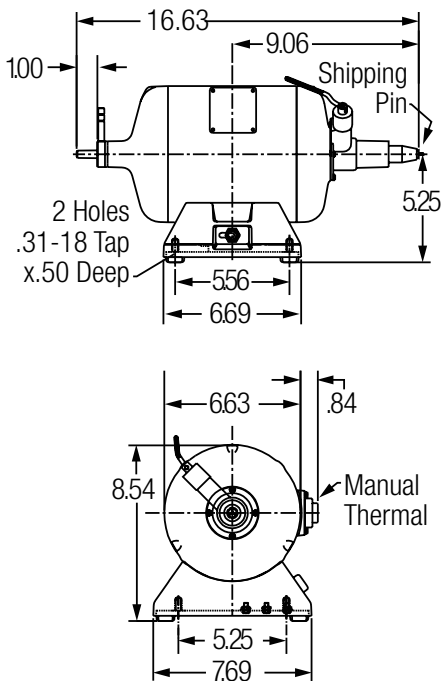
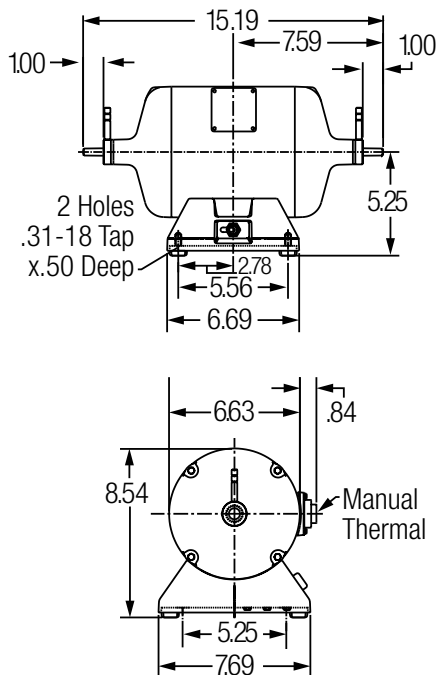
Note: R1 & L3 hard wheel chucks accommodate up to 1/4" wide wheel with 1/4" arbor hole.

R6 arbor band chuck accommodates 1/2" wide x 3/4" diameter arbor band.

Dust Collector Bags

Catalog Number	Description	Shpg. Wgt.	
		Lbs.	Kg
DA1	Dust Collector Bag (1 per carton). For Baldor D60 and D61 Dust Collectors	2	0.9

Dimensions

340-342**353T-359T****LPL50-LPL75****380WCT****380T**

Contact your nearest Baldor Sales Office at these World Wide Locations, or visit www.baldor.com

UNITED STATES**ARIZONA****PHOENIX**

4211 S 43RD PLACE
PHOENIX, AZ 85040
PHONE: 602-470-0407
FAX: 602-470-0464

ARKANSAS**CLARKSVILLE**

706 WEST MAIN STREET
CLARKSVILLE, AR 72830
PHONE: 479-754-9108
FAX: 479-754-9205

CALIFORNIA**LOS ANGELES**

6480 FLOTILLA STREET
COMMERCE, CA 90040
PHONE: 323-724-6771
FAX: 323-721-5859

HAYWARD

21056 FORBES STREET
HAYWARD, CA 94545
PHONE: 510-785-9900
FAX: 510-785-9910

COLORADO**DENVER**

3855 FOREST STREET
DENVER, CO 80207
PHONE: 303-623-0127
FAX: 303-595-3772

CONNECTICUT**WALLINGFORD**

65 SOUTH TURNPIKE ROAD
WALLINGFORD, CT 06492
PHONE: 203-269-1354
FAX: 203-269-5485

FLORIDA**TAMPA/PUERTO RICO/
VIRGIN ISLANDS**

3906 EAST 11TH AVENUE
TAMPA, FL 33605
PHONE: 813-248-5078
FAX: 813-241-9514

GEORGIA**ATLANTA**

62 TECHNOLOGY DRIVE
ALPHARETTA, GA 30005
PHONE: 770-772-7000
FAX: 770-772-7200

ILLINOIS**CHICAGO**

340 REMINGTON BLVD.
BOLINGBROOK, IL 60440
PHONE: 630-296-1400
FAX: 630-226-9420

INDIANA**INDIANAPOLIS**

5525 W. MINNESOTA STREET
INDIANAPOLIS, IN 46241
PHONE: 317-246-5100
FAX: 317-246-5110

IOWA**DES MOINES**

1943 HULL AVENUE
DES MOINES, IA 50313
PHONE: 515-263-6929
FAX: 515-263-6515

MARYLAND**BALTIMORE**

7071A DORSEY RUN RD
ELKRIDGE, MD 21075
PHONE: 410-579-2135
FAX: 410-579-2677

MASSACHUSETTS**BOSTON**

6 PULLMAN STREET
WORCESTER, MA 01606
PHONE: 508-854-0708
FAX: 508-854-0291

MICHIGAN**DETROIT**

5993 PROGRESS DRIVE
STERLING HEIGHTS, MI 48312
PHONE: 586-978-9800
FAX: 586-978-9969

MINNESOTA**MINNEAPOLIS**

13098 GEORGE WEBER DR, SUITE 400
ROGERS, MN 55374
PHONE: 763-428-3633
FAX: 763-428-4551

MISSOURI**ST LOUIS**

13678 LAKEFRONT DRIVE
EARTH CITY, MO 63045
PHONE: 314-373-3032
FAX: 314-373-3038

KANSAS CITY

1501 BEDFORD AVENUE
NORTH KANSAS CITY, MO 64116
PHONE: 816-587-0272
FAX: 816-587-3735

NEW YORK**AUBURN**

ONE ELLIS DRIVE
AUBURN, NY 13021
PHONE: 315-255-3403
FAX: 315-253-9923

NORTH CAROLINA**GREENSBORO**

1220 ROTHERWOOD ROAD
GREENSBORO, NC 27406
PHONE: 336-272-6104
FAX: 336-273-6628

OHIO**CINCINNATI**

2929 CRESCENTVILLE ROAD
WEST CHESTER, OH 45069
PHONE: 513-771-2600
FAX: 513-772-2219

CLEVELAND

8929 FREEWAY DRIVE
MACEDONIA, OH 44056
PHONE: 330-468-4777
FAX: 330-468-4778

OKLAHOMA**TULSA**

5555 E. 71ST ST., SUITE 9100
TULSA, OK 74136
PHONE: 918-366-9320
FAX: 918-366-9338

OREGON**PORTLAND**

12651 SE CAPPS ROAD
CLACKAMAS, OR 97015
PHONE: 503-691-9010
FAX: 503-691-9012

PENNSYLVANIA**PHILADELPHIA**

1035 THOMAS BUSCH
MEMORIAL HIGHWAY
PENNSAUKEN, NJ 08110
PHONE: 856-661-1442
FAX: 856-663-6363

PITTSBURGH

159 PROMINENCE DRIVE
NEW KENSINGTON, PA 15068
PHONE: 724-889-0092
FAX: 724-889-0094

TENNESSEE**MEMPHIS**

4000 WINCHESTER ROAD
MEMPHIS, TN 38118
PHONE: 901-365-2020
FAX: 901-365-3914

TEXAS**DALLAS**

2920 114TH STREET SUITE 100
GRAND PRAIRIE, TX 75050
PHONE: 214-634-7271
FAX: 214-634-8874

HOUSTON

10355 W. LITTLE YORK ROAD
SUITE 300
HOUSTON, TX 77041
PHONE: 281-977-6500
FAX: 281-977-6510

UTAH**SALT LAKE CITY**

2230 SOUTH MAIN STREET
SALT LAKE CITY, UT 84115
PHONE: 801-832-0127
FAX: 801-832-8911

WISCONSIN**MILWAUKEE**

1960 SOUTH CALHOUN ROAD
NEW BERLIN, WI 53151
PHONE: 262-784-5940
FAX: 262-784-1215

INTERNATIONAL SALES**FORT SMITH, AR**

P.O. BOX 2400
FORT SMITH, AR 72902
PHONE: 479-646-4711
FAX: 479-648-5895

CANADA**EDMONTON, ALBERTA**

4053-92 STREET
EDMONTON, ALBERTA T6E 6R8
PHONE: 780-434-4900
FAX: 780-438-2600

TORONTO**OAKVILLE, ONTARIO**

2910 BRIGHTON ROAD
OAKVILLE, ONTARIO, CANADA L6H 5S3
PHONE: 905-829-3301
FAX: 905-829-3302

MONTREAL, QUEBEC

5155 J-ARMAND BOMBARDIER
SAINT-HUBERT, QUÉBEC
CANADA J3Z 1G4
PHONE: 514-933-2711
FAX: 514-933-8639

VANCOUVER,**BRITISH COLUMBIA**

1538 KEBET WAY
PORT COQUITLAM,
BRITISH COLUMBIA V3C 5M5
PHONE: 604-421-2822
FAX: 604-421-3113

WINNIPEG, MANITOBA

54 PRINCESS STREET
WINNIPEG, MANITOBA R3B 1K2
PHONE: 204-942-5205
FAX: 204-956-4251

MEXICO**LEON, GUANAJUATO**

KM. 2.0 BLVD. AEROPUERTO
LEON, GUANAJUATO, CP37545
MEXICO
PHONE: +52 477 761 2030
FAX: +52 477 761 2010

Baldor Electric Company

P.O. Box 2400

Fort Smith, AR 72902-2400 U.S.A.

Ph (479) 646-4711 • Fax (479) 648-5792

International Fax (479) 648-5895

www.baldor.com