

DODGE

# Eccentric collar mounted Ball bearings



Dodge eccentric collar mounted ball bearings, with a rugged design and precision construction for maximum life and equipment uptime, have been manufactured in Rogersville, TN since 1971. We know that manufacturing locally allows us to consistently produce high quality, reliable products, and respond to customer needs quickly.



### US based manufacturing and distribution

Consistent quality and product availability

- Local inventory available from over 250 distributor partners across the country
- Warehouses in Crossville, TN and Reno, NV
- Quick ship on most non-stock items within 3-5 days or less
- Bearing manufacturing capability, not just assembly of components

### US based customer support

Responsiveness and ease of doing business

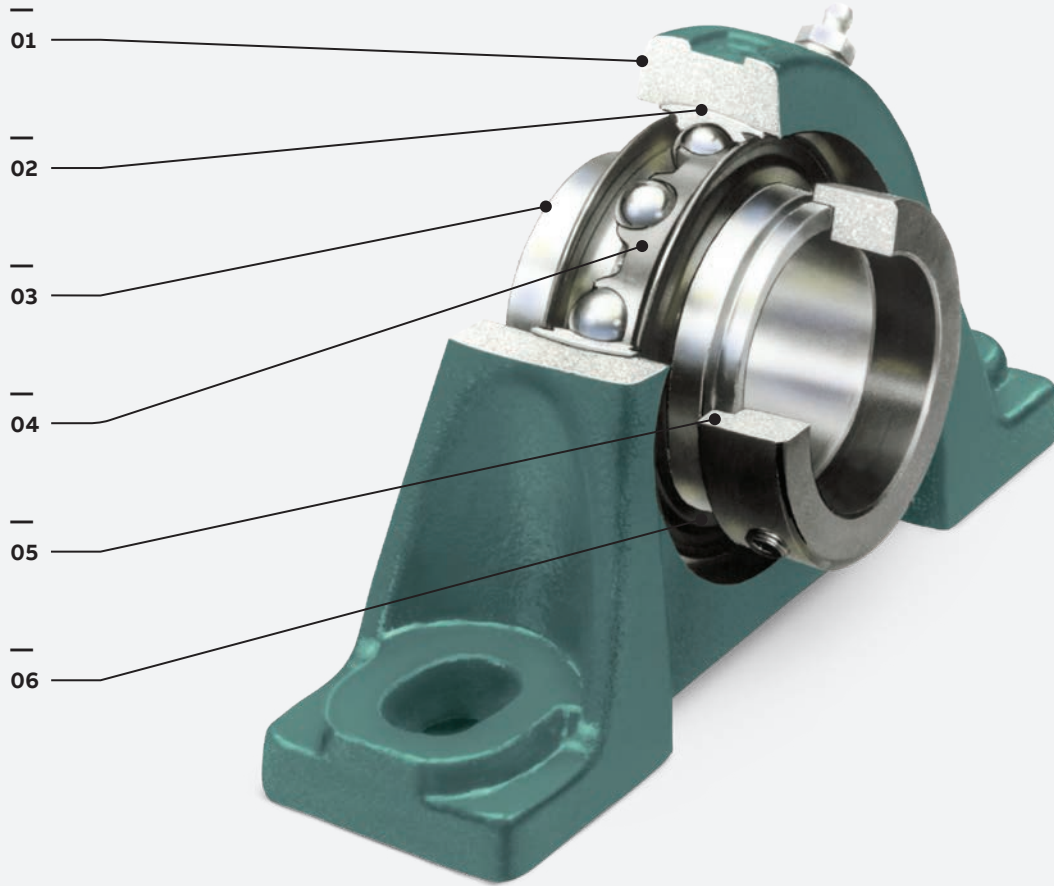
- Dedicated sales engineers in the US
- 24/7 customer service department in Greenville, South Carolina
- Application engineering support in Greenville, South Carolina



Born in the USA.  
Supported in the USA.

## Dodge eccentric ball bearings

- 01 Durable cast iron housing
- 02 Tightly controlled fit between the insert and housing to allow for misalignment
- 03 Case carburized inner ring for durability and high shock load capability
- 04 Innovative cage options
- 05 Eccentric collar locking system for simple and reliable shaft attachment
- 06 Sealing packages designed to protect against contamination



### Complete line of eccentric collar mounted ball bearings Dodge eccentric collar mounted ball bearings

	SXR/SXRB	SXV/SXVB	SLX
Pillow block - P2B	1/2 - 2-15/16 *	1/2 - 2-3/16 *	1/2 - 1-7/16
2-bolt flange - F2B	1/2 - 2	1/2 - 2-3/16	1/2 - 1-7/16
4-bolt flange - F4B	1/2 - 2-15/16	1/2 - 2-3/16	1-1/2 - 2-3/16
3-bolt flange - F3B	N/A	N/A	3/4 - 1-7/16
Tapped base - TB	3/4 - 2-3/16	3/4 - 2-3/16	N/A
Piloted flange - FC	1-1/16 - 2-7/16	1-1/16 - 2-3/16	N/A
Narrow slot take-up - NSTU	3/4 - 2-7/16	3/4 - 2-3/16	N/A
Wide slot take-up - WSTU	3/4 - 2-15/16	3/4 - 2-3/16	N/A
Top angle take-up - GXR	1-15/16 - 2-15/16	N/A	N/A
Cylindrical - Cylindrical	7/8 - 1-7/16	N/A	N/A
Hanger - HNC	1-1/16 - 2	N/A	N/A

\* Includes select SXRU/SXVU sizes



SXR/SXRB and extreme duty versions are end cap ready.

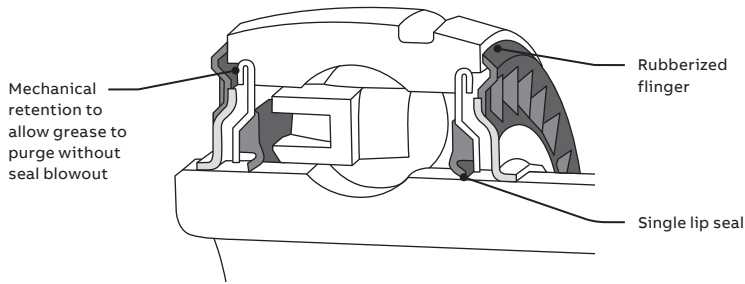
---

## Standard duty sealing package

Proven sealing system in many industrial environments

### DualGuard seal:

Single lip seal with a rubberized flinger to prevent contamination.



### Standard cage:

Fiberglass reinforced nylon construction allows for misalignment and does not absorb moisture.



### Lubrication:

Unirex N2 lithium grease

### Standard warranty:

12 months in service / 18 months from date of manufacture

---

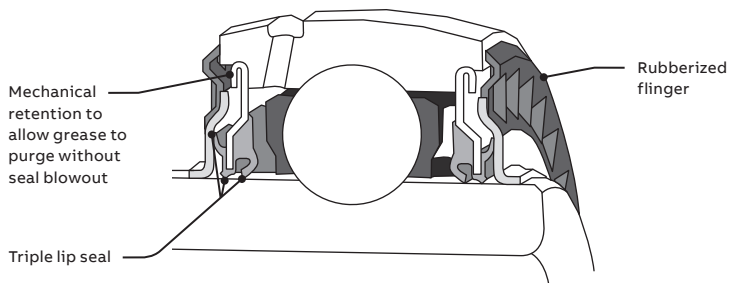
---

## Extreme duty sealing package (Harsh duty applications):

Longer life and increased reliability

### QuadGuard seal:

Triple lip seal with a rubberized flinger for added protection against contaminants in extremely harsh environments.



### Max Life cage:

Patented 2 piece cage design creates compartments to hold grease close to the ball track:

- Holds lubrication closer to the rolling element
- Resists contamination ingress
- Prevents lubrication washout




### Lubrication:


Mobil PM220 synthetic grease leads to 4 times greater life compared to standard grease.

### Extended warranty:

3 year warranty

Interchange chart

Pillow blocks, two bolt	Manufacturer	Standard	Economy	Premium
	<b>Dodge®</b>	<b>P2B-SXRB-xxx</b>	<b>P2B-SXVB-xxx</b>	<b>P2B-SXRBED-xxx</b>
	Timken (Fafnir)	RAK x	VAK x	TAK x
	Peer	HCP2xx-x	FHLP2xx-x	HCP2xx-x TRL
	AMI	UGAK2xx-x	KHLP2xx-x	UGAK2xx-x RF
	Browning	VPLE2xx	VPLE 1xx	N/A
	FYH	NAPK2xx-x	N/A	NAPK2xx-x L3
	Hub City	PB220W x	PB220 x	PB220WM x
	IPTCI	NAPL2xx-x	SAPL2xx-xG	NAPL2xx-x L3
	Link Belt	P3Y2xxN	PL3W2xxU	P3W2xxU E3

Flanges, two bolt	Manufacturer	Standard	Premium
	<b>Dodge</b>	<b>F2B-SXR-xxx</b>	<b>F2B-SXRED-xxx</b>
	Timken (Fafnir)	RCJT	TCJT x
	Peer	HCFTS2xx-x	HCFTS2xx-x TRL
	AMI	UGFJT2xx-x	UGFJT2xx-x RF
	Browning	VF2E2xx	N/A
	FYH	NANFL2xx-x	NANFL2xx-x L3
	Hub City	FB230W x	FB230HWM x
	IPTCI	NANFL2xx-x	NANFL2xx-x L3
	Link Belt	FX3Y2xxN	FX3Y2xxN E3


Flanges, four bolt	Manufacturer	Standard	Premium
	<b>Dodge</b>	<b>F4B-SXR-xxx</b>	<b>F4B-SXRED-xxx</b>
	Timken (Fafnir)	RCJ x	TCJ x
	Peer	HCFS2xx-x	HCFS2xx-x TRL
	AMI	UGSLF2xx-x	UGSLF2xx-x RF
	Browning	VF4E2xx	N/A
	FYH	NANF2xx-x	NANF2xx-x L3
	Hub City	FB220W x	FB220HWM x
	IPTCI	NANF2xx-x w/L3	NANF2xx-x L3
	Link Belt	F3Y2xxN	F3Y2xxN E3

ABB Motors and Mechanical Inc.  
5711 R.S. Boreham, Jr. Street  
Fort Smith, AR 72901  
Ph: 1.479.646.4711

Mechanical Power Transmission Support  
Ph: 1.864.297.4800

[new.abb.com/mechanical-power-transmission](http://new.abb.com/mechanical-power-transmission)

We reserve the right to make technical changes or modify the contents of this document without prior notice. With regard to purchase orders, the agreed particulars shall prevail. ABB does not accept any responsibility whatsoever for potential errors or possible lack of information in this document.

We reserve all rights in this document and in the subject matter and illustrations contained therein. Any reproduction, disclosure to third parties or utilization of its contents – in whole or in parts – is forbidden without prior written consent of ABB.  
Copyright© 2017 ABB  
All rights reserved