

IEC

## Twister motor

### Motors for the textile industry



Designed to produce the highest quality yarn to the flooring market, ABB's IEC 45KW/55KW motor in 225 frame is a ONE stock motor which supports the twisting of fibers in applications where strands of yarn are twisted thousands of times per minute to form one solid strand of yarn into carpet.

#### Proven performance

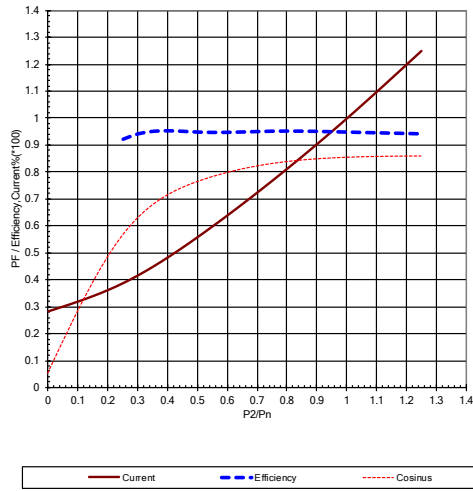
ABB IEC Process performance motors are fully flexible motors for any customer need where motors need to meet high requirements for reliability, efficiency and safety. They are designed for durability in the most demanding environments. This customized Twister motor design is equipped to meet and exceed your application requirements.

#### Key features::

- Rated for 45kW/55kW in B temperature class.
- Oversized NU315 Roller bearing
- Class H insulation
- IE3 Premium efficiency
- IP55 Degree of Protection
- IEC 225SM Frame
- 1800RPM
- IMB3/IM1001 Foot mounted
- 460 Volt With PRE-WIRED S.O. CORD

## Technical information

Load curve



Starting curve

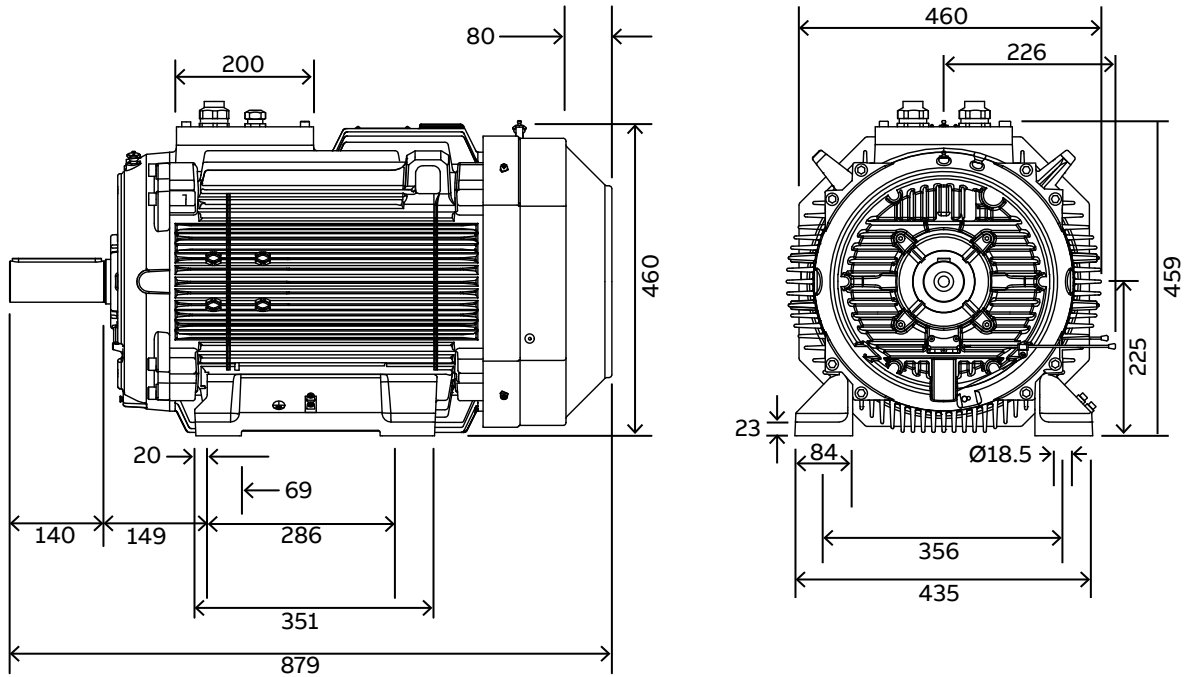
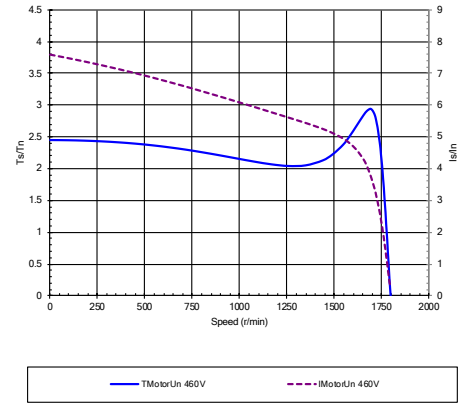


ABB Motors and Mechanical Inc.  
5711 R.S. Boreham, Jr. Street  
Fort Smith, AR 72901  
Ph: 1.479.646.4711

We reserve the right to make technical changes or modify the contents of this document without prior notice. With regard to purchase orders, the agreed particulars shall prevail. ABB does not accept any responsibility whatsoever for potential errors or possible lack of information in this document.

We reserve all rights in this document and in the subject matter and illustrations contained therein. Any reproduction, disclosure to third parties or utilization of its contents – in whole or in parts – is forbidden without prior written consent of ABB.  
Copyright © 2017 ABB  
All rights reserved