

DODGE

Torque-Arm II

Safety belt guard



Designed to protect workers from rotating equipment, the Dodge Torque-Arm II belt guard has been enhanced with features that increase safety and reduce operating costs. Maintenance crews can now easily inspect v-belts mounted in the most common mounting positions, while following MSHA/OSHA regulations.



Inspection and maintenance of equipment is quick and easy.



Step 1:
Loosen inspection cover fasteners. Lift up and pull to remove cover.



Step 2:
Hang inspection cover on lower bolts for hands free tensioning.

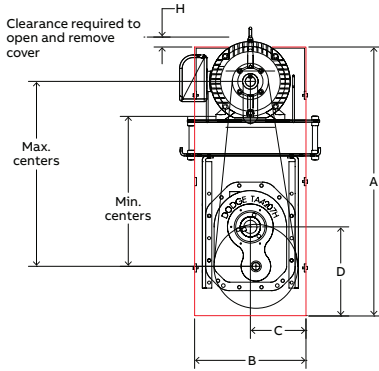


Step 3:
Manually check tension of v-belts, re-tension as needed.

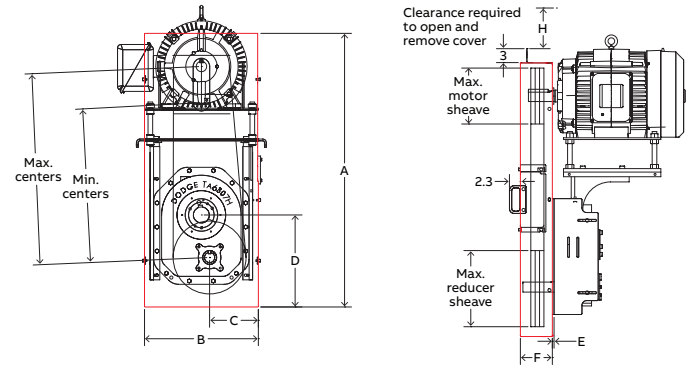


Step 4:
Replace inspection cover and firmly tighten fasteners to protect employees.

TA4207ASSY



TA6307ASSY



Case size	Mounting position	Centers		Max. sheave dia.		A	B	C	D	E		F	H	A+H	Tab height
		Min.	Max.	Motor	Reducer					Min.	Max.				
TA0107L	B	19.6	24.5	11		38.73	14.85	7.43	11.64	0.00	1.79	4.28	2.00		
		24.6	27	8.5	11.4										
TA1107H	B	19.6	25.5	11		38.73	14.85	7.43	11.52	0.03	1.83	4.28	2.00		
		25.6	27	8.5	11.4										
TA2115H	B	19.6	25.5	8.5		38.73	14.85	7.43	13.80	0.00	1.45	4.28	2.00		
		25.6	27	11	13										
TA3203H	B	24.3	30.1	11	17	45.59	19.47	9.72	15.26	0.00	2.72	5.65	2.00		-
TA4207H	B	27.8	34.3	11.2	17	49.85	20.64	10.31	16.51	0.00	2.70	5.65	2.00		-
TA5215H	B	31.9	38.8	12.5	17	55.36	21.70	10.81	18.00	0.00	2.60	6.40	2.00	58.63	3.00
TA6307H	B	33.4	41.2	13	19.9	59.10	24.87	12.40	19.89	0.00	3.55	6.90	2.00	62.1	3.00
TA7315H	B	37	44.9	15	25.5	66.70	29.80	18.90	22.66	0.00	4.53	7.40	2.00	69.69	3.00
TA8407H	B	37	44.9	15	25.5	66.70	29.80	18.90	22.66	0.00	4.24	7.40	2.00	69.69	3.00
TA9415H	B	41.2	48.9	15.5	28	72.43	31.56	19.47	26.22	0.40	5.00	8.90	2.00	75.43	3.00
TA10507H	B	59.1	60.6	17		89.50	32.50	16.25	36.07	0.30	3.86	9.15	2.00	92.5	3.00
		53.8	59	24	30										
TA12608H	B	59.1	60.6	17		89.50	32.50	16.25	37.84	0.30	3.86	9.15	2.00	92.5	3.00
		53.8	59	24	30										

Note: Compatible for TALI reducers in mounting position B; motor mount height M2; and sheave ratio 3:1

Description	Part number	Weights
TA0107, 1107, 2115 belt grd assy pos. B M2	900101	37
TA3203 belt guard assembly pos. B M2	903101	55
TA4207 belt guard assembly pos. B M2	904101	64
TA5215 belt guard assembly pos. B M2	905101	90
TA6307 belt guard assembly pos. B M2	906101	119
TA7315, 8407 belt guard assy pos. B M2	907101	161
TA9415 belt guard assembly pos. B M2	909101	199
TA10507 belt guard assembly pos. B M2	910101	218
TA12608 belt guard assembly pos. B M2	912101	227

ABB Motors and Mechanical Inc.
5711 R.S. Boreham, Jr. Street
Fort Smith, AR 72901
Ph: 1.479.646.4711

Mechanical Power Transmission Support
Ph: 1.864.297.4800

new.abb.com/mechanical-power-transmission

We reserve the right to make technical changes or modify the contents of this document without prior notice. With regard to purchase orders, the agreed particulars shall prevail. ABB does not accept any responsibility whatsoever for potential errors or possible lack of information in this document.

We reserve all rights in this document and in the subject matter and illustrations contained therein. Any reproduction, disclosure to third parties or utilization of its contents – in whole or in parts – is forbidden without prior written consent of ABB. Copyright © 2017 ABB All rights reserved