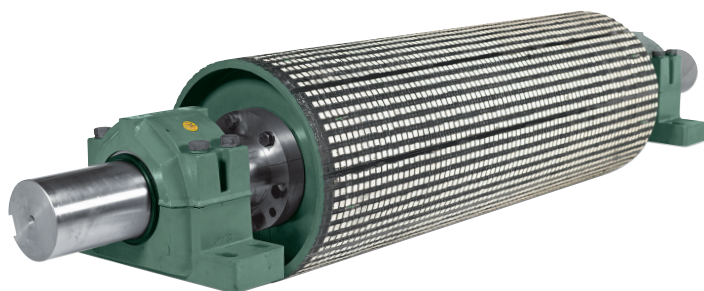


Engineered Conveyor Pulleys

Power Transmission components



High performance and intelligent design deliver reliability throughout the world.

From underground mines to high in the mountains, Dodge customers expect outstanding performance from their conveyor pulleys. Dodge exceeds expectations by utilizing FEA models and state-of-the-art technologies to design conveyor pulley assemblies of the highest quality.

Product Features

- Integral hub, profiled, turbine and T-section end disc designs
- Vulcanized lagging
 - Standard SBR, fire and oil resistant Neoprene, or abrasion resistant D-LAG
- High-traction ceramic (available cold bonded or vulcanized)
- HE, XT or Bikon shaft locking devices
- Standard 1045 or high strength 4140 shaft material
- Static and dynamic balancing
- Available stainless steel construction for non-magnetic applications
- Serialized nameplates
- 2 year extended warranty

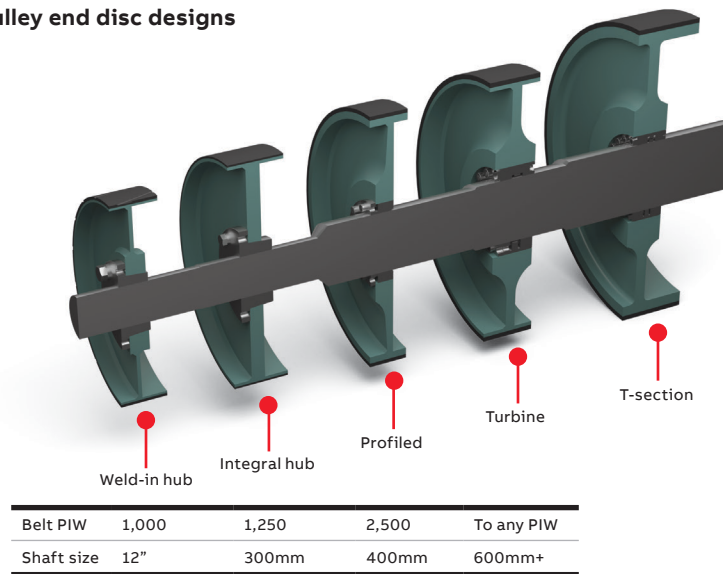
Manufacturing Capabilities

- High-strength submerged arc welds
- Thermal stress relieving
- CNC machining of shaft and pulley
- Expert assembly of pulley, shaft, bearings, coupling and backstop

Quality Certifications

- ISO 9001:2008
- AWS and ASME certified welding procedures and welders
 - Submerged arc welding
 - Gas metal arc welding
 - Gas tungsten arc welding
- ASNT NDE certified inspection program
 - Ultrasonic, magnetic particle, dye penetrant testing and visual inspection
- Material certifications on all materials

Conveyor pulley end disc designs



Conveyor Components Engineering

Dodge Engineered Conveyor Pulleys are designed to meet the loading, dimensional and specification data provided. Dodge also has the expertise to design an entire conveyor drive system consisting of gear reducers, drive components, conveyor pulleys and bearings. Contact your local Dodge Field Sales Engineer or the Conveyor Components group at 864-297-8287 for assistance.

Information required for an engineered pulley quote

- Belt width (in. or mm)
- Belt tensions (lbf or kN)
 - T1 & T2 for drive pulley
 - T2 for non-drive pulley
- Arc of belt contact (a) in degrees
- Bearing center distance (in. or mm)

Information required for conveyor design

- Conveyor profile
- Design capacity (TPH)
- Conveyor length (ft. or mm)
- Conveyor lift (ft. or mm)
- Material density (lb./cu-ft. or kg/cu-m)
- Material repose angle (deg.)
- Material group (free flowing, lumpy, heavy, etc.)
- Number of belt plows
- Number of belt scrapers
- Idler angle (deg.)
- Skirt board length (ft.)

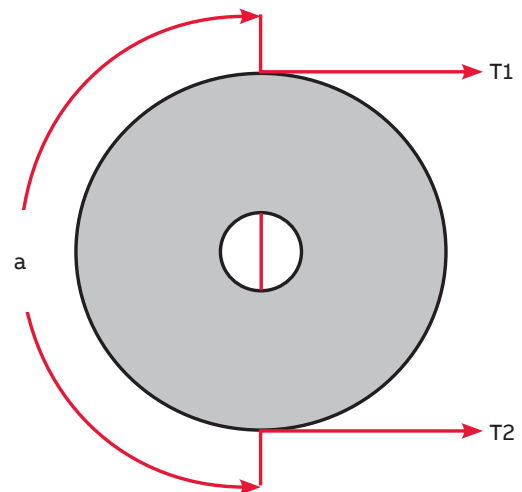


ABB Motors and Mechanical Inc.

5711 R.S. Boreham, Jr. Street
Fort Smith, AR 72901
Ph: 1.479.646.4711

new.abb.com/motors-generators

We reserve the right to make technical changes or modify the contents of this document without prior notice. With regard to purchase orders, the agreed particulars shall prevail. ABB US Motors and Generators Business Unit does not accept any responsibility whatsoever for potential errors or possible lack of information in this document.

We reserve all rights in this document and in the subject matter and illustrations contained therein. Any reproduction, disclosure to third parties or utilization of its contents – in whole or in parts – is forbidden without prior written consent of ABB US Motors and Generators Business Unit. Copyright© 2018 ABB All rights reserved