

PRODUCT NOTE

Immersible motors

Proven performance, even under 30 feet



BALDOR • RELIANCE

A diverse product line is offered to satisfy most demanding requirements:

- Horsepower range 5 to 250 Hp
- Frame range 210 to 449
- 3600, 1800, 1200, and 900 rpm
- 50 or 60 Hz

The immersible design has been proven by conducting extensive tests and inspections. The only way to claim that our motors will run underwater for two weeks is to imitate these same field conditions. At the conclusion of the testing, the motors are disassembled and inspected by engineers to assess dryness and structural integrity.

NOTE: Baldor-Reliance immersible motors are offered as custom/non-stock products only and are not available from inventory. Contact your local ABB sales office for pricing and availability.

The Baldor-Reliance® immersible motors are designed for use where the possibility of flooding exists. The motor features totally enclosed, blower-cooled enclosures and are designed with a unique sealing system. This system allows reliable operation for a period of two weeks while submerged under a maximum depth of thirty feet of water.

Optional features:

- Premium efficient designs
- Variable frequency operation on variable torque applications
- Winding temperature detectors (thermostats)
- Space heater
- P-base or C-face mounting
- Vertical or horizontal mounting available
- 25 foot power cable, other lengths available
- Patented immersible motor sealing system

Immersible motors are ideal for dry pit applications in flood plains. The motor exceeds the IP67 requirements of two weeks submersion at a depth of thirty feet.

Immersible motors

The totally enclosed blower-cooled immersible motor is equipped with a Baldor-Reliance fractional or integral HP motor for cooling. A customer supplied float switch disengages the blower motor when the submersion level reaches the top of opposite drive end plate of the primary motor. If the blower motor is submerged, it must be replaced unless equipped with optional immersible blower motor which must be serviced at an ABB approved facility.

—
460 volt, 3 phase

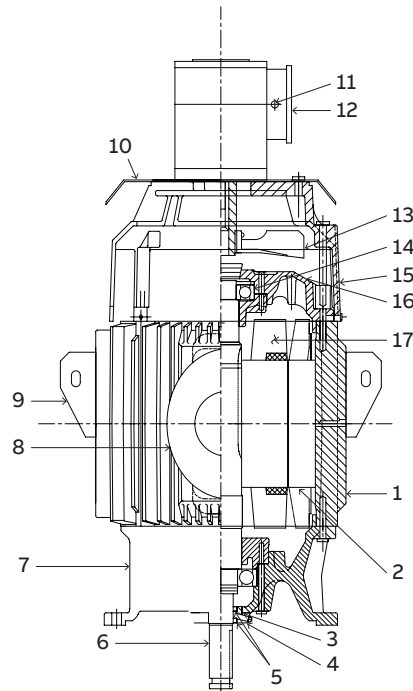
HP	3600 RPM frame	1800 RPM frame	1200 RPM frame	900 RPM frame
5	210	210	210	250
7.5	210	210	250	250
10	210	250	250	320
15	250	250	250	320
20	250	250	250	320
25	280	280	320	320
30	280	280	320	360
40	320	320	320	360
50	320	320	320	400
60	360	360	360	400
75	360	360	360	440
100	400	400	400	440
125	400	440	400	440
150	440	440	440	440
200	440	440	440	440
250	440	440	440	-

210 frame are TENV

250 and above are TEBC

The unique sealing arrangement makes the immersible motor the ideal choice for applications where the possibility of flooding exists.

- | | |
|------------------------------------|------------------------------|
| 1. Frame | 9. Lifting Plates |
| 2. Stator | 10. Drip cover |
| 3. "O" ring, seal carrier | 11. Blower motor cable entry |
| 4. Seal carriage | 12. Blower motor |
| 5. Seals | 13. Outer fan |
| 6. Shaft | 14. Front end ball bearing |
| 7. Back end bracket | 15. Fan cover |
| 8. Conduit box, cable cap assembly | 16. Front end bracket |
| | 17. Rotor |



—
ABB Motors and Mechanical Inc.
5711 R.S. Boreham, Jr. Street
Fort Smith, AR 72901
Ph: 1.479.646.4711

—
We reserve the right to make technical changes or modify the contents of this document without prior notice. With regard to purchase orders, the agreed particulars shall prevail. ABB does not accept any responsibility whatsoever for potential errors or possible lack of information in this document.

We reserve all rights in this document and in the subject matter and illustrations contained therein. Any reproduction, disclosure to third parties or utilization of its contents – in whole or in parts – is forbidden without prior written consent of ABB.
Copyright© 2017 ABB
All rights reserved