



---

# Customer information packet

## ZDVSM4110T

40HP, 1775RPM, 3PH, 60HZ, 324T, 1254M, TEFC, F1

Class - None

Division - Not Applicable

## Specifications

Enclosure	TEFC
Frame	324T
Frame Material	Iron
Frequency	60.00 Hz
Haz Area Class and Group	None
Haz Area Division	Not Applicable
Motor Letter Type	Three Phase
Output @ Frequency	40.000 HP @ 60 HZ
Phase	3
Synchronous Speed @ Frequency	1800 RPM @ 60 HZ
Voltage @ Frequency	230.0 V @ 60 HZ 460.0 V @ 60 HZ
Agency Approvals	CSA UR
Ambient Temperature	40 °C
Auxiliary Box	NO AUXILLARY BOX
Auxiliary Box Lead Termination	None
Base Indicator	Rigid
Bearing Grease Type	Polyrex EM (-20F +300F)
Blower	None
Current @ Voltage	96.000 A @ 230.0 V 48.000 A @ 460.0 V 102.000 A @ 208.0 V
Design Code	A
Drip Cover	No Drip Cover
Duty Rating	CONT
Efficiency @ 100% Load	94.1 %
Electrically Isolated Bearing	Not Electrically Isolated
Feedback Device	ENCODER
Front Face Code	Standard
Front Shaft Indicator	None
Heater Indicator	No Heater

## Part detail

Revision	L
Type	AC
Mech. spec.	12G535
Base	
Status	PRD/A
Elec. spec.	12WGY276
Layout	12LYG535
Eff. date	05-05-2026
CD Diagram	CD0180
Poles	04
Leads	9#8
Proprietary	False
Created date	03-14-2017

High Voltage Full Load Amps	48.0 a
Insulation Class	F
Inverter Code	Inverter Duty
KVA Code	H
Lifting Lugs	Standard Lifting Lugs
Locked Bearing Indicator	Locked Bearing
Max Speed	2700 rpm
Motor Lead Exit	Ko Box
Motor Lead Quantity/Wire Size	9 @ 8 AWG
Motor Lead Termination	Flying Leads
Motor Standards	NEMA
Motor Type	1254M
Mounting Arrangement	F1
Number of Poles	4
Overall Length	33.14 IN
Power Factor	82
Product Family	General Purpose
Pulley End Bearing Type	Ball
Pulley Face Code	Standard
Pulley Shaft Indicator	Standard
Rodent Screen	None
Service Factor	1.00
Shaft Diameter	2.125 IN
Shaft Extension Location	Pulley End
Shaft Ground Indicator	No Shaft Grounding
Shaft Rotation	Reversible
Shaft Slinger Indicator	Shaft Slinger
Speed	1775 rpm
Speed Code	Single Speed
Starting Method	Direct on line
Thermal Device - Bearing	NONE (OLD)
Thermal Device - Winding	Normally Closed Thermostat
Vibration Sensor Indicator	No Vibration Sensor
Winding Thermal 1	None

**Winding Thermal 2**

**None**

---

**Nameplate**

<b>NP3304L</b>			
<b>CAT NO</b>	ZDVSM4110T		
<b>SPEC.</b>	12G535Y276Z1		
<b>FRAME</b>	324T	<b>HP</b>	40 TE
<b>VOLTS</b>	230/460		
<b>MAG CUR</b>	39/19.5	<b>FLA</b>	96/48
<b>RPM</b>	1775	<b>RPM MAX</b>	2700
<b>HZ</b>	60	<b>PH</b>	3 <b>CLASS</b> F
<b>SER.F.</b>	1.00	<b>SL HZ</b>	0.85
<b>NEMA-NOM-EFF</b>	94.1	<b>WK2</b>	7.19
<b>RATING</b>	40C AMB-CONT		
<b>DE BRG</b>	6312	<b>ODE BRG</b>	6311
<b>CC</b>	010A	<b>SER.NO</b>	
	1.5:1 CHP PWM		
	1000:1 CT, 1000:1 VT		

NP VOLTS	230/460	MAX SAFE RPM	2700	WYE CONN. E.O.C.T OHMS PER PHASE (BASE RATING, 20C)
NP AMPS	96/48	Base Volt	460	R1 0.077 X1 0.428
HP	40HP	NL AMPS	19.5	R2 0.060 X2 0.492
BASE SPEED	1775	Slips (Hz)	0.67	XM 11.900
PHASE/HZ	3/60	WK <sup>2</sup> (lb-ft <sup>2</sup> )	7.19	

**Rated Full Load Data**

	RPM	HP	Torque	Volts	Freq-Hz	Amps
Base Speed	1780	40.0	118.0	460	60	48.4
Max Speed	2669	40.0	78.7	460	90	45.1
Min Speed	0	0.0	118.0	16.88	0.67	48.4

**Load Performance at Base Speed**

	RPM	HP	Torque	Volts	Freq-Hz	Amps
No Load	1799	0.0	0.0	460	60	19.5
1/4	1795	10.1	29.5	460	60	22.9
1/2	1790	20.1	59.0	460	60	30.1
3/4	1785	30.1	88.6	460	60	38.9
Full Load	1780	40.0	118.0	460	60	48.4
O/L	1758	80.0	239.0	460	60	94.0

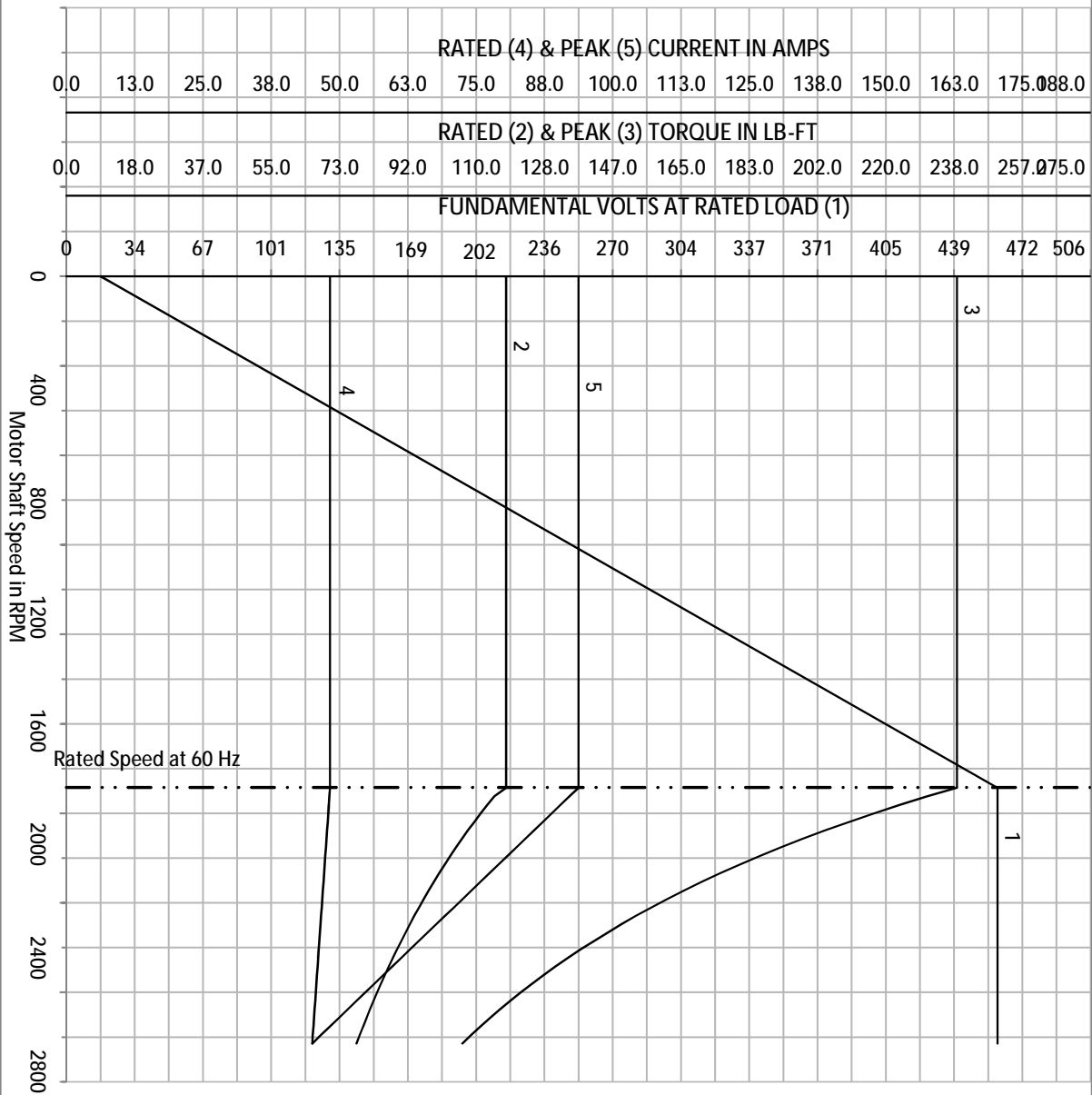
Blower Data	Volts	Ph/Hz	FL Amps	LR Amps	Frame	CFM

Remarks: Calculated Data  
Vector PWM Inverter Duty

<p><b>BALDOR • RELIANCE</b></p>	DR BY	BR	<p>A-C MOTOR PERFORMANCE CURVES</p>
	CK BY	BR	
	APP BY		
	DATE	5/29/2018	

NP VOLTS	230/460	MAX SAFE RPM	2700	WFE CONN EQ OCT OHMS PER PHASE (BASE RATING, 20C)			
NP AMPS	96/48	Base Volt	460	R1	0.077	X1	0.428
HP	40HP	NL AMPS	19.5	R2	0.060	X2	0.492
BASE SPEED	1775	Slips (Hz)	0.67	XM			11.900
PHASE/HZ	3/60	WK2 (lb-ft <sup>2</sup> )	7.19				

Vector PWM Inverter Duty  
Variable Speed AC Motor Curves



Calculated Data

Data Valid For Nameplate Speed Range only

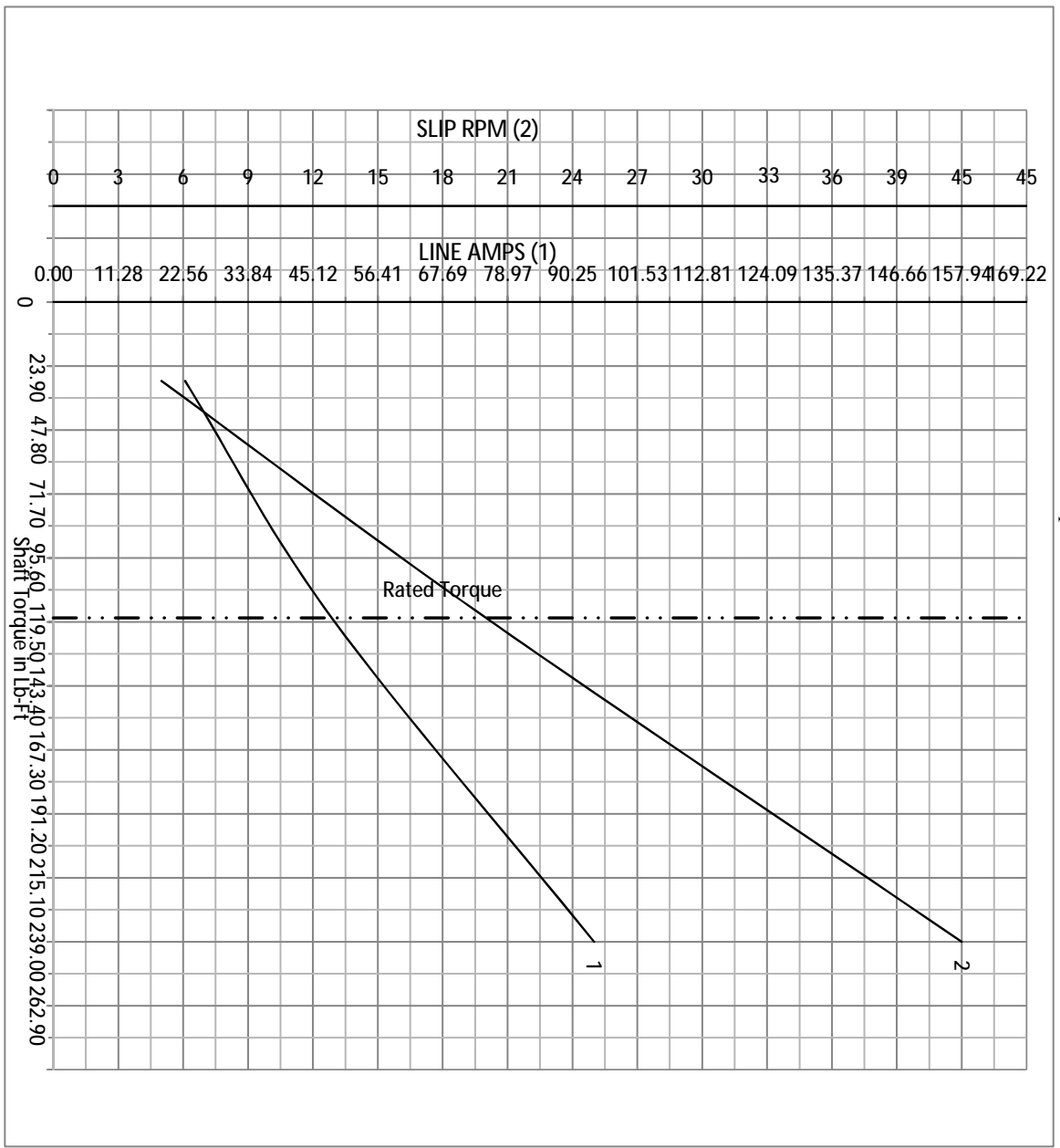
**BALDOR • RELIANCE**

DR BY BR  
 CK BY BR  
 APP BY BR  
 DATE 5/29/2018

A-C MOTOR  
 PERFORMANCE  
 CURVES  
**12WGY276**

NP VOLTS	230/460	MAX SAFE RPM	2700	WYE CONN EQ.CKT OHMS PER PHASE (BASE RATING, 20C)			
NP AMPS	96/48	Base Volt	460	R1	0.077	X1	0.428
HP	40HP	NL AMPS	19.5	R2	0.060	X2	0.492
BASE SPEED	1775	Slips (Hz)	0.67			XM	11.900
PHASE/HZ	3/60	WK2 (lb-ft <sup>2</sup> )	7.19				

Vector PWM Inverter Duty  
Variable Speed AC Motor Curves

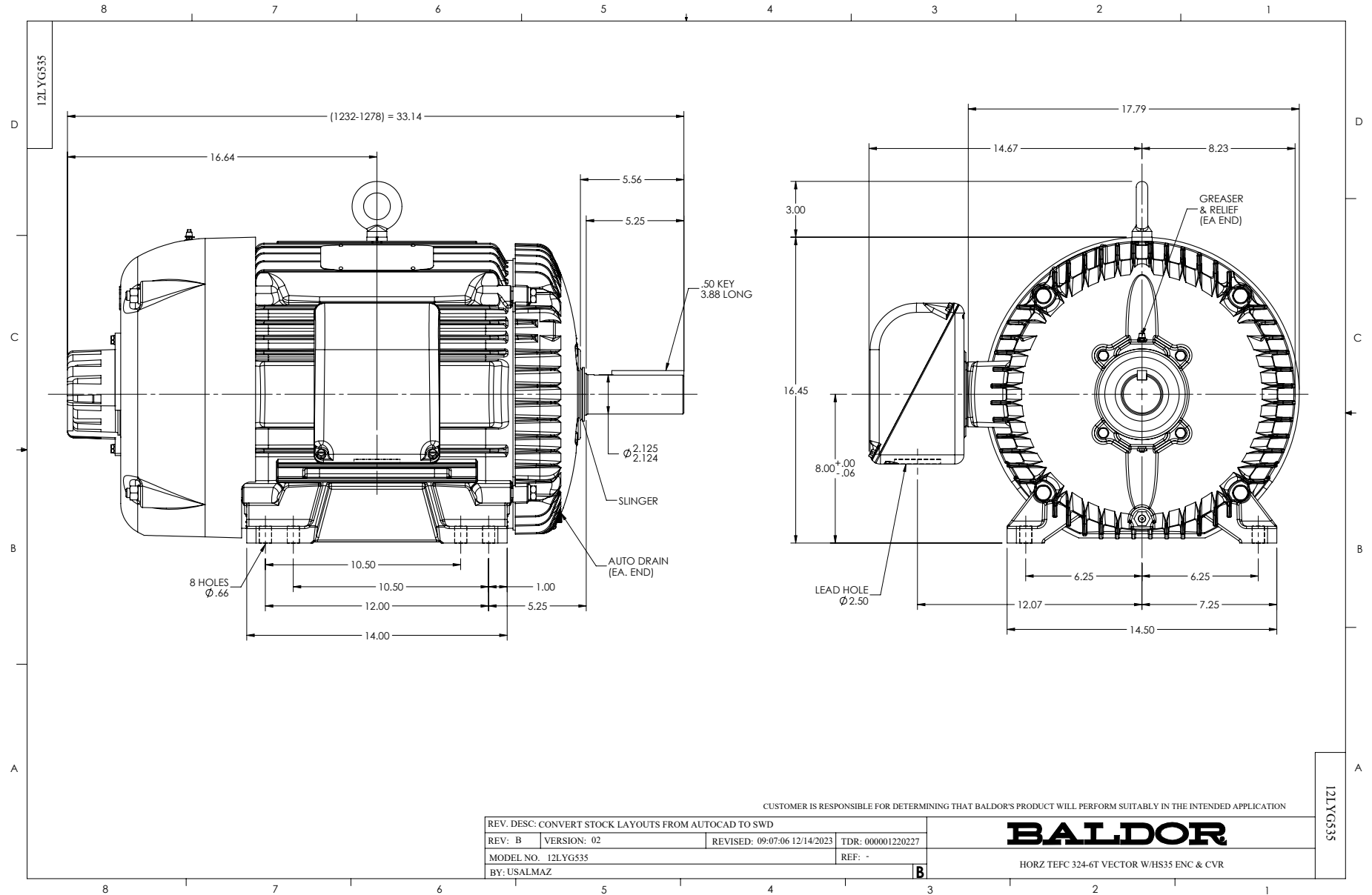


Calculated Data  
Data Valid For Nameplate Speed Range only

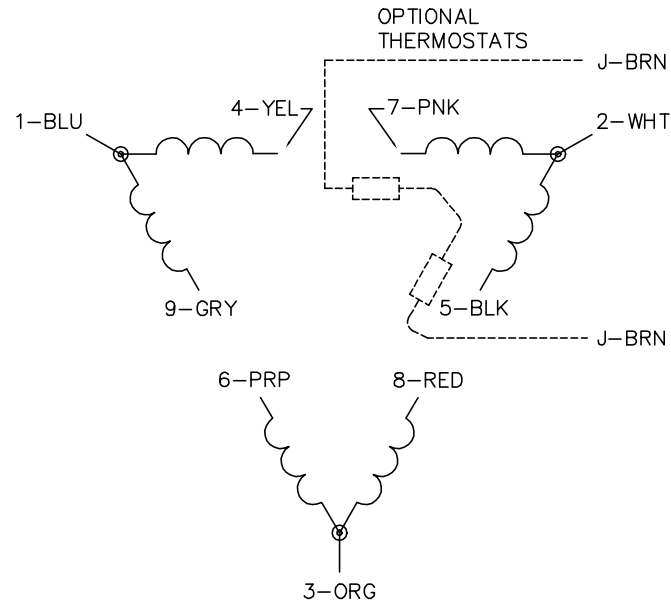
**BALDOR • RELIANCE**

DR BY BR  
CK BY BR  
APP BY BR  
DATE 5/29/2018

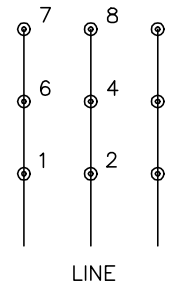
A-C MOTOR PERFORMANCE CURVES **12WGY276**



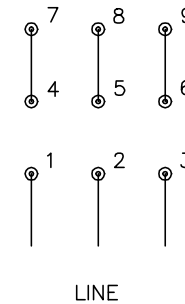
CD0180



LOW VOLTAGE  
(2D)



HIGH VOLTAGE  
(1D)



NOTES:

1. INTERCHANGE ANY TWO LINE LEADS TO REVERSE ROTATION.
2. OPTIONAL THERMOSTATS ARE PROVIDED WHEN SPECIFIED.
3. ACTUAL NUMBER OF INTERNAL PARALLEL CIRCUITS MAY BE A MULTIPLE OF THOSE SHOWN ABOVE.
4. LEAD COLORS ARE OPTIONAL. LEADS MUST ALWAYS BE NUMBERED AS SHOWN.

CD0180

REV. DESC: ADD CLASS CONN00000007		
REV. LTR: D	VERSION: 01	TDR: 000001099922
FILE: \AAA\00005\148	REVISED: 10: 25: 29 02/19/2019	BY: ENBRIRO
MTL: -	© □	

**BALDOR - RELIANCE®**

3PH, DV, 9 LEADS, DELTA CONNECTION

SH 1 of 1