

**BALDOR • RELIANCE**

---

# Customer information packet

## ZDVSM2333T

15HP, 1765RPM, 3PH, 60HZ, 254TC, 0944M, TEFC, F

Class - None

Division - Not Applicable

## Specifications

Enclosure	TEFC
Frame	254TC
Frame Material	Iron
Frequency	60.00 Hz
Haz Area Class and Group	None
Haz Area Division	Not Applicable
Motor Letter Type	Three Phase
Output @ Frequency	15.000 HP @ 60 HZ
Phase	3
Synchronous Speed @ Frequency	1800 RPM @ 60 HZ
Voltage @ Frequency	230.0 V @ 60 HZ 460.0 V @ 60 HZ
Agency Approvals	CSA UR
Ambient Temperature	40 °C
Auxillary Box	No Auxillary Box
Auxillary Box Lead Termination	None
Base Indicator	Rigid
Bearing Grease Type	Polyrex EM (-20F +300F)
Blower	None
Current @ Voltage	18.100 A @ 460.0 V 36.200 A @ 230.0 V 38.000 A @ 208.0 V
Design Code	A
Drip Cover	No Drip Cover
Duty Rating	CONT
Efficiency @ 100% Load	92.4 %
Electrically Isolated Bearing	Not Electrically Isolated
Feedback Device	ENCODER
Front Shaft Indicator	None
Heater Indicator	No Heater
High Voltage Full Load Amps	18.1 a

## Part detail

Revision	E
Type	AC
Mech. spec.	09K343
Base	
Status	PRD/A
Elec. spec.	09WGT597
Layout	09LYK343
Eff. date	11-14-2023
CD Diagram	CD0005
Poles	04
Leads	9#12
Proprietary	False
Created date	02-02-2021

<b>Insulation Class</b>	F
<b>Inverter Code</b>	Inverter Duty
<b>KVA Code</b>	H
<b>Lifting Lugs</b>	Standard Lifting Lugs
<b>Locked Bearing Indicator</b>	Locked Bearing
<b>Max Speed</b>	2700 rpm
<b>Motor Lead Quantity/Wire Size</b>	9 @ 12 AWG
<b>Motor Lead Termination</b>	Flying Leads
<b>Motor Standards</b>	NEMA
<b>Motor Type</b>	0944M
<b>Mounting Arrangement</b>	F1
<b>Number of Poles</b>	4
<b>Overall Length</b>	26.83 IN
<b>Power Factor</b>	84
<b>Product Family</b>	General Purpose
<b>Pulley End Bearing Type</b>	Ball
<b>Pulley Face Code</b>	C-Face
<b>Pulley Shaft Indicator</b>	Standard
<b>Rodent Screen</b>	None
<b>RoHS Status</b>	ROHS NON-COMPLIANT
<b>Service Factor</b>	1.00
<b>Shaft Diameter</b>	1.625 IN
<b>Shaft Ground Indicator</b>	No Shaft Grounding
<b>Shaft Rotation</b>	Reversible
<b>Shaft Slinger Indicator</b>	Shaft Slinger
<b>Speed</b>	1765 rpm
<b>Speed Code</b>	Single Speed
<b>Starting Method</b>	Direct on line
<b>Thermal Device - Bearing</b>	None
<b>Thermal Device - Winding</b>	Normally Closed Thermostat
<b>Vibration Sensor Indicator</b>	No Vibration Sensor
<b>Winding Thermal 1</b>	None
<b>Winding Thermal 2</b>	None

**Nameplate**

<b>NP3304L</b>			
<b>CAT NO</b>	ZDVSM2333T		
<b>SPEC.</b>	09K343T597Z1		
<b>FRAME</b>	254TC	<b>HP</b>	15 TE
<b>VOLTS</b>	230/460		
<b>MAG CUR</b>	14.6/7.3	<b>FLA</b>	36.2/18.1
<b>RPM</b>	1765	<b>RPM MAX</b>	2700
<b>HZ</b>	60	<b>PH</b>	3 <b>CLASS</b> F
<b>SER.F.</b>	1.00	<b>SL HZ</b>	1.2
<b>NEMA-NOM-EFF</b>	92.4	<b>WK2</b>	1.93
<b>RATING</b>	40C AMB-CONT		
<b>DE BRG</b>	6309	<b>ODE BRG</b>	6208
<b>CC</b>	010A	<b>SER.NO</b>	
	1.5:1 CHP PWM		

**AC Induction Motor Performance Data**

Record # 86512

Preliminary Data Sheet

<b>Winding:</b> 09WGT597-R010		<b>Type:</b> 0944M		<b>Enclosure:</b> TEFC		
<b>Nameplate Data</b>			<b>460 V, 60 Hz: High Voltage Connection</b>			
<b>Rated Output (HP)</b>	15		<b>Full Load Torque</b>	44.5 LB-FT		
<b>Volts</b>	230/460		<b>Start Configuration</b>	direct on line		
<b>Full Load Amps</b>	36.2/18.1		<b>Breakdown Torque</b>	154 LB-FT		
<b>R.P.M.</b>	1765		<b>Pull-up Torque</b>	67.2 LB-FT		
<b>Hz</b>	60	<b>Phase</b>	3	<b>Locked-rotor Torque</b>	83.5 LB-FT	
<b>NEMA Design Code</b>	A		<b>KVA Code</b>	H	<b>Starting Current</b>	129 A
<b>Service Factor (S.F.)</b>	1		<b>No-load Current</b>	7.32 A		
<b>NEMA Nom. Eff.</b>	92.4	<b>Power Factor</b>	84	<b>Line-line Res. @ 25°C</b>	0.57 Ω	
<b>Rating - Duty</b>	40C AMB-CONT		<b>Temp. Rise @ Rated Load</b>	52°C		
			<b>Locked-rotor Power Factor</b>	33.3291		
			<b>Rotor inertia</b>	1.92 lb-ft <sup>2</sup>		

**Load Characteristics 460 V, 60 Hz, 15 HP**

<b>% of Rated Load</b>	<b>25</b>	<b>50</b>	<b>75</b>	<b>100</b>	<b>125</b>	<b>150</b>
<b>Power Factor</b>	48	70	79	84	86	87
<b>Efficiency</b>	87.3	91.8	92.8	92.3	91.6	90.7
<b>Speed</b>	1792	1785	1777	1768	1759	1749
<b>Line amperes</b>	8.45	11	14.3	18.1	22.2	26.7

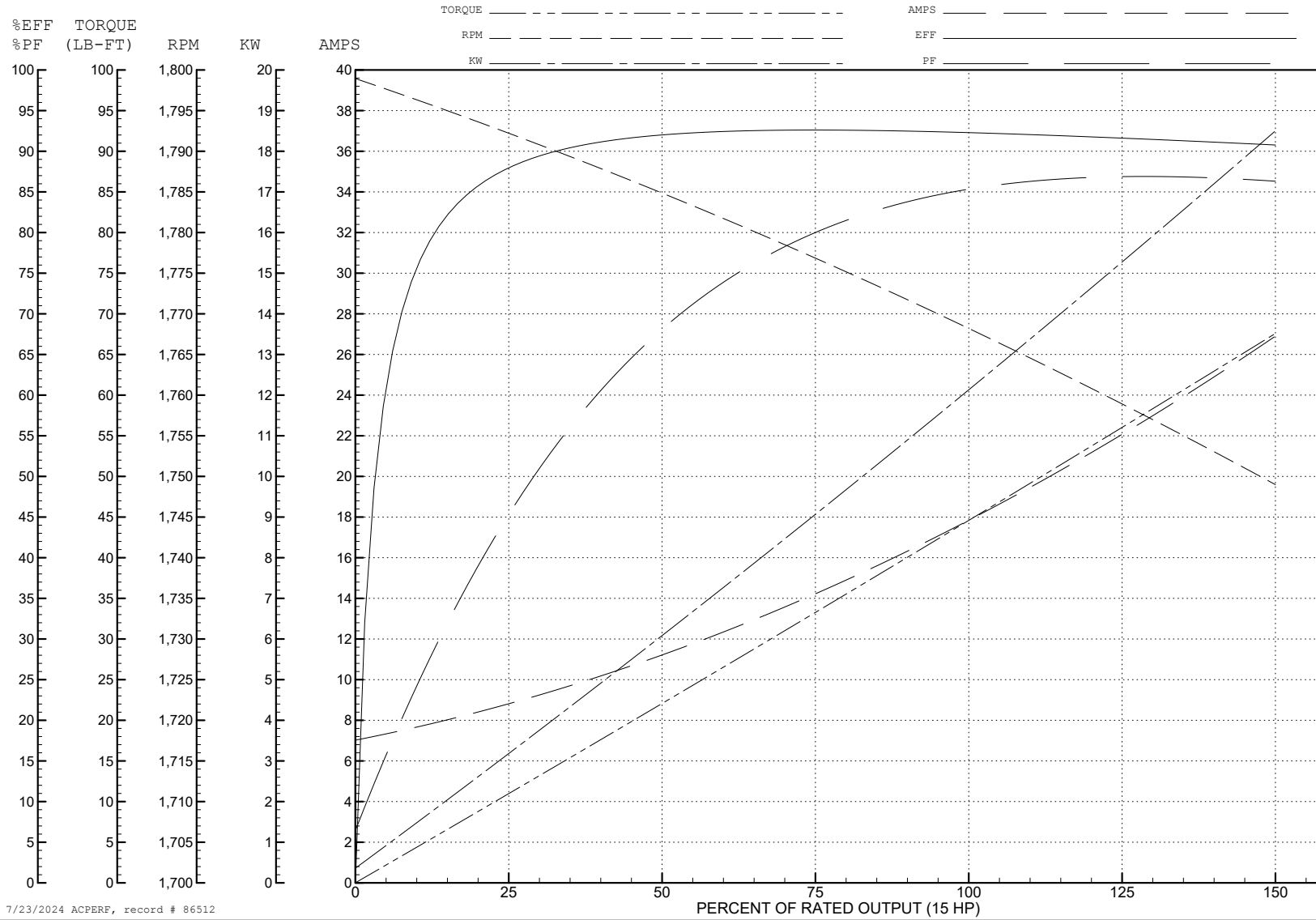
ABB Motors and Mechanical Inc.

WINDING # 09WGT597

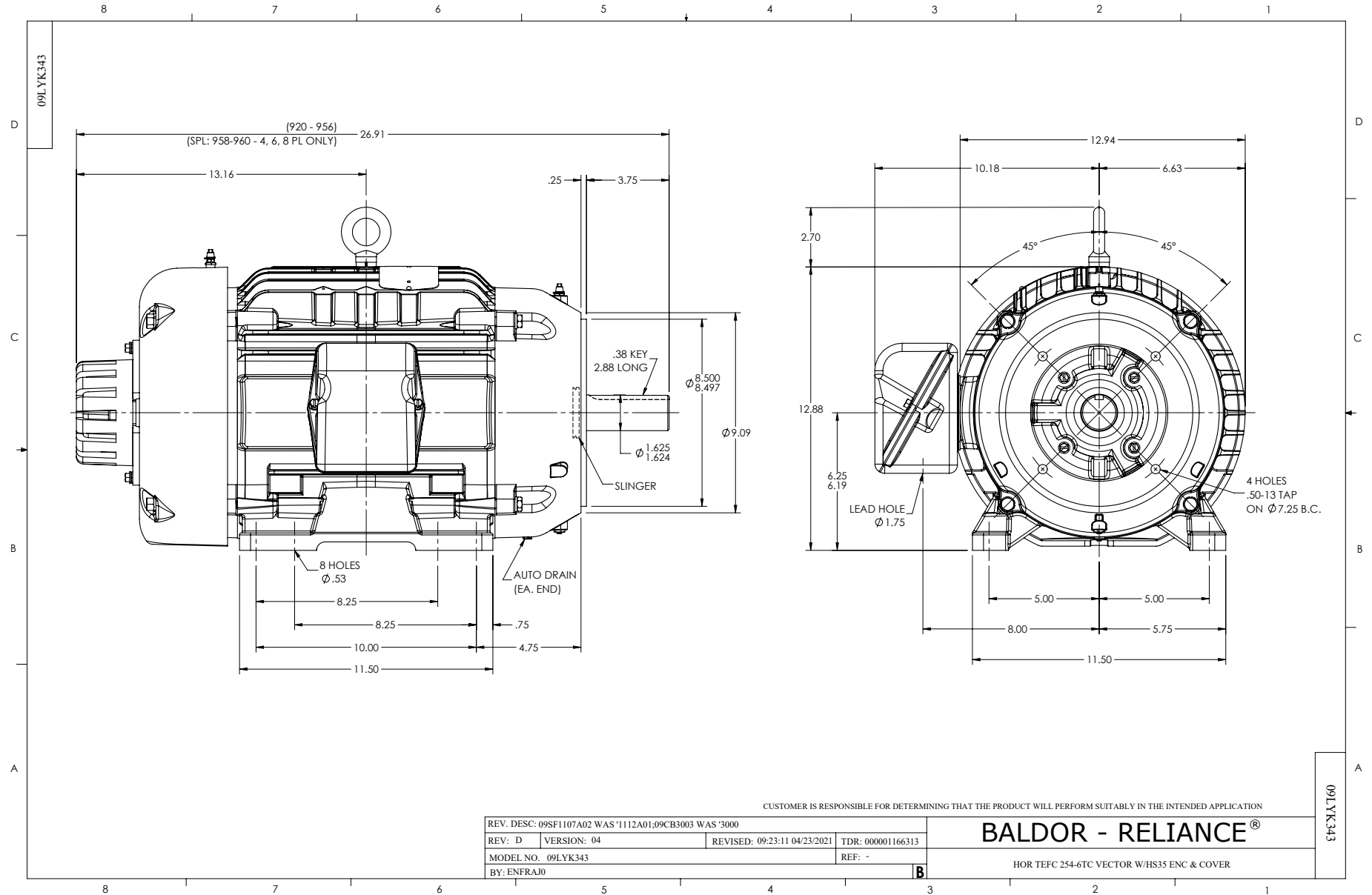
15 HP 3 PH 60 HZ 1765 RPM 460 V 0944M

Typical performance - not guaranteed values.

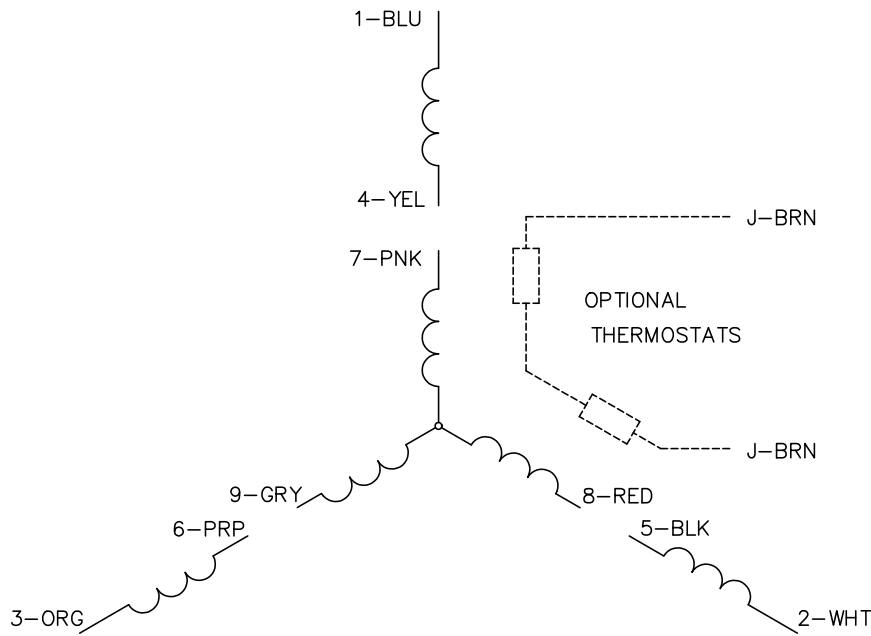
TORQUES (LB-FT): PO=154 PU=67.2 LR=83.5 LRA=129



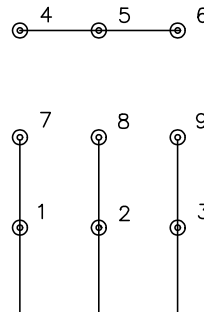
7/23/2024 ACPERF, record # 86512



CD0005

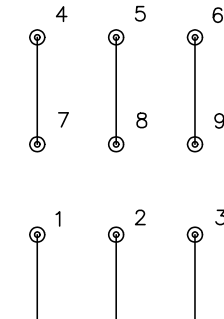


LOW VOLTAGE  
(2Y)



LINE

HIGH VOLTAGE  
(1Y)



LINE

NOTES:

1. INTERCHANGE ANY TWO LINE LEADS TO REVERSE ROTATION.
2. OPTIONAL THERMOSTATS ARE PROVIDED WHEN SPECIFIED.
3. ACTUAL NUMBER OF INTERNAL PARALLEL CIRCUITS MAY BE A MULTIPLE OF THOSE SHOWN ABOVE.
4. LEAD COLORS ARE OPTIONAL. LEADS MUST ALWAYS BE NUMBERED AS SHOWN.

CD0005

REV. DESC: REVISE TO SHOW OPTIONAL COLORS			
REV. LTR: E	BY: JLP	REVISED: 01/19/99 10:15	TDR: 0171435
S00000		FILE: AAA00005140	MDL: -
		MTL: -	

BALDOR ELECTRIC Co.

3PH, DV, 9 LEADS