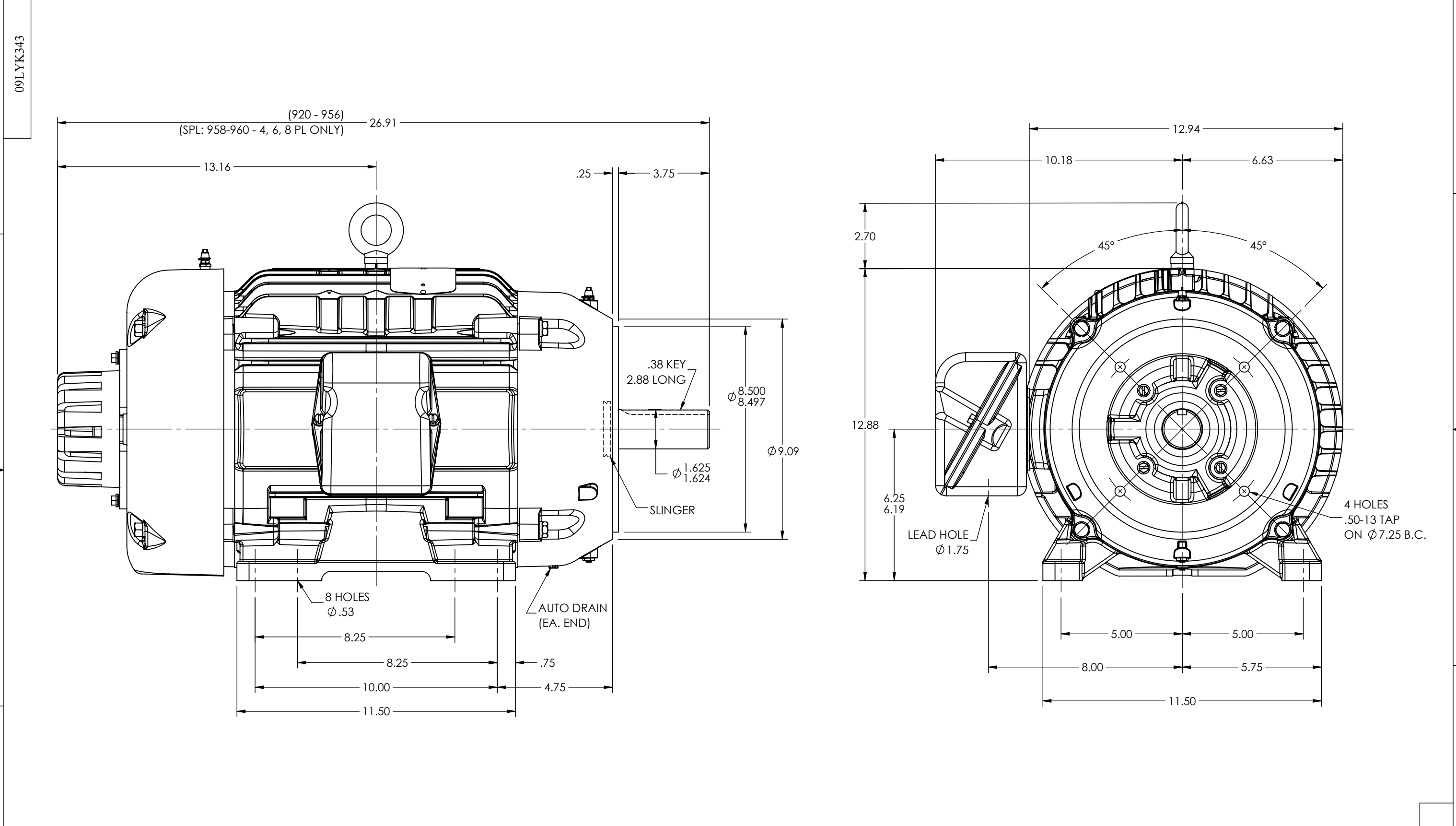


8 7 6 5 4 3 2 1



CUSTOMER IS RESPONSIBLE FOR DETERMINING THAT THE PRODUCT WILL PERFORM SUITABLY IN THE INTENDED APPLICATION

REV. DESC: 09SF1107A02 WAS '1112A01;09CB3003 WAS '3000			
REV: D	VERSION: 04	REVISED: 09:23:11 04/23/2021	TDR: 000001166313
MODEL NO. 09LYK343		REF: -	
BY: ENFRAJ0			B

BALDOR - RELIANCE®

HOR TEFC 254-6TC VECTOR W/HS35 ENC & COVER

09LYK343

8 7 6 5 4 3 2 1