

BALDOR • RELIANCE

Customer information packet

ZDVSCP4115T

50HP, 1775RPM, 3PH, 60HZ, 326T, 1272M, TEFC, F1

Class - None

Division - Not Applicable

Specifications

Enclosure	TEFC
Frame	326T
Frame Material	Iron
Frequency	60.00 Hz
Haz Area Class and Group	None
Haz Area Division	Not Applicable
Motor Letter Type	Three Phase
Output @ Frequency	50.000 HP @ 60 HZ
Phase	3
Synchronous Speed @ Frequency	1800 RPM @ 60 HZ
Voltage @ Frequency	230.0 V @ 60 HZ 460.0 V @ 60 HZ
Agency Approvals	UR CSA
Ambient Temperature	40 °C
Auxillary Box	No Auxillary Box
Auxillary Box Lead Termination	None
Base Indicator	Rigid
Bearing Grease Type	Polyrex EM (-20F +300F)
Blower	None
Current @ Voltage	116.000 A @ 230.0 V 58.000 A @ 460.0 V
Design Code	A
Drip Cover	No Drip Cover
Duty Rating	CONT
Efficiency @ 100% Load	94.5 %
Electrically Isolated Bearing	Not Electrically Isolated
Feedback Device	TACHOMETER
Front Shaft Indicator	None
Heater Indicator	No Heater
High Voltage Full Load Amps	58.0 a
Insulation Class	F

Part detail

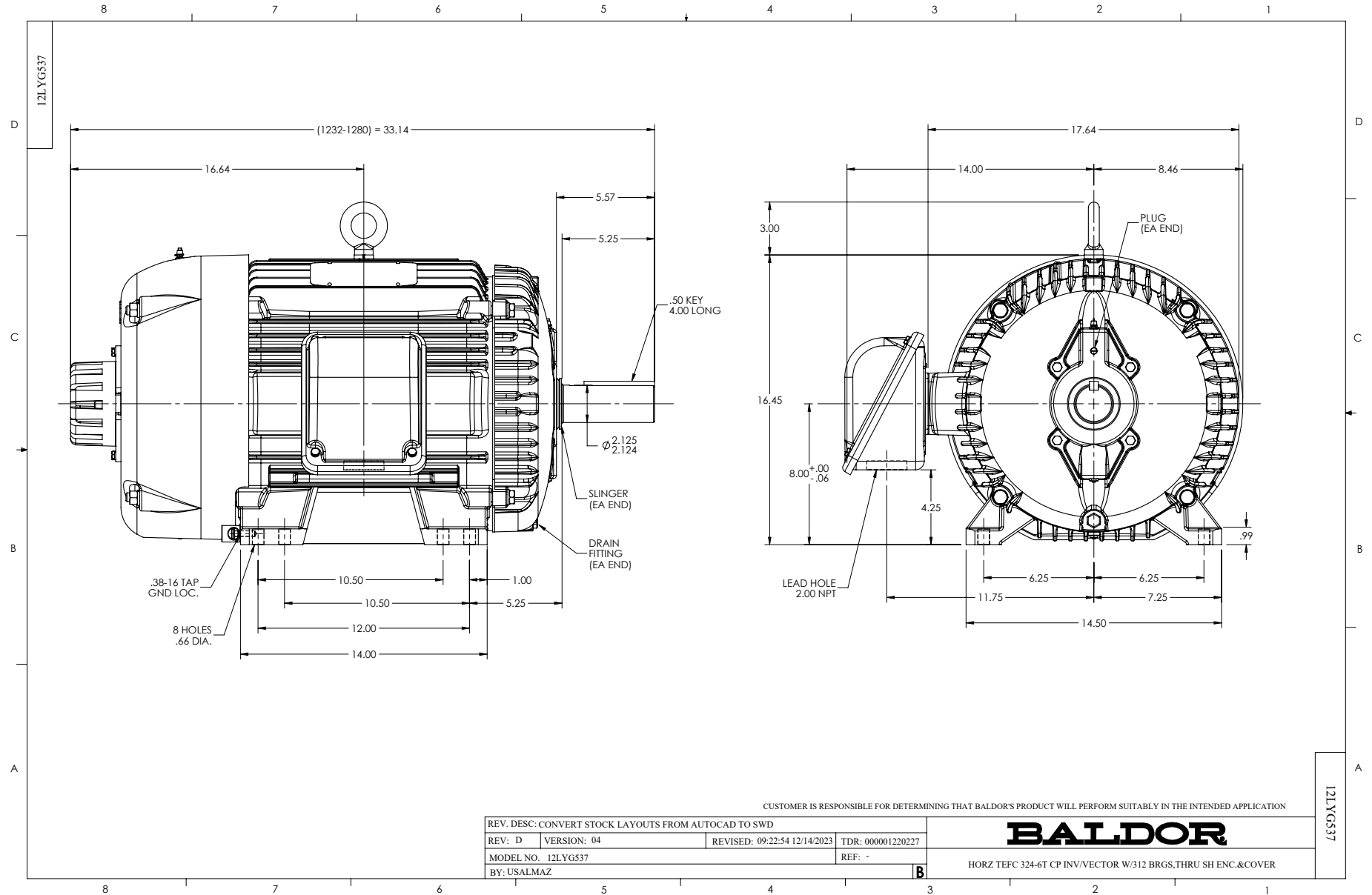
Revision	C
Type	AC
Mech. spec.	12G537
Base	
Status	PRD/A
Elec. spec.	12WGZ279
Layout	12LYG537
Eff. date	08-01-2023
CD Diagram	CD0180
Poles	04
Leads	9#6
Proprietary	False
Created date	02-03-2021

Inverter Code	Inverter Duty
KVA Code	H
Lifting Lugs	Standard Lifting Lugs
Locked Bearing Indicator	Locked Bearing
Max Speed	2700 rpm
Motor Lead Quantity/Wire Size	9 @ 6 AWG
Motor Lead Termination	Flying Leads
Motor Standards	NEMA
Motor Type	1272M
Mounting Arrangement	F1
Number of Poles	4
Overall Length	33.14 IN
Power Factor	85
Product Family	Chemical Processing (Not DC)
Pulley End Bearing Type	Ball
Pulley Face Code	Standard
Pulley Shaft Indicator	Standard
Rodent Screen	None
RoHS Status	ROHS NON-COMPLIANT
Service Factor	1.00
Shaft Diameter	2.125 IN
Shaft Ground Indicator	No Shaft Grounding
Shaft Rotation	Reversible
Shaft Slinger Indicator	Shaft Slinger
Speed	1775 rpm
Speed Code	Single Speed
Starting Method	Direct on line
Thermal Device - Bearing	None
Thermal Device - Winding	Normally Closed Thermostat
Vibration Sensor Indicator	No Vibration Sensor
Winding Thermal 1	None
Winding Thermal 2	None

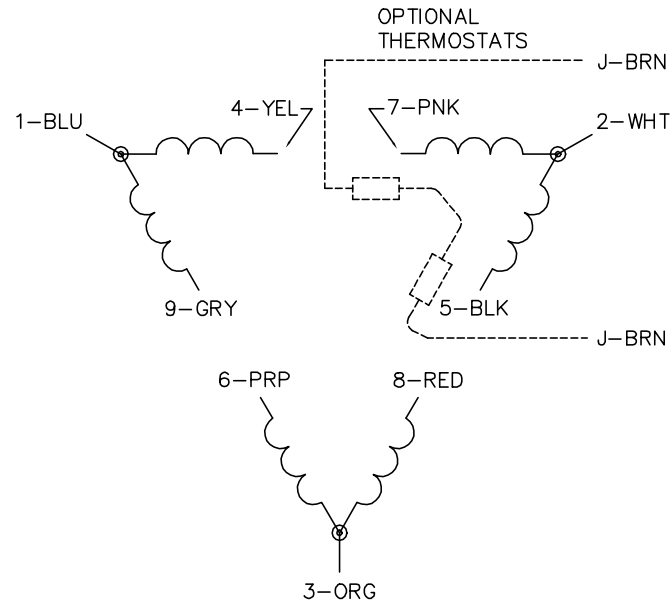
Nameplate

NP3303L			
CAT NO	ZDVSCP4115T		
SPEC.	12G537Z279Z1		
FRAME	326T	HP	50 TE
VOLTS	230/460		
MAG CUR	40/20	FLA	116/58
RPM	1775	RPM MAX	2700
HZ	60	PH	3 CLASS F
SER.F.	1.00	SL HZ	0.8
NEMA-NOM-EFF	94.5	WK2	9.59
RATING	40C AMB-CONT		
DE BRG	6312	ODE BRG	6312
CC	010A SN		
	1.5:1 CHP PWM		

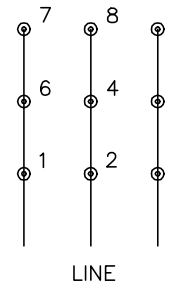
NP0090L	
FRONT	6312
PULLEY	6312
LUBRICATE WITH	
GREASE	POLYREX EM



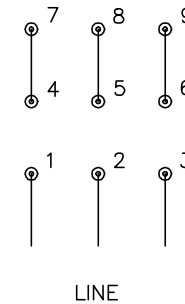
CD0180



LOW VOLTAGE
(2D)



HIGH VOLTAGE
(1D)



NOTES:

1. INTERCHANGE ANY TWO LINE LEADS TO REVERSE ROTATION.
2. OPTIONAL THERMOSTATS ARE PROVIDED WHEN SPECIFIED.
3. ACTUAL NUMBER OF INTERNAL PARALLEL CIRCUITS MAY BE A MULTIPLE OF THOSE SHOWN ABOVE.
4. LEAD COLORS ARE OPTIONAL. LEADS MUST ALWAYS BE NUMBERED AS SHOWN.

CD0180

REV. DESC: ADD CLASS CONN00000007		
REV. LTR: D	VERSION: 01	TDR: 000001099922
FILE: \AAA\00005\148	REVISED: 10: 25: 29 02/19/2019	BY: ENBRIRO
MTL: -	© □	

BALDOR - RELIANCE®

3PH, DV, 9 LEADS, DELTA CONNECTION

SH 1 of 1