

**BALDOR • RELIANCE**

---

# Customer information packet

## ZDVSCP4103T

25HP, 1775RPM, 3PH, 60HZ, 284TC, 1054M, TEFC, F

Class - None

Division - Not Applicable

## Specifications

Enclosure	TEFC
Frame	284TC
Frame Material	Iron
Frequency	60.00 Hz
Haz Area Class and Group	None
Haz Area Division	Not Applicable
Motor Letter Type	Three Phase
Output @ Frequency	25.000 HP @ 60 HZ
Phase	3
Synchronous Speed @ Frequency	1800 RPM @ 60 HZ
Voltage @ Frequency	230.0 V @ 60 HZ 460.0 V @ 60 HZ
Agency Approvals	CSA UR
Ambient Temperature	40 °C
Auxillary Box	No Auxillary Box
Auxillary Box Lead Termination	None
Base Indicator	Rigid
Bearing Grease Type	Polyrex EM (-20F +300F)
Blower	None
Current @ Voltage	64.000 A @ 208.0 V 62.000 A @ 230.0 V 31.000 A @ 460.0 V
Design Code	A
Drip Cover	No Drip Cover
Duty Rating	CONT
Efficiency @ 100% Load	93.6 %
Electrically Isolated Bearing	Not Electrically Isolated
Feedback Device	TACHOMETER
Front Face Code	Standard
Front Shaft Indicator	None
Heater Indicator	No Heater

## Part detail

Revision	K
Type	AC
Mech. spec.	10H956
Base	
Status	PRD/A
Elec. spec.	10WGZ651
Layout	10LYH956
Eff. date	08-01-2023
CD Diagram	CD0180
Poles	04
Leads	9#10
Proprietary	False
Created date	12-13-2017

High Voltage Full Load Amps	31.0 a
Insulation Class	F
Inverter Code	Inverter Duty
KVA Code	J
Lifting Lugs	Standard Lifting Lugs
Locked Bearing Indicator	Locked Bearing
Max Speed	2700 rpm
Motor Lead Exit	Ko Box
Motor Lead Quantity/Wire Size	9 @ 10 AWG
Motor Lead Termination	Flying Leads
Motor Standards	NEMA
Motor Type	1054M
Mounting Arrangement	F1
Number of Poles	4
Overall Length	30.79 IN
Power Factor	81
Product Family	Chemical Processing (Not DC)
Pulley End Bearing Type	Ball
Pulley Face Code	C-Face
Pulley Shaft Indicator	Standard
Rodent Screen	None
Service Factor	1.00
Shaft Diameter	1.875 IN
Shaft Extension Location	Pulley End
Shaft Ground Indicator	No Shaft Grounding
Shaft Rotation	Reversible
Shaft Slinger Indicator	Shaft Slinger
Speed	1775 rpm
Speed Code	Single Speed
Starting Method	Direct on line
Thermal Device - Bearing	None
Thermal Device - Winding	Normally Closed Thermostat
Vibration Sensor Indicator	No Vibration Sensor
Winding Thermal 1	None

**Winding Thermal 2**

**None**

---

**Nameplate**

<b>NP3303L</b>			
<b>CAT NO</b>	ZDVSCP4103T		
<b>SPEC.</b>	10H956Z651Z1		
<b>FRAME</b>	284TC	<b>HP</b>	25 TE
<b>VOLTS</b>	230/460		
<b>MAG CUR</b>	27.2/13.6	<b>FLA</b>	62/31
<b>RPM</b>	1775	<b>RPM MAX</b>	2700
<b>HZ</b>	60	<b>PH</b>	3 <b>CLASS</b> F
<b>SER.F.</b>	1.00	<b>SL HZ</b>	0.8
<b>NEMA-NOM-EFF</b>	93.6	<b>WK2</b>	4.13
<b>RATING</b>	40C AMB-CONT		
<b>DE BRG</b>	6311	<b>ODE BRG</b>	6311
<b>CC</b>	010A <b>SN</b>		
	1.5:1 CHP PWM		

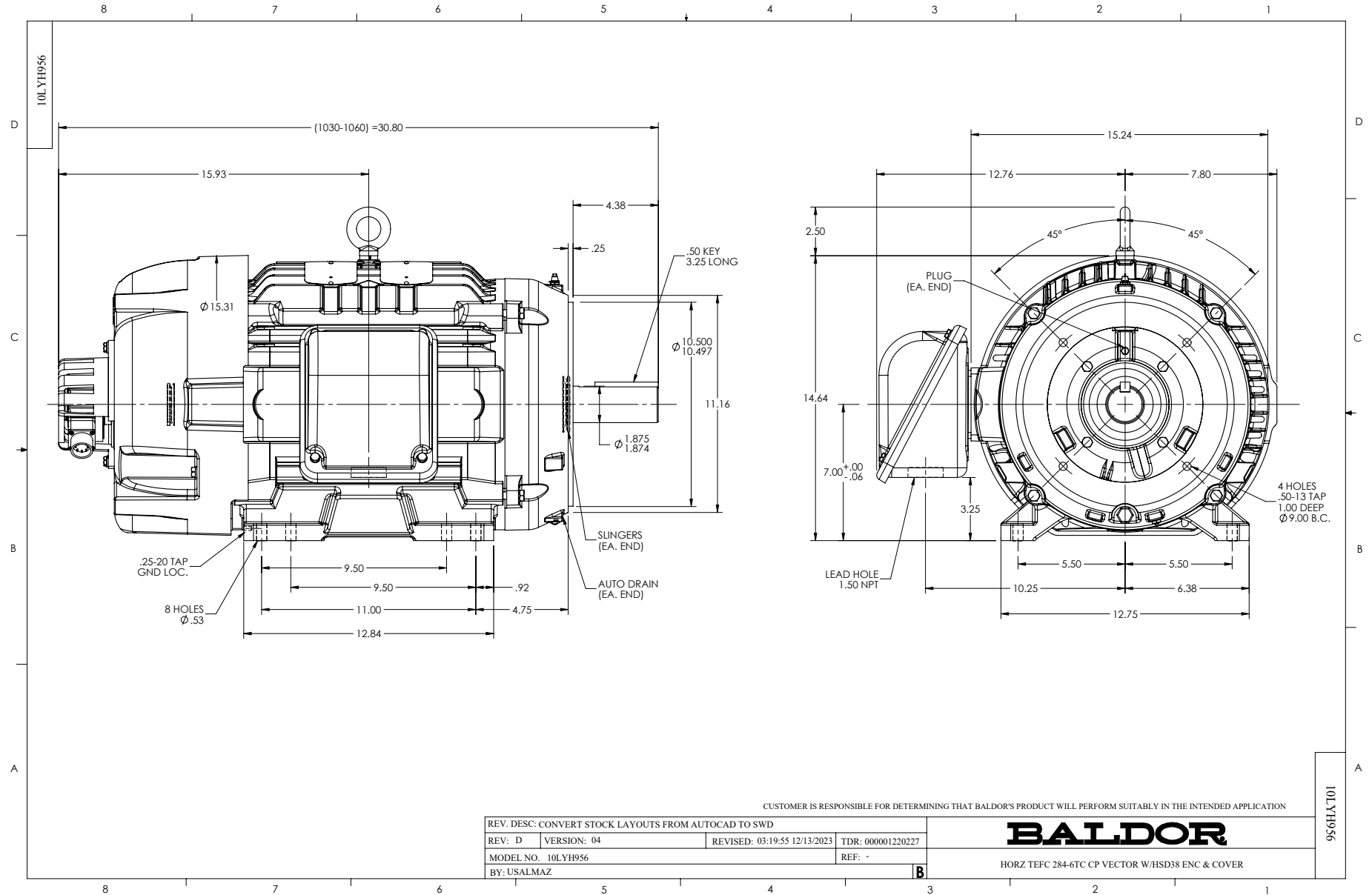
<b>NP0090L</b>	
<b>FRONT</b>	6311
<b>PULLEY</b>	6311
<b>LUBRICATE WITH</b>	
<b>GREASE</b>	POLYREX EM



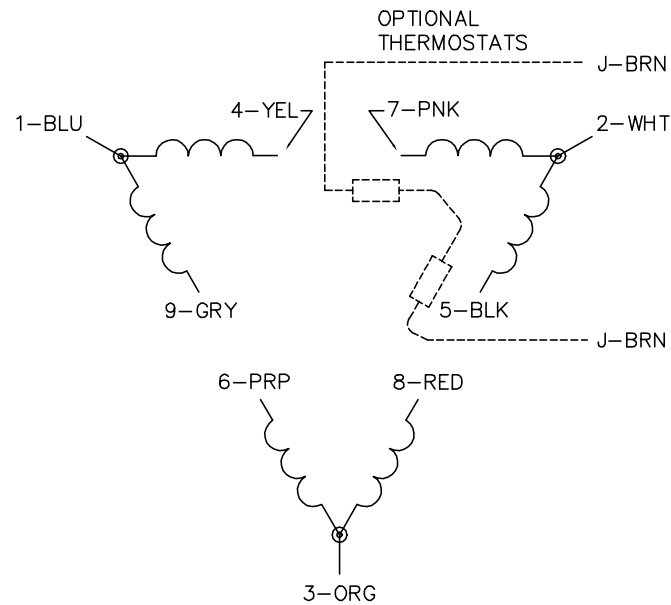








CD0180



LOW VOLTAGE  
(2D)



HIGH VOLTAGE  
(1D)



NOTES:

1. INTERCHANGE ANY TWO LINE LEADS TO REVERSE ROTATION.
2. OPTIONAL THERMOSTATS ARE PROVIDED WHEN SPECIFIED.
3. ACTUAL NUMBER OF INTERNAL PARALLEL CIRCUITS MAY BE A MULTIPLE OF THOSE SHOWN ABOVE.
4. LEAD COLORS ARE OPTIONAL. LEADS MUST ALWAYS BE NUMBERED AS SHOWN.

CD0180

REV. DESC: ADD CLASS CONN00000007		
REV. LTR: D	VERSION: 01	TDR: 000001099922
FILE: \AAA\00005\148	REVISED: 10: 25: 29 02/19/2019	BY: ENBRIRO
MTL: -	© □	

**BALDOR - RELIANCE®**

3PH, DV, 9 LEADS, DELTA CONNECTION

SH 1 of 1