

BALDOR • RELIANCE

Customer information packet

ZDPM28125-BV

125HP, 1800, 460V, FL2882, TEBC, F3

Specifications

Enclosure	TEBC
Frame	FL2882Z
Frame Material	Exposed Laminations
Frequency	60.00 Hz
Output @ Frequency	125.000 HP @ 60 HZ
Phase	3
Synchronous Speed @ Frequency	1800 RPM @ 60 HZ
Voltage @ Frequency	460.0 V @ 60 HZ
Agency Approvals	CCSA US
Auxillary Box	No Auxillary Box
Base Indicator	Rigid
Bearing Grease Type	Polyrex EM (-20F +300F)
Current @ Voltage	137.000 A @ 460.0 V
Duty Rating	CONT
Feedback Device	RESOLVER
Frame Prefix	FL
Heater Indicator	No Heater
High Voltage Full Load Amps	137.0 a
Insulation Class	H
IP Rating	NONE
Motor Standards	NEMA
Mounting Arrangement	F3
Overall Length	44.06 IN
Product Family	General Industrial
Pulley End Bearing Type	Ball
Pulley Face Code	Standard
Service Factor	1.00
Shaft Diameter	2.624 IN
Shaft Ground Indicator	Shaft Grounding
Shaft Rotation	Reversible
Speed	1800 rpm
Starting Method	Full Voltage

Part detail

Revision	B
Type	AC
Mech. spec.	
Base	
Status	PRD/A
Elec. spec.	PM4056A
Layout	617530-313
Eff. date	03-24-2022
CD Diagram	422927-001
Poles	04
Leads	
Proprietary	False
Created date	11-09-2021

Thermal Device - Bearing

None

Thermal Device - Winding

Normally Closed Thermostat

Nameplate

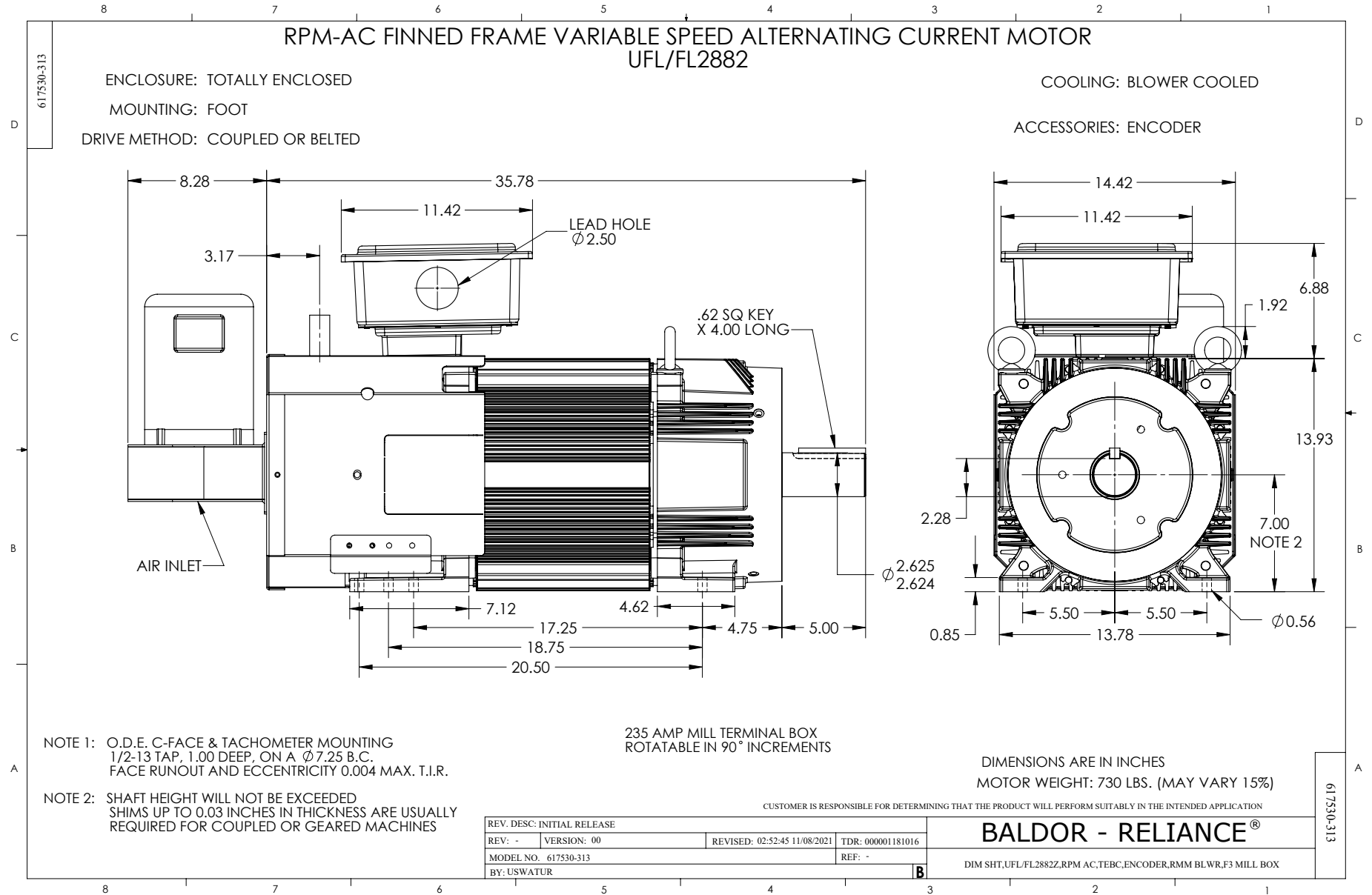
000613006MY

	DUTY	HP	RPM	AMPS	VOLTS	HZ	
	CONT	125	1800	137	460		60
	CONT	125	3000	137	460		100
CAT.NO.	ZDPM28125-BV		SPEC. NO.		F28-A000-0379		
SER.NO		FR	FL2882Z	INSUL	H		
PH.	3	MAX SAFE SPEED		5000	AMB.	40	MIN. AMB. -25
DESIGN NO.	PM4056A	TYPE			ENCL.	TEAO-BC	
S.F.	1.00		D.E. BRG.		75BC02J30X		
ENCL MOD			O.D.E. BRG.		55BC02J30X		
	IP44						

000692000VY

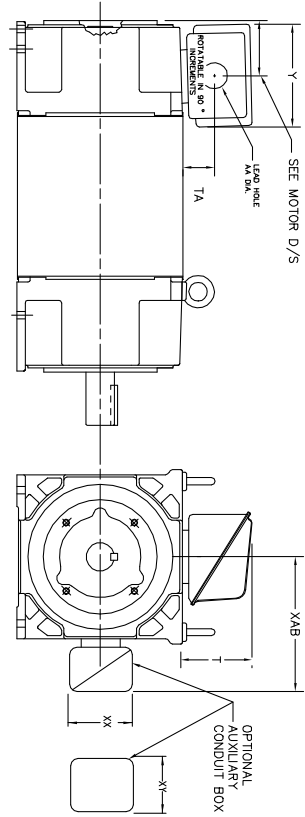
MEAS OPEN CIRCUIT VOLTAGE

IS VOLTS AT RPM.



INDUSTRIAL ALTERNATING CURRENT MOTORS
RPM AC

STEEL, CAST IRON, MILL AND TERMINAL BOARD CONDUIT BOX DIMENSIONS
NEMA FRAMES RL210 thru RL280 and IEC FRAMES RDL132 thru RDL180
NEMA FRAMES FL180 thru FL280 and IEC FRAMES FDL112 thru FDL180



FRAME	TYPE	TERMINAL STRIP	AMPS	C/BOX	Y	TA	T	AA
FL180	STEEL	N	40	706320003A	5.00	1.62	3.00	1.12
FL180	STEEL	N	75	706320003A	6.12	2.38	4.38	1.75/2.00
FL180	CAST IRON	N	208	706320007A	6.82	2.00	7.00	2.50/2.00
FL180	CAST IRON	Y/N	40	706320004A	5.75	2.38	4.38	1.50/1.75
FL180 & FDL11	MILL	Y	100	706310028A	7.75	2.30	4.40	PC29/PG16
FL210 & RL210	STEEL	N	61	0754520009	6.34	2.00	4.12	1.75
FL210 & RL210	STEEL	N	121	0754520009	7.38	2.38	4.75	1.75
FL210 & RL210	STEEL	N	306	706320016A	9.00	4.12	8.44	4.89
FL210 & RL210	CAST IRON	N	110	075460052B	7.25	2.50	5.25	1.5 TAP
FL210 & RL210	MILL	Y	100	706310225A	7.75	2.30	4.40	PC29/PG16
FL210 & RL210	MILL	Y	160	706310056A	9.00	3.06	5.40	PC36/PG16
FL210 & RL210	MILL	Y/N	235	706310056B	11.42	4.00	6.72	2.50
FL250 & RL250	STEEL	N	61	0754520009	6.34	2.00	4.12	1.75
FL250 & RL250	STEEL	N	121	0754520009	7.69	2.38	5.25	1.94
FL250 & RL250	STEEL	N	306	706320016A	9.00	4.12	8.44	4.89
FL250 & RL250	CAST IRON	N	110	075460052B	7.25	2.50	5.25	1.5 TAP
FL250 & RL250	CAST IRON	N	210	706320017A	10.50	4.88	9.00	4.0 TAP
FL250 & RL250	MILL	Y	100	706310225A	7.75	2.30	4.40	PC29/PG16
FL250 & RL250	MILL	Y	160	706310056A	9.00	3.06	5.40	PC36/PG16
FL250 & RL250	MILL	Y/N	235	706310056B	11.42	4.00	6.72	2.50
FL250 & RL250	MILL	Y	400	706310063B	14.39	7.43	12.15	BLANK
FL280 & RL280	STEEL	N	160	706310056B	9.00	3.06	5.40	PC36/PG16
FL280 & RL280	STEEL	N	306	706320016A	11.42	4.00	6.72	2.50
FL280 & RL280	STEEL	N	500	706320017A	14.62	7.56	12.70	5.00
FL280 & RL280	CAST IRON	N	140	706320012B	9.25	4.81	8.56	3.0 TAP
FL280 & RL280	CAST IRON	N	210	706320015A	10.50	4.88	9.00	4.0 TAP
FL280 & RL280	CAST IRON	N	510	706320014D	15.00	7.56	12.81	5.0 TAP
FL280 & RL280	MILL	Y	100	706310056A	7.75	2.30	4.40	PC29/PG16
FL280 & RL280	MILL	Y	160	706310056B	9.00	3.06	5.40	PC36/PG16
FL280 & RL280	MILL	Y/N	235	706310057A	11.42	4.00	6.72	2.50
FL280 & RL280	MILL	Y	400	706310063B	14.39	7.43	12.15	BLANK

FRAME SIZE	OPTIONAL AUXILIARY CONDUIT BOX DIMENSIONS (MAXIMUM)								
	XAB	XX	XY	PART NUMBER	FRAME SIZE	PART NUMBER			
FL180/FL180M/FL180L	7.38	4.25	4.25	602007-26-A	FL180/FL180M/FL180L	10.88	8.00	8.00	706310-3-B
FL210/FL210M/FL210L	8.44	4.25	4.25	602007-26-A	FL210/FL210M/FL210L	11.88	8.00	8.00	706310-3-B
FL250/FL250M/FL250L	9.12	4.25	4.25	602007-26-A	FL250/FL250M/FL250L	12.62	8.00	8.00	706310-3-B

(1) 7/8" PIPE TAP
(2) CUSTOMER TO PROVIDE HOLE PER CONDUIT.
(3) 2" DIA. SA OR 1" DIA. DN -4G

TERMINAL BOX CAN BE ROTATED FOR LEAD INLET AT TOP, SIDES OR BOTTOM.
TERMINAL BOX LOCATED ON OPPOSITE SIDE WHEN F-2, V-1, V-4, V-5, V-7,
OR C-1 MOUNTING IS SPECIFIED. BOX LOCATED ON TOP WHEN SPECIFIED.

CUSTOMER IS RESPONSIBLE FOR DETERMINING THAT BALDOR'S PRODUCT WILL PERFORM SUITABLY IN THE INTENDED APPLICATION.

REV. DESC: ADD 706310-637 & 639 BOX	VERSION: 06	TDR: 000001180260
REV. LTR: F	REVISED: 11: 08: 56 10/26/2021	BY: RCGRWM
FILE: \\RGG\00003\692		
MTL: -		

BALDOR - RELIANCE®

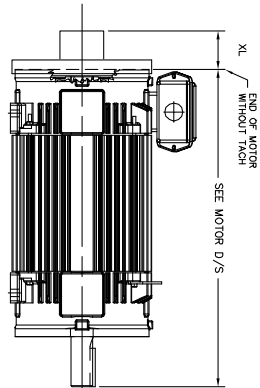
DIM SHT NEMA RL210-RL280 FL180-FL280 IEC RDL132-RDL180

RPM AC TACHOMETER DIMENSIONS
NEMA FRAMES FL180 thru FL440 and IEC FRAMES FDL112 thru FDL280
 DIMENSIONS ARE IN INCHES(mm)

DPSV, DPSV, TEPV, TESV, TENV & TEAO-PB
 IC06, IC17, IC37, IC410, & IC416-PB

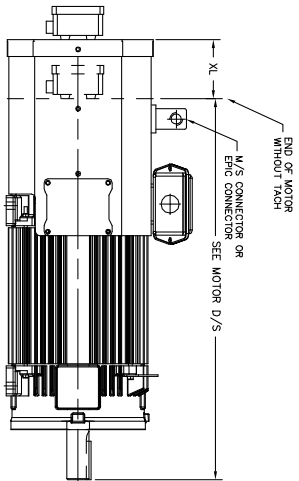
616779-055

TACH MODEL	XL Inches(mm)	LBS.
BEL DR DYNAPAR HS35	2.88 (74)	5
DYNAPAR H20	7.50 (191)MAX	10
NDRHSTAR HS35M	3.31 (84)	10
NDRHSTAR ST67	2.88 (74)	5
DYNAPAR HS6	10.56 (268)	40
AVTRON M3 DR M4	3.62 (92)	10
TAMAGAMA TSS013(X17)	6.00 (152)	10
NDRHSTAR ST56	2.88 (74)	5
NDRHSTAR ST85	2.00 (51)	5
BEL T89D	10.19 (259)	18
TAMAGAMA T32151	2.64 (67)	15
BEL T823	7.50 (191)	15
DYNAPAR H20	2.00 (50.8)	5
DYNAPAR H25	12.88 (327)	10
STEDMANN SRM25	7.25 (184.4)	10
HEIDENHAIN EDW425	3.00 (76.2)	10
AVTRON HS35M	2.5 (63.5)	5
HEIDENHAIN ERN480	4.19 (106.4)	5
DYNAPAR H425	5.00 (76.2)	5
DYNAPAR H425	7.00 (177.8)	10
DYNAPAR H42	3.62 (92.1)	5
AVTRON M25	2.54 (64.5)	9
AVTRON AV850	2.54 (64.5)	9
AVTRON AV56	4.50 (115)	15
HS308	3.30 (84)	5
HS325	3.30 (84)	2
NDRHSTAR R18	3.25 (83)	15
DYNAPAR H4625	5.88 (150)	10
AVTRON AV485	9.50 (241)	18
AVTRON AV32	1.93 (49)	7
DYNAPAR RH25	3.80 (97)	1.6
AVTRON AV95	2.40 (61.5)	3

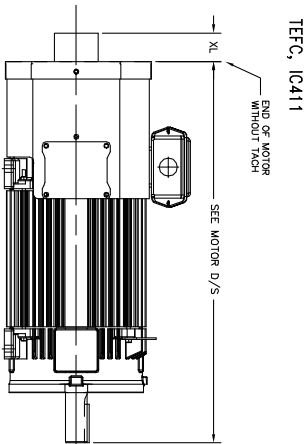


TEAO-BC, IC416-BC
EXCLUDES NEMA FRAMES FL320 THRU FL440
AND
IEC FRAMES FDL200 THRU FDL280

TACH MODEL	XL Inches(mm)	LBS.
BEL DR DYNAPAR HS35	4.50 (115)	10
DYNAPAR H20	4.50 (115)	15
AVTRON M3 DR M4	4.50 (115)	10
NDRHSTAR HS35M	4.50 (115)	15
NDRHSTAR ST56	4.50 (115)	10
NDRHSTAR ST67	4.50 (115)	10
NDRHSTAR ST85	4.50 (115)	5
TAMAGAMA TSS008 TSS013	4.50 (115)	10
DYNAPAR H20	4.50 (115)	15
STEDMANN SRM25	4.50 (115)	10
STEDMANN SRM50	4.50 (115)	3
HE20 & HE5E	4.50 (115)	15
AVTRON HS35M	4.50 (115)	10
AVTRON AV85	4.50 (115)	10
AVTRON M56	4.50 (115)	5
AVTRON AV67	4.50 (115)	10
HS308	4.50 (115)	5
TSS014	4.50 (115)	10
AVTRON HS45	4.50 (115)	15
DYNAPAR HST38M	4.50 (115)	15
AVTRON AV32	4.50 (115)	7
AVTRON AV950	4.50 (115)	9



TACH MODEL	XL Inches(mm)	LBS.
BEL HS35	2.88 (74)	7
NDRHSTAR HS35M	3.31 (84)	10
DYNAPAR H20	3.75 (95)	15
DYNAPAR HS35, HS398	2.88 (74)	7
H20(X17)	9.75 (248)	35
EDW425	7.90 (201)	35
AVTRON HS35M	4.19 (106)	2
STEDMAN SRM50	3.75 (95)	1
DYNAPAR H20	2.00 (51)	1
NDRHSTAR HS35	2.81 (71)	2
NDRHSTAR HS398	3.30 (84)	5
AVTRON AV92	1.93 (49)	.7



550-677919

CUSTOMER IS RESPONSIBLE FOR DETERMINING THAT BALDOR'S PRODUCT WILL PERFORM SUITABLY IN THE INTENDED APPLICATION.

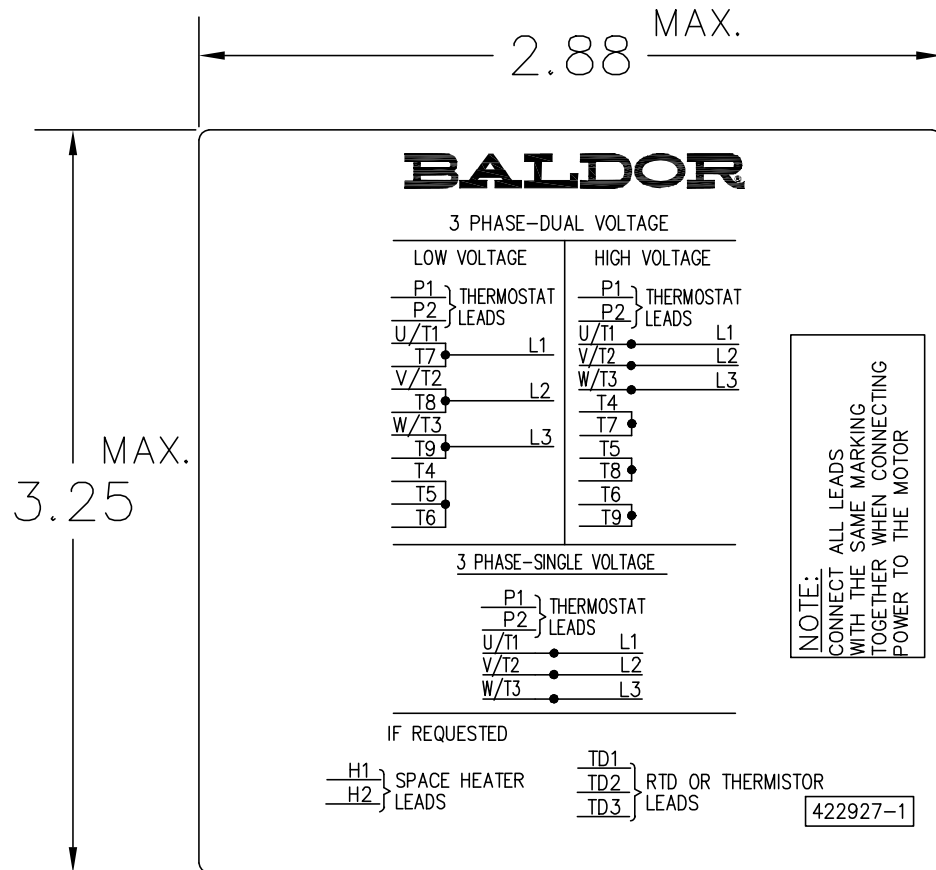
REV. DESC: ADD AV85	VERSION: 25	TDR: 00000111552
REV. LTR: AA	REVISED: 03:54:15 06/26/2019	BY: RGRWMM
FILE: \\RGG\00003\694		
MTL: -		

BALDOR - RELIANCE®

DIM SHT TACH DIM NEMA FL180 - FL440 IEC FDL112 - FDL280

SH 1 of 1

422927-001



NOTE:
DATA TO BE SIZED
SO THAT IT FITS INTO
MATERIAL DECAL
DIMENSIONS. MAKE
LETTERS & NUMBERS
AS LARGE AS POSSIBLE.

MATERIAL: CERAMATIC DGF-P4
PERMA GRIP ADHESIVE

ALL LETTERS, NUMBERS
AND LINES TO BE BLACK
ON WHITE BACKGROUND.

422927-001

REV. DESC: CHANGE BACKGROUND COLOR FROM GOLD TO WHITE		
REV. LTR: B	VERSION: 02	TDR: 00000788708
FILE: \RGG\00000\203	REVISED: 08:09:29 03/04/2013	
MTL: -	BY: RGGWT	

BALDOR

EXTERNAL CONNECTION LABEL

SH 1 of 1