

BALDOR • RELIANCE

Customer information packet

ZDPM18030C-BV

30HP, 1800RPM, 3PH, 60HZ, 1852C, TEBC, FOOT,

Specifications

Enclosure	TEAO
Frame	FL1852C
Frame Material	Aluminum
Frequency	60.00 Hz
Output @ Frequency	30.000 HP @ 60 HZ
Phase	3
Synchronous Speed @ Frequency	1800 RPM @ 60 HZ
Voltage @ Frequency	460.0 V @ 60 HZ
Auxillary Box	No Auxillary Box
Base Indicator	Rigid
Bearing Grease Type	Polyrex EM (-20F +300F)
Current @ Voltage	32.300 A @ 460.0 V
Duty Rating	CONT
Feedback Device	TACHOMETER
Frame Prefix	FL
Heater Indicator	No Heater
High Voltage Full Load Amps	32.3 a
Insulation Class	H
Motor Standards	NEMA
Mounting Arrangement	F3
Overall Length	28.05 IN
Product Family	General Industrial
Pulley End Bearing Type	Ball
Pulley Face Code	C-Face
Service Factor	1.00
Shaft Diameter	1.625 IN
Shaft Ground Indicator	No Shaft Grounding
Shaft Rotation	Reversible
Speed	1800 rpm
Thermal Device - Bearing	None
Thermal Device - Winding	Normally Closed Thermostat

Part detail

Revision	E
Type	AC
Mech. spec.	
Base	
Status	PRD/A
Elec. spec.	PM3756A
Layout	617235-315
Eff. date	10-24-2019
CD Diagram	422927-001
Poles	04
Leads	
Proprietary	False
Created date	04-09-2015

Nameplate

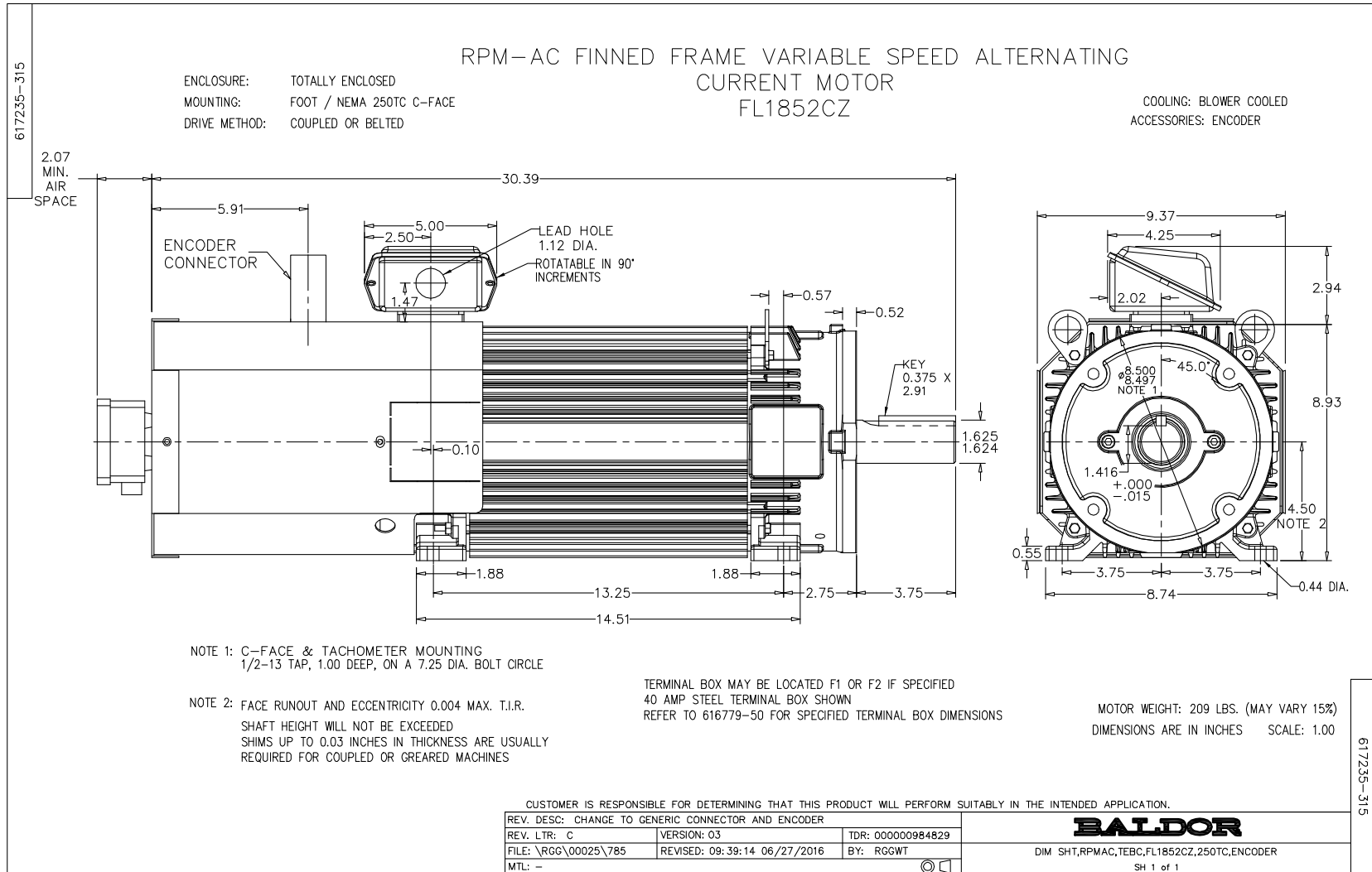
000613006NS

	DUTY	HP	RPM	AMPS	VOLTS	HZ	
	CONT	30	1800	32.3	460	60	
	CONT	30	3000	30.6	460	100	
CAT.NO.	ZDPM18030C-BV		SPEC. NO.	P18M0505			
SER.NO		FR	FL 1852C	INSUL	H		
PH.	3	MAX SAFE SPEED	7200	AMB.	40	MIN. AMB.	-25
DESIGN NO.	PM3756A	TYPE		ENCL.	TEAO-BC		
S.F.	1.0	D.E. BRG.	45BC02JPP30A				
ENCL MOD		O.D.E. BRG.	35BC02JPP30A				

000692000VY

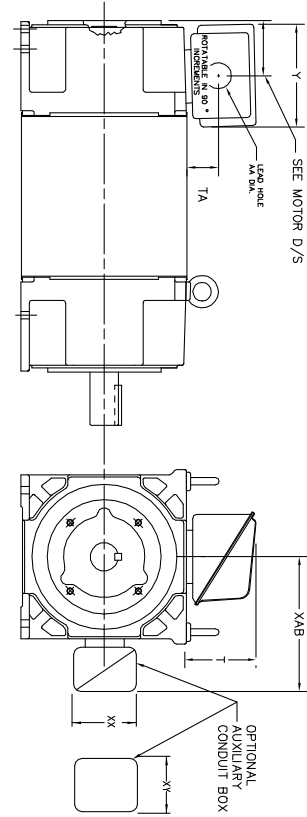
MEAS OPEN CIRCUIT VOLTAGE

IS VOLTS AT RPM.



INDUSTRIAL ALTERNATING CURRENT MOTORS
RPM AC

STEEL, CAST IRON, MILL AND TERMINAL BOARD CONDUIT BOX DIMENSIONS
NEMA FRAMES RL210 thru RL280 and IEC FRAMES RDL132 thru RDL180
NEMA FRAMES FL180 thru FL280 and IEC FRAMES FDL112 thru FDL180



FRAME	TYPE	TERMINAL STRIP	AMPS	C/BOX	Y	TA	T	AA
FL180	STEEL	N	40	706320003A	5.00	1.62	3.00	1.12
FL180	STEEL	Y/N	75	706320003A	6.12	2.38	4.38	1.75/2.00
FL180	CAST IRON	N	208	706320007A	6.82	2.00	7.00	2.50/2.00
FL180	CAST IRON	Y/N	400	706320007A	6.78	2.38	4.38	3.00/2.50
FL180 & FDL11	MILL	Y	100	706310028A	7.75	2.30	4.40	PC29/PG16

FL210 & RL210	STEEL	N	61	0754520009	6.34	2.00	4.12	1.75
FL210 & RL210	STEEL	N	121	0754520009	6.34	2.00	4.12	1.75
FL210 & RL210	STEEL	N	306	706320016A	9.00	4.12	8.42	4.89
FL210 & RL210	CAST IRON	N	110	075460062B	7.25	2.50	5.25	1.5 TAP
FL210 & RL210	MILL	Y	100	7063100229A	7.75	2.30	4.40	PC29/PG16
FL210 & RL210	MILL	Y	160	706310056A	9.00	3.06	5.40	PC36/PG16
FL210 & RL210	MILL	Y/N	235	706310056B	11.42	4.00	6.72	2.50

FL250 & RL250	STEEL	N	61	0754520009	6.34	2.00	4.12	1.75
FL250 & RL250	STEEL	N	121	0754520009	6.34	2.00	4.12	1.75
FL250 & RL250	STEEL	N	306	706320016A	9.00	4.12	8.42	4.89
FL250 & RL250	CAST IRON	N	110	075460062B	7.25	2.50	5.25	1.5 TAP
FL250 & RL250	CAST IRON	N	210	706320017A	10.50	4.88	9.00	4.0 TAP
FL250 & RL250	MILL	Y	100	7063100229A	7.75	2.30	4.40	PC29/PG16
FL250 & RL250	MILL	Y	160	706310056A	9.00	3.06	5.40	PC36/PG16
FL250 & RL250	MILL	Y/N	235	706310056B	11.42	4.00	6.72	2.50
FL250 & RL250	MILL	Y	400	706310063B	14.39	7.43	12.15	BLANK

FL280 & RL280	STEEL	N	160	706320029A	7.25	3.50	7.06	2.50
FL280 & RL280	STEEL	N	306	706320016A	9.00	4.12	8.42	4.89
FL280 & RL280	STEEL	N	500	702560010C	14.62	7.56	12.70	5.00
FL280 & RL280	CAST IRON	N	140	706320017B	9.25	4.81	8.56	3.0 TAP
FL280 & RL280	CAST IRON	N	210	706320015A	10.50	4.88	9.00	4.0 TAP
FL280 & RL280	CAST IRON	N	510	706320014D	15.00	7.56	12.81	5.0 TAP
FL280 & RL280	MILL	Y	100	706310056A	7.75	2.30	4.40	PC29/PG16
FL280 & RL280	MILL	Y	160	706310056B	9.00	3.06	5.40	PC36/PG16
FL280 & RL280	MILL	Y/N	235	706310037A	11.42	4.00	6.72	2.50
FL280 & RL280	MILL	Y	400	706310063B	14.39	7.43	12.15	BLANK

FRAME SIZE	OPTIONAL AUXILIARY CONDUIT BOX DIMENSIONS (MAXIMUM)								
	XAB	XX	XY	PART NUMBER	FRAME SIZE	PART NUMBER			
FL210/FL180/FL132	7.38	4.25	4.25	602007-26-A	FL210/FL180/FL132	10.88	8.00	8.00	706310-3-B
FL250/FL160/FL118	8.44	4.25	4.25	602007-26-A	FL250/FL160/FL118	11.88	8.00	8.00	706310-3-B
FL280/FL190/FL280/FL180	9.12	4.25	4.25	602007-26-A	FL280/FL190/FL280/FL180	12.62	8.00	8.00	706310-3-B

(1) 7/8" PIPE TAP
(2) 7/8" PIPE TAP
(3) CUSTOMER TO PROVIDE THE WIRE TYPE CONDUIT.
(4) 2" DIA. SA OR 1" DIA. DIA. W-6

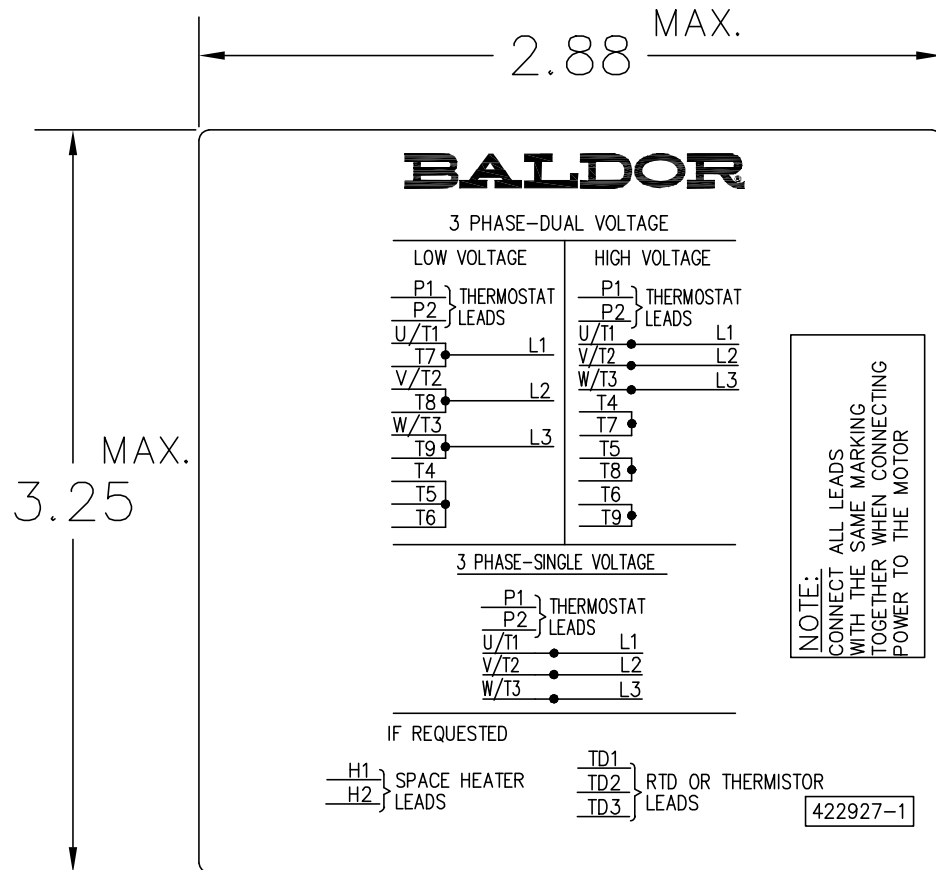
TERMINAL BOX CAN BE ROTATED FOR LEAD INLET AT TOP, SIDES OR BOTTOM.
TERMINAL BOX LOCATED ON OPPOSITE SIDE WHEN F-2, V-1, V-4, V-5, V-7.
OR C-1 MOUNTING IS SPECIFIED. BOX LOCATED ON TOP WHEN SPECIFIED.

050-677919

CUSTOMER IS RESPONSIBLE FOR DETERMINING THAT BALDOR'S PRODUCT WILL PERFORM SUITABLY IN THE INTENDED APPLICATION.

REV. DESC: ADD 706310-637 & 639 BOX	VERSION: 06	TDR: 000001180260	<p>BALDOR - RELIANCE®</p> <p>DIM SHT NEMA RL210-RL280 FL180-FL280 IEC RDL132-RDL180</p> <p>SH 1 of 1</p>
REV. LTR: F	REVISED: 11:08:56 10/26/2021	BY: RGRW	
FILE: \\RGG\00003\692			
MTL: -			

422927-001



NOTE:
DATA TO BE SIZED
SO THAT IT FITS INTO
MATERIAL DECAL
DIMENSIONS. MAKE
LETTERS & NUMBERS
AS LARGE AS POSSIBLE.

MATERIAL: CERAMATIC DGF-P4
PERMA GRIP ADHESIVE

ALL LETTERS, NUMBERS
AND LINES TO BE BLACK
ON WHITE BACKGROUND.

422927-001

REV. DESC: CHANGE BACKGROUND COLOR FROM GOLD TO WHITE		
REV. LTR: B	VERSION: 02	TDR: 00000788708
FILE: \RGG\00000\203	REVISED: 08:09:29 03/04/2013	
MTL: -	BY: RGGWT	

BALDOR

EXTERNAL CONNECTION LABEL

SH 1 of 1