

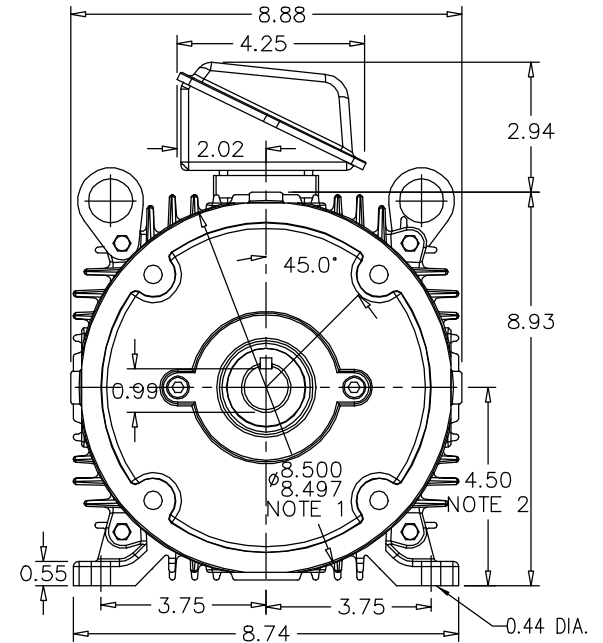
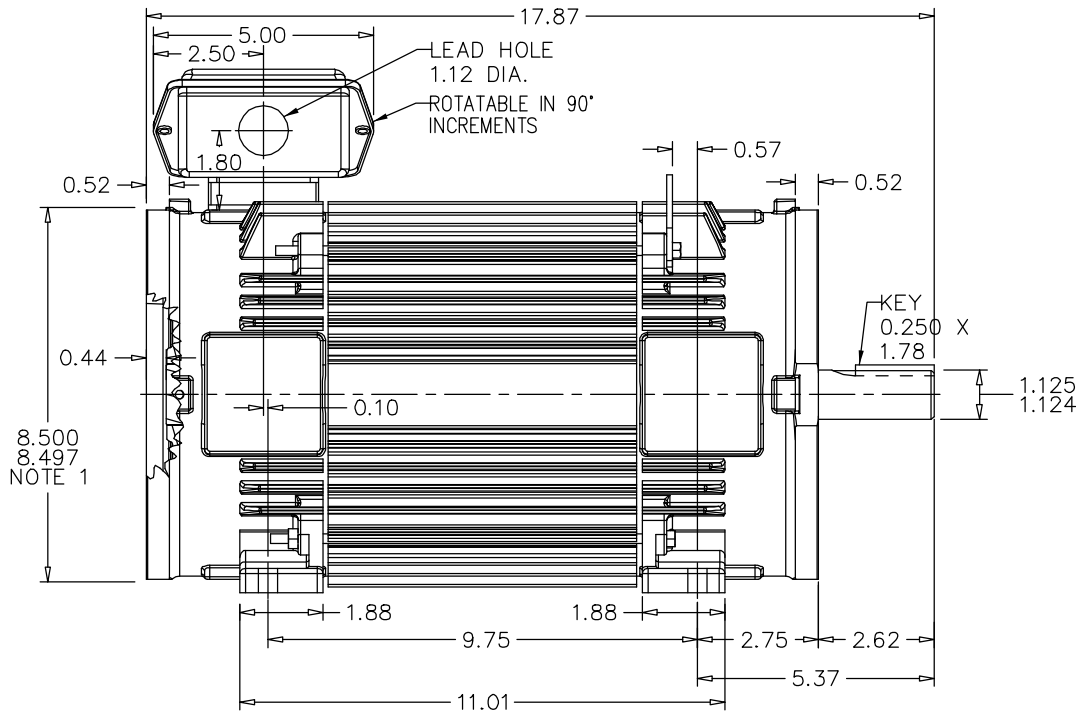
617228-003

# RPM-AC FINNED FRAME VARIABLE SPEED ALTERNATING CURRENT MOTOR FL1838C

ENCLOSURE: TOTALLY ENCLOSED  
MOUNTING: FOOT / NEMA 180TC C-FACE  
DRIVE METHOD: COUPLED OR BELTED

COOLING: NON-VENTILATED

ACCESSORIES: PROVISIONS FOR TACHOMETER MOUNTING ONLY WHEN SPECIFIED



NOTE 1: C-FACE & TACHOMETER MOUNTING  
1/2-13 TAP, 1.00 DEEP, ON A 7.25 DIA. BOLT CIRCLE  
FACE RUNOUT AND ECCENTRICITY 0.004 MAX. T.I.R.

NOTE 2: SHAFT HEIGHT WILL NOT BE EXCEEDED  
SHIMS UP TO 0.03 INCHES IN THICKNESS ARE USUALLY  
REQUIRED FOR COUPLED OR GREARED MACHINES

TERMINAL BOX MAY BE LOCATED F1 OR F2 IF SPECIFIED  
40 AMP STEEL TERMINAL BOX SHOWN  
REFER TO 616779-50 FOR SPECIFIED TERMINAL BOX DIMENSIONS  
REFER TO 616779-55 FOR SPECIFIED TACHOMETER DIMENSIONS

MOTOR WEIGHT: 143 LBS. (MAY VARY 15%)  
DIMENSIONS ARE IN INCHES SCALE: 1.00

CUSTOMER IS RESPONSIBLE FOR DETERMINING THAT BALDOR'S PRODUCT WILL PERFORM SUITABLY IN THE INTENDED APPLICATION.

REV. DESC: ADD DIMENSION FROM FOOT HOLE TO END OD SHAFT		
REV. LTR: A	VERSION: 01	TDR: 00000892384
FILE: \RGG\00003\495	REVISED: 12:55:38 02/12/2015	BY: RGGWT
MTL: -		

**BALDOR**

DIM SHT RPM AC TE NON VENT FL1838C FT / 180TC MTG PROV TACH

SH 1 of 1

617228-003