

BALDOR • RELIANCE

Customer information packet

ZDM3774T-5

48M 4P TEBC HOR 215TC T'STATS VECTOR

Class - None

Division - Not Applicable

Copyright © All product information within this document is subject to ABB Motors and Mechanical Inc. copyright © protection, unless otherwise noted.

5/12/2025 12:12:58 AM

Specifications

Enclosure	TEBC
Frame	215TC
Frame Material	Iron
Frequency	60.00 Hz
Haz Area Class and Group	None
Haz Area Division	Not Applicable
Motor Letter Type	Three Phase
Output @ Frequency	10.000 HP @ 60 HZ
Phase	3
Synchronous Speed @ Frequency	1800 RPM @ 60 HZ
Voltage @ Frequency	575.0 V @ 60 HZ
Agency Approvals	UR CSA
Ambient Temperature	40 °C
Auxillary Box	No Auxillary Box
Auxillary Box Lead Termination	None
Base Indicator	Rigid
Bearing Grease Type	Polyrex EM (-20F +300F)
Blower	BLOWER
Current @ Voltage	10.000 A @ 575.0 V
Design Code	A
Drip Cover	No Drip Cover
Duty Rating	CONT
Efficiency @ 100% Load	92.4 %
Electrically Isolated Bearing	Not Electrically Isolated
Feedback Device	ENCODER
Front Shaft Indicator	None
Heater Indicator	No Heater
High Voltage Full Load Amps	10.0 a
Insulation Class	H
Inverter Code	Inverter Duty
KVA Code	H

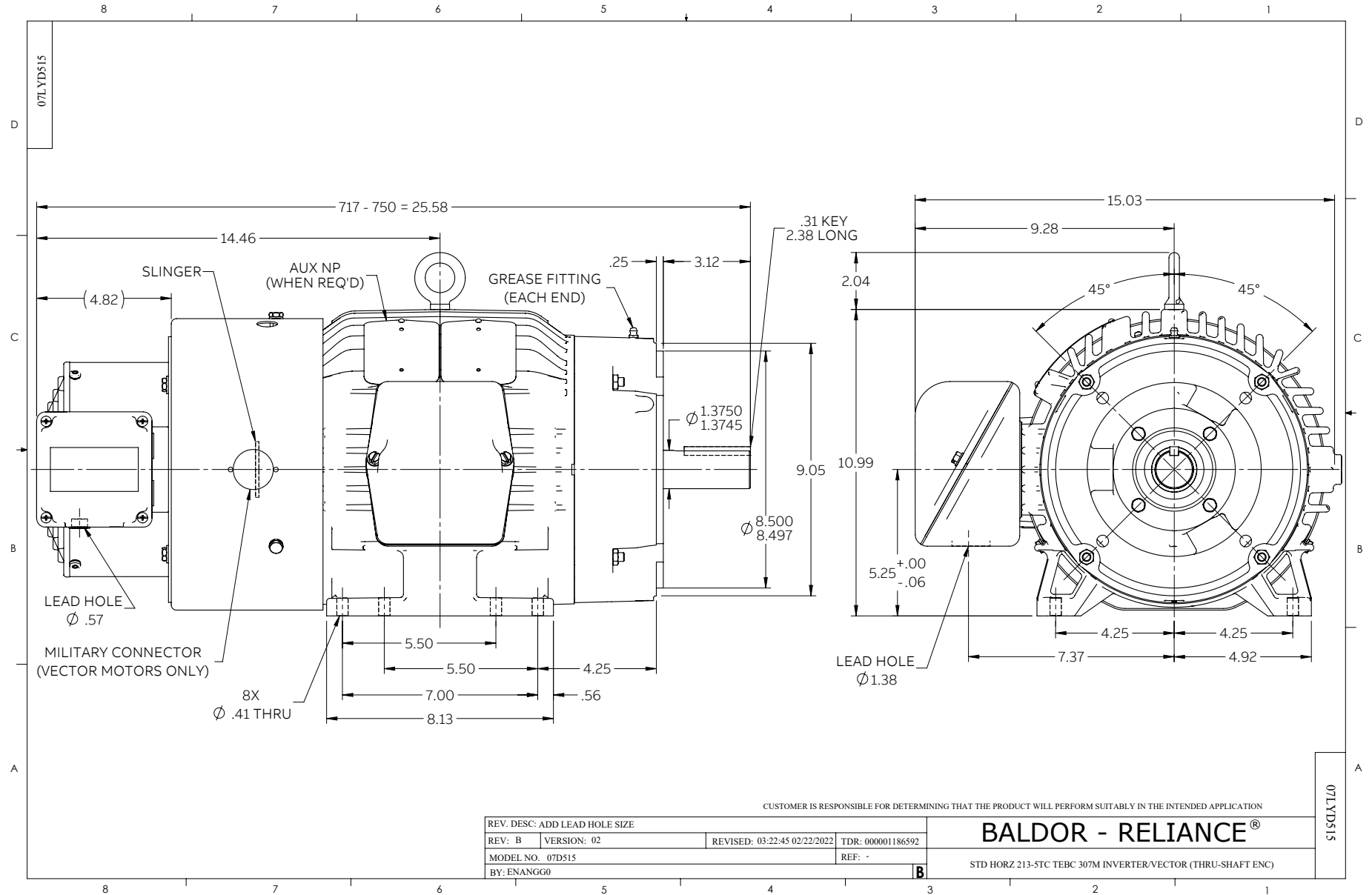
Part detail

Revision	D
Type	AC
Mech. spec.	07D515
Base	
Status	PRD/A
Elec. spec.	07WGX493
Layout	07LYD515
Eff. date	05-06-2024
CD Diagram	CD0006
Poles	04
Leads	3#14
Proprietary	False
Created date	03-12-2019

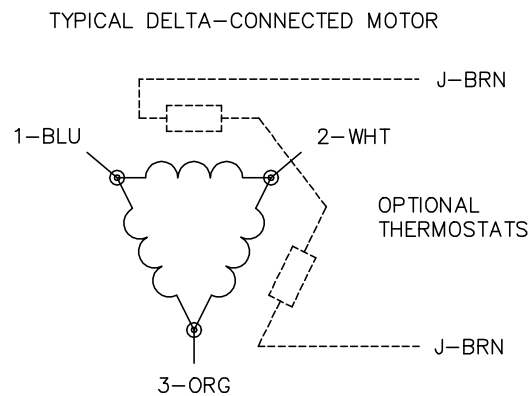
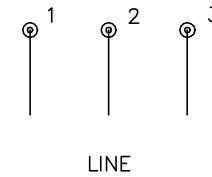
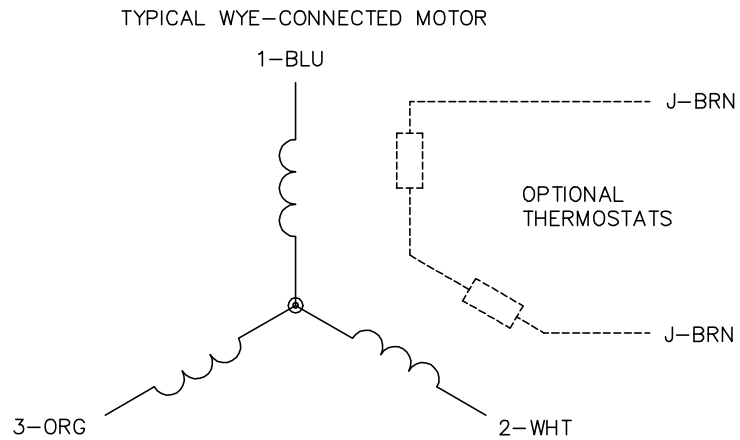
Lifting Lugs	Standard Lifting Lugs
Locked Bearing Indicator	Locked Bearing
Max Speed	4000 rpm
Motor Lead Quantity/Wire Size	3 @ 14 AWG
Motor Lead Termination	Flying Leads
Motor Standards	NEMA
Motor Type	0748M
Mounting Arrangement	F1
Number of Poles	4
Overall Length	25.58 IN
Power Factor	81
Product Family	General Purpose
Pulley End Bearing Type	Ball
Pulley Face Code	C-Face
Pulley Shaft Indicator	Standard
Rodent Screen	None
RoHS Status	ROHS COMPLIANT
Service Factor	1.00
Shaft Diameter	1.375 IN
Shaft Ground Indicator	No Shaft Grounding
Shaft Rotation	Reversible
Shaft Slinger Indicator	No Slinger
Speed	1760 rpm
Speed Code	Single Speed
Starting Method	Direct on line
Thermal Device - Bearing	None
Thermal Device - Winding	Normally Closed Thermostat
Vibration Sensor Indicator	No Vibration Sensor
Winding Thermal 1	None
Winding Thermal 2	None

Nameplate

NP1167L	
CAT NO	ZDM3774T-5
SPEC.	07D515X493Z1
FRAME	215TC HP 10 TE
VOLTS	575
MAG CUR	4.1 FLA 10
RPM	1760 RPM MAX 4000
HZ	60 PH 3 CLASS H
SER.F.	1.00 DES A SL HZ 1.3
NEMA-NOM-EFF	92.4 WK2 1.18
BLWR V	PH HZ A
RATING	40C AMB-CONT
DE BRG	6307 ODE BRG 6206
CC	SN



CD0006



NOTES:

1. THREE LEAD MOTOR MAY BE EITHER WYE CONNECTED OR DELTA CONNECTED.
2. INTERCHANGE ANY TWO LINE LEADS TO REVERSE ROTATION.
3. OPTIONAL THERMOSTATS ARE PROVIDED WHEN SPECIFIED.
4. ACTUAL NUMBER OF INTERNAL PARALLEL CIRCUITS MAY VARY.
5. LEAD COLORS ARE OPTIONAL. LEADS MUST BE NUMBERED AS SHOWN.

CD0006

REV. DESC: ADD CLASS CONN00000007		
REV. LTR: E	VERSION: 01	TDR: 000001099922
FILE: \AAA\00005\141	REVISED: 10:24:49 02/19/2019	BY: ENBRIRO
MTL: -	© □	

BALDOR - RELIANCE®

3PH, SV, 3 LEADS, WYE OR DELTA CONNECTED

SH 1 of 1