

BALDOR • RELIANCE

Customer information packet

ZDM3770T-5

38M 4P TEBC HOR 213TC T'STATS VECTOR

Class - None

Division - Not Applicable

Specifications

Enclosure	TEBC
Frame	213TC
Frame Material	Iron
Frequency	60.00 Hz
Haz Area Class and Group	None
Haz Area Division	Not Applicable
Motor Letter Type	Three Phase
Output @ Frequency	7.500 HP @ 60 HZ
Phase	3
Synchronous Speed @ Frequency	1800 RPM @ 60 HZ
Voltage @ Frequency	575.0 V @ 60 HZ
Agency Approvals	UR CSA
Ambient Temperature	40 °C
Auxillary Box	No Auxillary Box
Auxillary Box Lead Termination	None
Base Indicator	Rigid
Bearing Grease Type	Polyrex EM (-20F +300F)
Blower	BLOWER
Current @ Voltage	7.500 A @ 575.0 V
Design Code	A
Drip Cover	No Drip Cover
Duty Rating	CONT
Efficiency @ 100% Load	91.7 %
Electrically Isolated Bearing	Not Electrically Isolated
Feedback Device	ENCODER
Front Shaft Indicator	None
Heater Indicator	No Heater
High Voltage Full Load Amps	7.5 a
Insulation Class	H
Inverter Code	Inverter Duty
KVA Code	J

Part detail

Revision	D
Type	AC
Mech. spec.	07D515
Base	
Status	PRD/A
Elec. spec.	07WGX817
Layout	07LYD515
Eff. date	05-06-2024
CD Diagram	CD0006
Poles	04
Leads	3#14
Proprietary	False
Created date	03-12-2019

Lifting Lugs	Standard Lifting Lugs
Locked Bearing Indicator	Locked Bearing
Max Speed	4000 rpm
Motor Lead Quantity/Wire Size	3 @ 14 AWG
Motor Lead Termination	Flying Leads
Motor Standards	NEMA
Motor Type	0738M
Mounting Arrangement	F1
Number of Poles	4
Overall Length	25.58 IN
Power Factor	81
Product Family	General Purpose
Pulley End Bearing Type	Ball
Pulley Face Code	C-Face
Pulley Shaft Indicator	Standard
Rodent Screen	None
RoHS Status	ROHS COMPLIANT
Service Factor	1.00
Shaft Diameter	1.375 IN
Shaft Ground Indicator	No Shaft Grounding
Shaft Rotation	Reversible
Shaft Slinger Indicator	No Slinger
Speed	1770 rpm
Speed Code	Single Speed
Starting Method	Direct on line
Thermal Device - Bearing	None
Thermal Device - Winding	Normally Closed Thermostat
Vibration Sensor Indicator	No Vibration Sensor
Winding Thermal 1	None
Winding Thermal 2	None

Nameplate

NP1167L	
CAT NO	ZDM3770T-5
SPEC.	07D515X817Z1
FRAME	213TC HP 7.5 TE
VOLTS	575
MAG CUR	3.3 FLA 7.5
RPM	1770 RPM MAX 4000
HZ	60 PH 3 CLASS H
SER.F.	1.00 DES A SL HZ 1
NEMA-NOM-EFF	91.7 WK2 0.934
BLWR V	PH HZ A
RATING	40C AMB-CONT
DE BRG	6307 ODE BRG 6206
CC	SN

AC Induction Motor Performance Data

Record # 36497

Typical performance - not guaranteed values

Winding: 07WGX817-R006		Type: 0738M	Enclosure: TEBC
Nameplate Data		575 V, 60 Hz: Single Voltage Motor	
Rated Output (HP)	7.5	Full Load Torque	22.1 LB-FT
Volts	575	Start Configuration	direct on line
Full Load Amps	7.5	Breakdown Torque	73 LB-FT
R.P.M.	1770	Pull-up Torque	33.7 LB-FT
Hz	60 Phase	Locked-rotor Torque	44.4 LB-FT
NEMA Design Code	A KVA Code	Starting Current	58.7 A
Service Factor (S.F.)	1	No-load Current	3.66 A
NEMA Nom. Eff.	91.7 Power Factor	Line-line Res. @ 25°C	2.23 Ω
Rating - Duty	40C AMB-CONT	Temp. Rise @ Rated Load	42°C
		Locked-rotor Power Factor	37.9
		Rotor inertia	0.934 lb-ft ²

Load Characteristics 575 V, 60 Hz, 7.5 HP

% of Rated Load	25	50	75	100	125	150
Power Factor	40	62	73	79	82	84
Efficiency	86.9	91.4	92.2	91.7	90.9	89.7
Speed	1793	1786	1779	1771	1761	1751
Line amperes	4.07	4.98	6.23	7.7	9.4	11.2

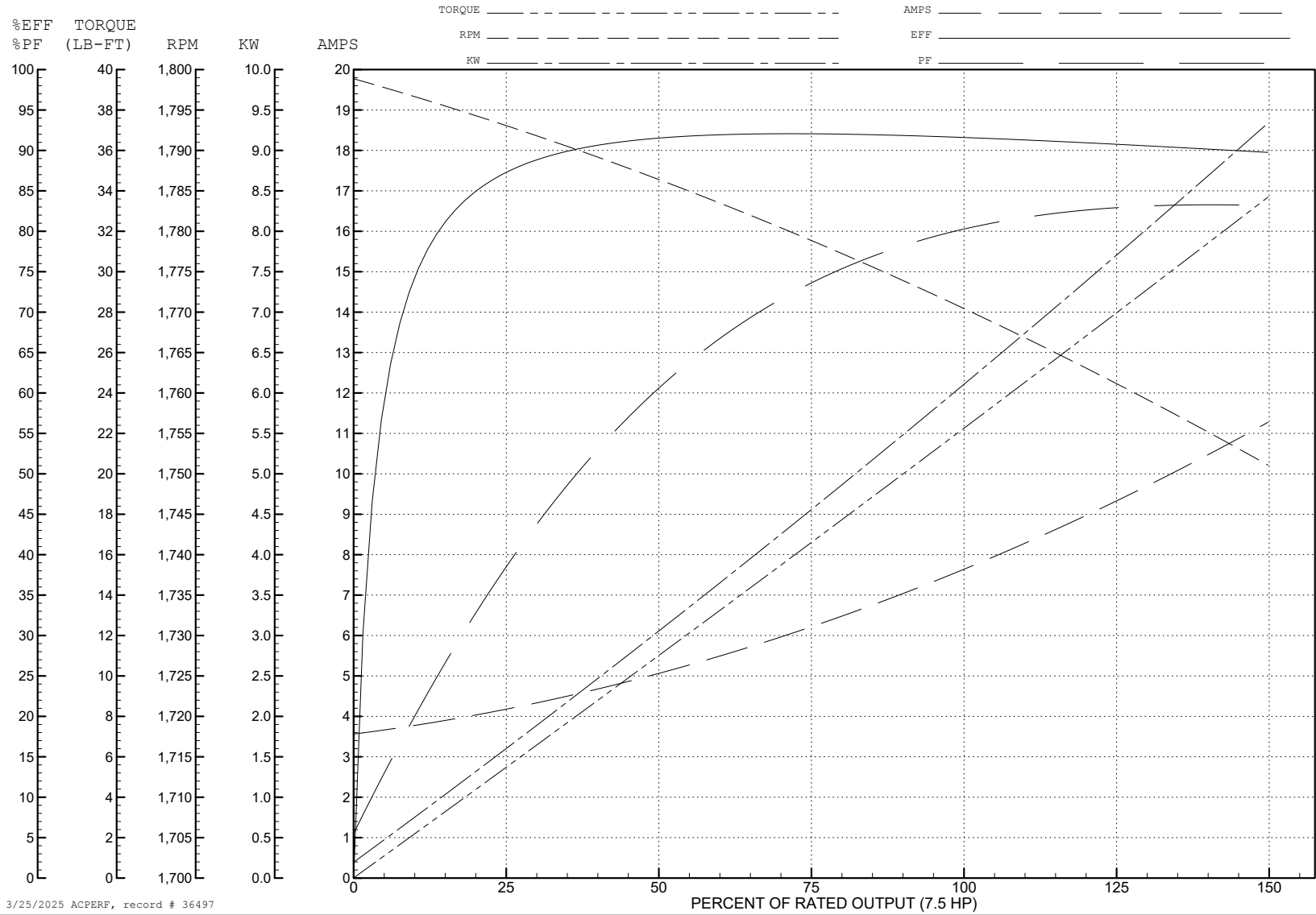
ABB Motors and Mechanical Inc.

WINDING # 07WGX817

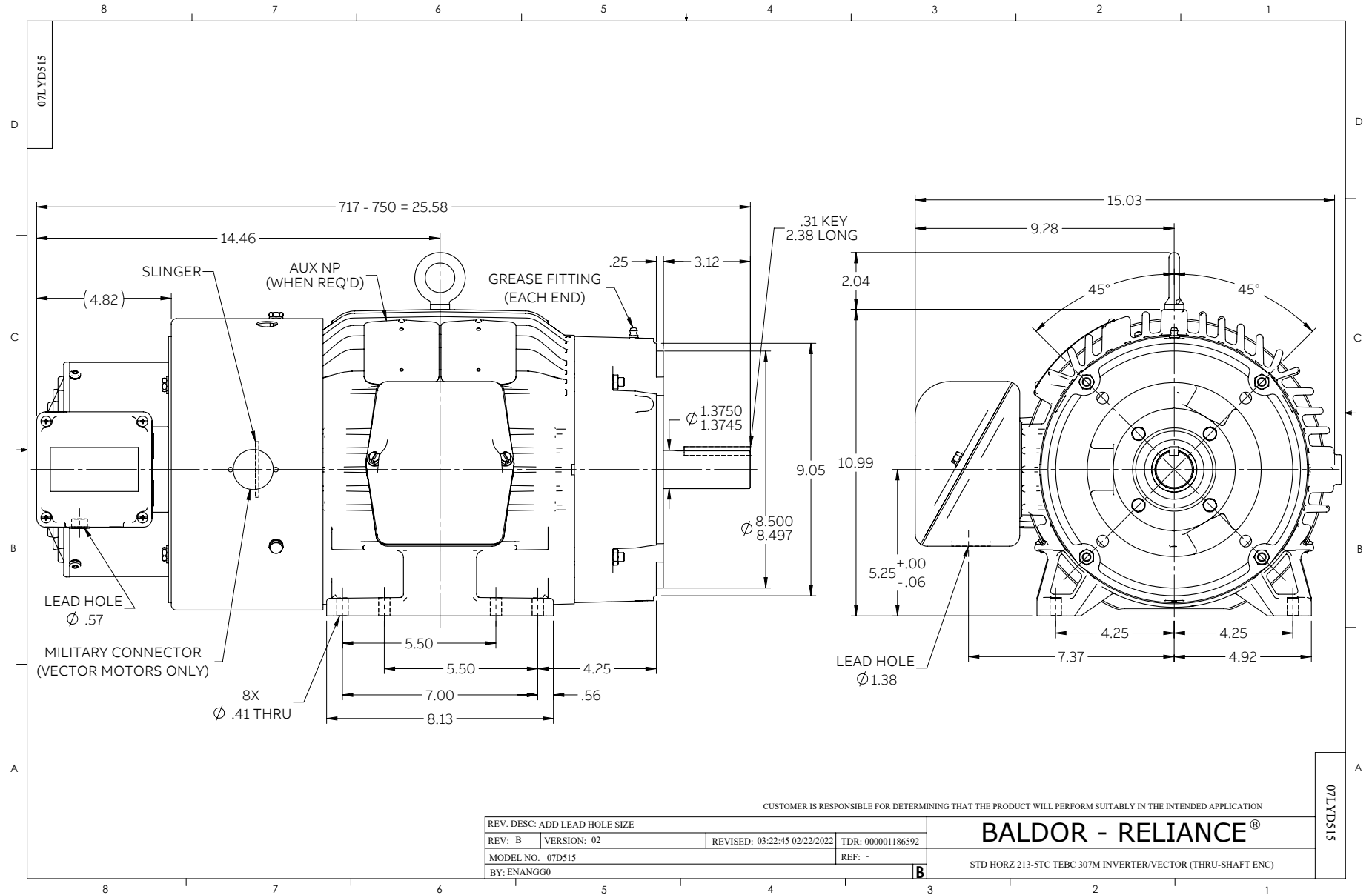
Typical performance - not guaranteed values.

7.5 HP 3 PH 60 HZ 1770 RPM 575 V 0738M

TORQUES (LB-FT): PO=73 PU=33.7 LR=44.4 LRA=58.7



3/25/2025 ACPERF, record # 36497



CD0006



NOTES:

1. THREE LEAD MOTOR MAY BE EITHER WYE CONNECTED OR DELTA CONNECTED.
2. INTERCHANGE ANY TWO LINE LEADS TO REVERSE ROTATION.
3. OPTIONAL THERMOSTATS ARE PROVIDED WHEN SPECIFIED.
4. ACTUAL NUMBER OF INTERNAL PARALLEL CIRCUITS MAY VARY.
5. LEAD COLORS ARE OPTIONAL. LEADS MUST BE NUMBERED AS SHOWN.

CD0006

REV. DESC: ADD CLASS CONN00000007		
REV. LTR: E	VERSION: 01	TDR: 000001099922
FILE: \AAA\00005\141	REVISED: 10:24:49 02/19/2019	BY: ENBRIRO
MTL: -	© □	

BALDOR - RELIANCE®

3PH, SV, 3 LEADS, WYE OR DELTA CONNECTED

SH 1 of 1