



Customer information packet

ZDM3661T-5

3HP, 1760RPM, 3PH, 60HZ, 182TC, 0628M, TEBC, F1

Class - None

Division - Not Applicable

Specifications

| | |
|--------------------------------|---------------------------|
| Enclosure | TEBC |
| Frame | 182TC |
| Frame Material | Iron |
| Frequency | 60.00 Hz |
| Haz Area Class and Group | None |
| Haz Area Division | Not Applicable |
| Motor Letter Type | Three Phase |
| Output @ Frequency | 3.000 HP @ 60 HZ |
| Phase | 3 |
| Synchronous Speed @ Frequency | 1800 RPM @ 60 HZ |
| Voltage @ Frequency | 575.0 V @ 60 HZ |
| Agency Approvals | UR CSA |
| Ambient Temperature | 40 °C |
| Auxiliary Box | NO AUXILLARY BOX |
| Auxiliary Box Lead Termination | None |
| Base Indicator | Rigid |
| Bearing Grease Type | Polyrex EM (-20F +300F) |
| Blower | 115V 1-Phase EXT |
| Current @ Voltage | 3.200 A @ 575.0 V |
| Design Code | B |
| Drip Cover | No Drip Cover |
| Duty Rating | CONT |
| Efficiency @ 100% Load | 89.5 % |
| Electrically Isolated Bearing | Not Electrically Isolated |
| Feedback Device | ENCODER |
| Front Face Code | Encoder/Feedback Device |
| Front Shaft Indicator | None |
| Heater Indicator | No Heater |
| High Voltage Full Load Amps | 3.2 a |
| Insulation Class | H |
| Inverter Code | Inverter Duty |

Part detail

| | |
|--------------|------------|
| Revision | AD |
| Type | AC |
| Mech. spec. | 06F552 |
| Base | |
| Status | PRD/A |
| Elec. spec. | 06WGW358 |
| Layout | 06LYF552 |
| Eff. date | 09-30-2025 |
| CD Diagram | CD0006 |
| Poles | 04 |
| Leads | 3#16 |
| Proprietary | False |
| Created date | 01-01-0001 |

| | |
|--------------------------------------|----------------------------|
| KVA Code | H |
| Lifting Lugs | Standard Lifting Lugs |
| Locked Bearing Indicator | Locked Bearing |
| Max Speed | 6000 rpm |
| Motor Lead Exit | Ko Box |
| Motor Lead Quantity/Wire Size | 3 @ 16 AWG |
| Motor Lead Termination | Flying Leads |
| Motor Standards | NEMA |
| Motor Type | 0628M |
| Mounting Arrangement | F1 |
| Number of Poles | 4 |
| Overall Length | 21.71 IN |
| Power Factor | 80 |
| Product Family | General Purpose |
| Pulley End Bearing Type | Ball |
| Pulley Face Code | C-Face |
| Pulley Shaft Indicator | Standard |
| Rodent Screen | None |
| Service Factor | 1.00 |
| Shaft Diameter | 1.125 IN |
| Shaft Extension Location | Pulley End |
| Shaft Ground Indicator | No Shaft Grounding |
| Shaft Rotation | Reversible |
| Shaft Slinger Indicator | No Slinger |
| Speed | 1760 rpm |
| Speed Code | Single Speed |
| Starting Method | Direct on line |
| Thermal Device - Bearing | None |
| Thermal Device - Winding | Normally Closed Thermostat |
| Vibration Sensor Indicator | No Vibration Sensor |
| Winding Thermal 1 | None |
| Winding Thermal 2 | None |

Nameplate

| NP4539L | | | | | | | | | |
|-----------------------|--------------|-------------------|------|--------------|-----|-------------|-----|--|--|
| CAT.NO. | ZDM3661T-5 | | | | | | | | |
| SPEC. | 06F552W358Z1 | | | | | | | | |
| FRAME | 182TC | H.P. | 3 TE | | | | | | |
| VOLTS | 575 | | | | | | | | |
| MAG. CUR. | 1.7 | F.L. AMPS | 3.2 | | | | | | |
| R.P.M. | 1760 | R.P.M. MAX | 6000 | | | | | | |
| HZ. | 60 | PH. | 3 | CLASS | H | | | | |
| SER.F. | 1.00 | DES. | B | SL HZ | 1.3 | | | | |
| NEMA NOM. EFF. | 89.5 | WK2 | 0.26 | | | | | | |
| BLWR V | 115 | PH | 1 | HZ | 60 | AMPS | .26 | | |
| RATING | 40C AMB-CONT | | | | | | | | |
| DE | 6206 | ODE | 6205 | | | | | | |
| CC | 010A | SN | | | | | | | |
| | 1000:1 CT/VT | | | | | | | | |

**AC Induction Motor Performance Data**

Record # 418

Typical performance - not guaranteed values

| | | |
|---------------------------|--------------------|------------------------|
| Winding: 06WG/W358 | Type: 0628M | Enclosure: TEFC |
|---------------------------|--------------------|------------------------|

| Nameplate Data | | | General Characteristics at 575 V, 60 Hz: Single Volt Motor | | |
|-------------------|--------------|-----------|---|------------|--|
| Rated Output (HP) | 3 | | Full Load Torque | 9 LB-FT | |
| Volts | 575 | | Start Configuration | DOL | |
| Full Load Amps | 3.2 | | Break Down Torque | 31 LB-FT | |
| R.P.M. | 1760 | | Pull-Up Torque | 16.5 LB-FT | |
| Hz | 60 | Phase | Locked-rotor Torque | 22 LB-FT | |
| NEMA Design Code | B | KV/A Code | Starting Current | 26 Amps | |
| Service Factor | 1.00 | | No-load Current | 1.8 Amps | |
| NEMA Nom. Eff. | 89.5 | P.F. | Line-line Res. @ 25°C. | 6.6 Ohms | |
| Rating - Duty | 40C AMB-CONT | | Temp. Rise @ Rated Load | 41°C | |
| S.F. Amps | | | Temp. Rise @ S.F. Load | | |

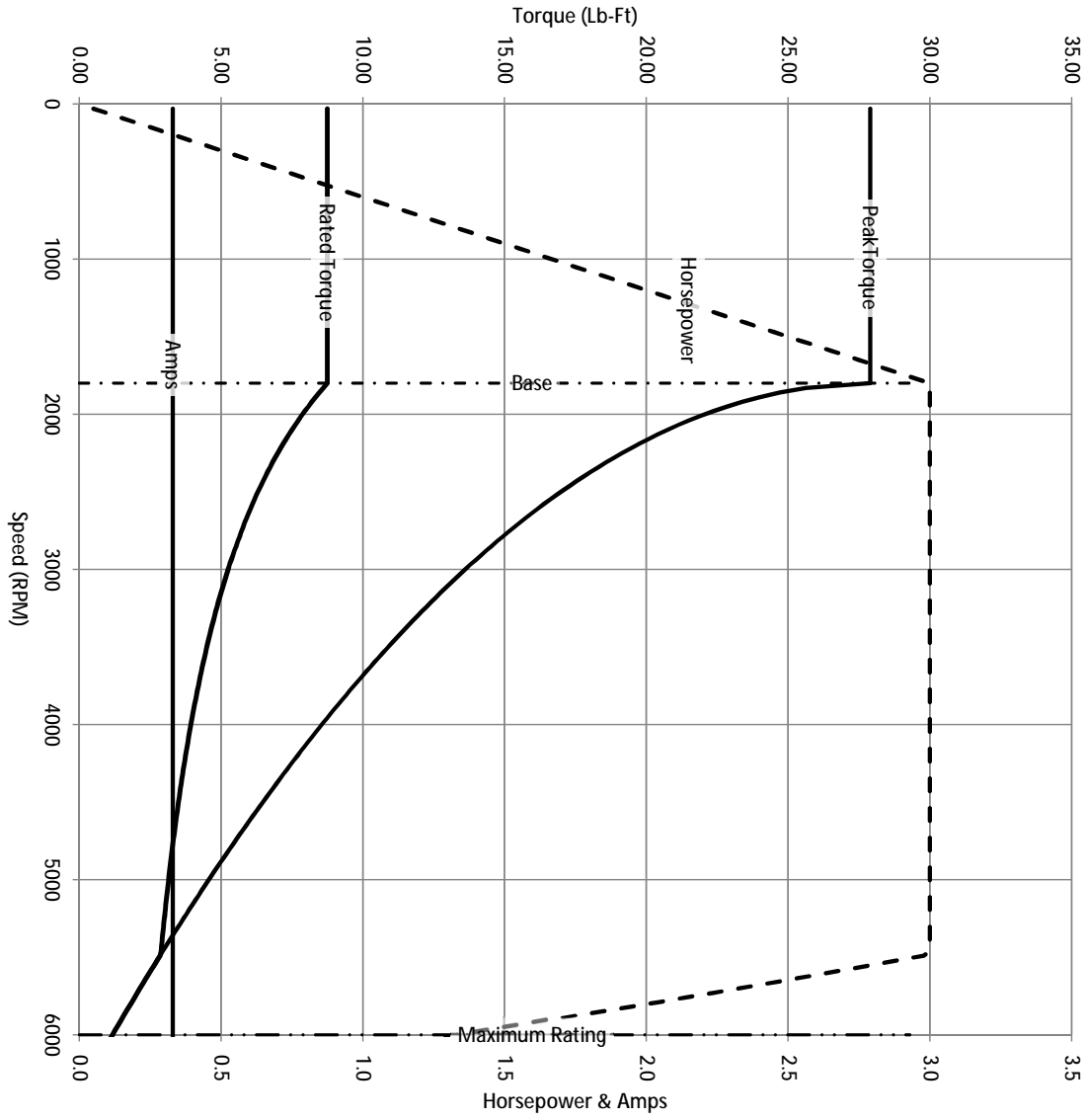
Load Characteristics at 575 Volts, 60 Hz, 3 HP

| % of Rated Load | 25 | 50 | 75 | 100 | 125 | 150 | S.F. |
|-----------------|------|------|------|------|------|------|------|
| Power Factor | 37 | 58 | 71 | 77 | 81 | 83 | |
| Efficiency | 84 | 89.1 | 90 | 89.7 | 88.7 | 87.3 | |
| Speed | 1788 | 1778 | 1767 | 1756 | 1743 | 1729 | |
| Line Amperes | 1.8 | 2.2 | 2.7 | 3.3 | 3.9 | 4.6 | |

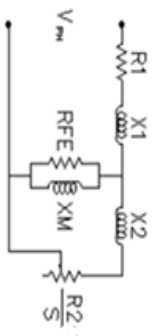
Baldor Electric Company Fort Smith, Arkansas

BALDOR • RELIANCE

| | | | | | | |
|------------|------------|---------------------------|------|---------------------------------------|-------|--|
| Catalog | ZDM3661T-5 | NP VOLTS | 575 | ENCLOSURE | TEBC | WYE CONN EQ CKT OHMS PER PHASE (BASE RATING, 200°) |
| FRAME | 182TC | NP AMPS | 3.2 | Base Volts | 575 | R1 3.230 X1 8.041 |
| HP | 3 HP | DUTY | Cont | Base AMPS | 3.3 | R2 2.100 X2 6.68 |
| BASE SPEED | 1800 | MAX SAFE RPM | 6000 | Slip Hz | 1.47 | XM 193.292 |
| PHASE/HZ | 3/60 | AMB ⁶ /C/INSUL | 40/H | Wk ² (lb-ft ²) | 0.263 | |



Remarks: Calculated Data

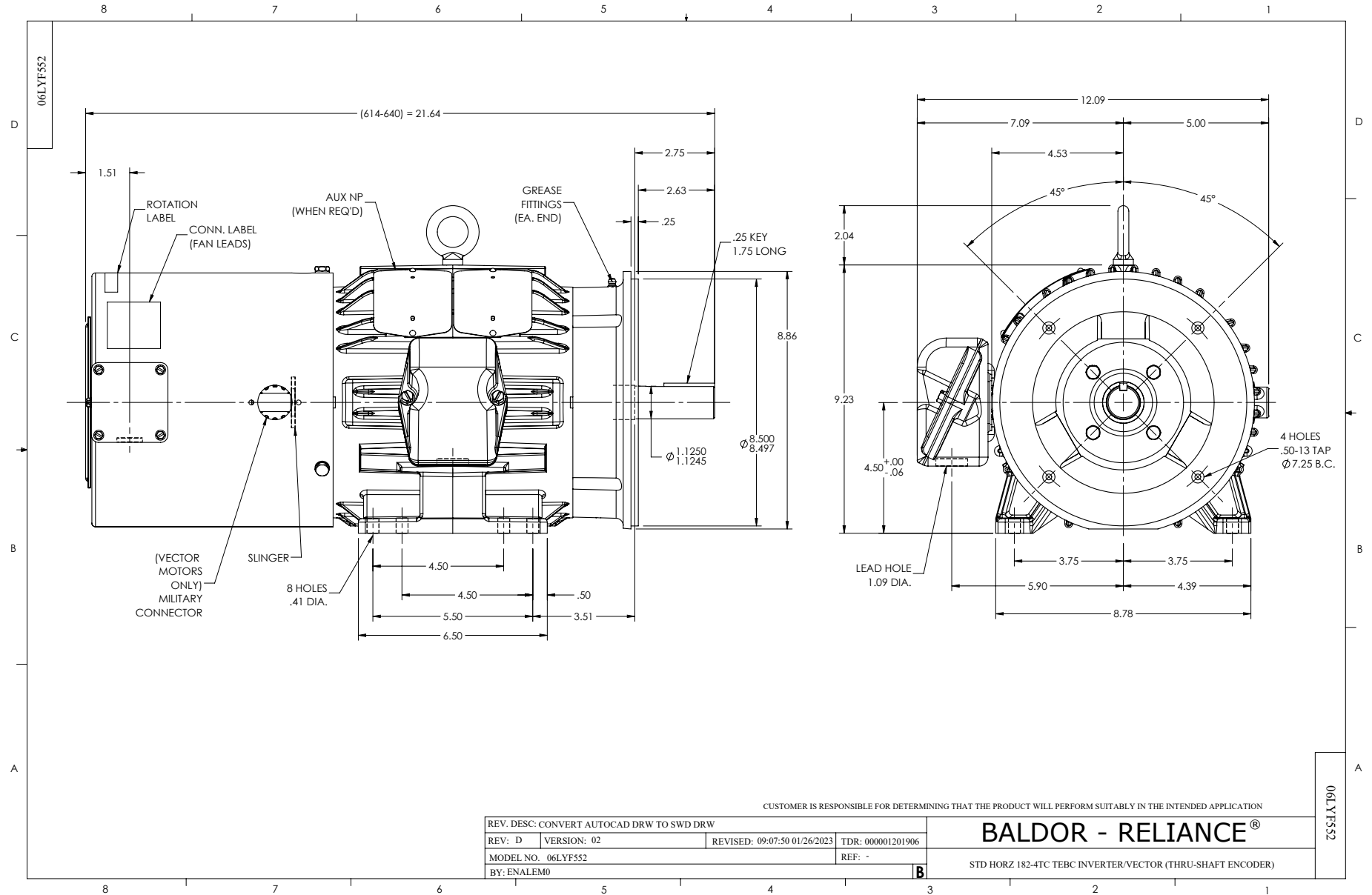


BALDOR
A MEMBER OF THE ABB GROUP

DR BY ENR
CK BY
APP BY ENR
DATE 2/26/2013

A-C MOTOR
PERFORMANCE CURVES

06F552W358Z1
ISSUE DATE 2/26/2013



CD0006



NOTES:

1. THREE LEAD MOTOR MAY BE EITHER WYE CONNECTED OR DELTA CONNECTED.
2. INTERCHANGE ANY TWO LINE LEADS TO REVERSE ROTATION.
3. OPTIONAL THERMOSTATS ARE PROVIDED WHEN SPECIFIED.
4. ACTUAL NUMBER OF INTERNAL PARALLEL CIRCUITS MAY VARY.
5. LEAD COLORS ARE OPTIONAL. LEADS MUST BE NUMBERED AS SHOWN.

CD0006

| | | |
|-----------------------------------|------------------------------|-------------------|
| REV. DESC: ADD CLASS CONN00000007 | | |
| REV. LTR: E | VERSION: 01 | TDR: 000001099922 |
| FILE: \AAA\00005\141 | REVISED: 10:24:49 02/19/2019 | BY: ENBRIRO |
| MTL: - | © □ | |

BALDOR - RELIANCE®

3PH, SV, 3 LEADS, WYE OR DELTA CONNECTED

SH 1 of 1