



Customer information packet

ZDM3587T-5

2HP, 1760RPM, 3PH, 60HZ, 143TC, 0534M, TEBC, F1

Class - None

Division - Not Applicable

Specifications

Enclosure	TEBC
Frame	145TC
Frame Material	Iron
Frequency	60.00 Hz
Haz Area Class and Group	None
Haz Area Division	Not Applicable
Motor Letter Type	Three Phase
Output @ Frequency	2.000 HP @ 60 HZ
Phase	3
Synchronous Speed @ Frequency	1800 RPM @ 60 HZ
Voltage @ Frequency	575.0 V @ 60 HZ
Agency Approvals	CSA UR
Ambient Temperature	40 °C
Auxillary Box	No Auxillary Box
Auxillary Box Lead Termination	None
Base Indicator	Rigid
Bearing Grease Type	Polyrex EM (-20F +300F)
Blower	BLOWER
Current @ Voltage	2.200 A @ 575.0 V
Design Code	B
Drip Cover	No Drip Cover
Duty Rating	CONT
Efficiency @ 100% Load	86.5 %
Electrically Isolated Bearing	Not Electrically Isolated
Feedback Device	ENCODER
Front Shaft Indicator	None
Heater Indicator	No Heater
High Voltage Full Load Amps	2.2 a
Insulation Class	H
Inverter Code	Inverter Ready
KVA Code	M

Part detail

Revision	C
Type	AC
Mech. spec.	05E535
Base	
Status	PRD/A
Elec. spec.	05WGX555
Layout	05LYE535
Eff. date	05-06-2024
CD Diagram	CD0006
Poles	04
Leads	3#18
Proprietary	False
Created date	03-11-2022

Lifting Lugs	Standard Lifting Lugs
Locked Bearing Indicator	Locked Bearing
Max Speed	6000 rpm
Motor Lead Quantity/Wire Size	3 @ 18 AWG
Motor Lead Termination	Flying Leads
Motor Standards	NEMA
Motor Type	0534M
Mounting Arrangement	F1
Number of Poles	4
Overall Length	19.15 IN
Power Factor	79
Product Family	General Purpose
Pulley End Bearing Type	Ball
Pulley Face Code	C-Face
Pulley Shaft Indicator	Standard
Rodent Screen	None
Service Factor	1.00
Shaft Diameter	0.875 IN
Shaft Ground Indicator	No Shaft Grounding
Shaft Rotation	Reversible
Shaft Slinger Indicator	Shaft Slinger
Speed	1760 rpm
Speed Code	Single Speed
Starting Method	Direct on line
Thermal Device - Bearing	None
Thermal Device - Winding	Normally Closed Thermostat
Vibration Sensor Indicator	No Vibration Sensor
Winding Thermal 1	None
Winding Thermal 2	None

Nameplate

NP1167L									
CAT NO	ZDM3587T-5								
SPEC.	05E535X555G1								
FRAME	145TC	HP	2 TE						
VOLTS	575								
MAG CUR	1.27	FLA	2.2						
RPM	1760	RPM MAX	6000						
HZ	60	PH	3	CLASS	H				
SER.F.	1.00	DES	B	SL HZ	1.33				
NEMA-NOM-EFF	86.5	WK2	0.245						
BLWR V	115	PH	1	HZ	60	A	0.5		
RATING	40C AMB-CONT								
DE BRG	6205	ODE BRG	6203						
CC	010A	SN							

AC Induction Motor Performance Data

Record # 82073

Typical performance - not guaranteed values

Winding: 05WGX555-R002		Type: 0534M	Enclosure: TEBC	
Nameplate Data			575 V, 60 Hz: Single Voltage Motor	
Rated Output (HP)	2	Full Load Torque	5.99 LB-FT	
Volts	575	Start Configuration	direct on line	
Full Load Amps	2.2	Breakdown Torque	25.71 LB-FT	
R.P.M.	1760	Pull-up Torque	15.03 LB-FT	
Hz	60 Phase	3	Locked-rotor Torque	18.22 LB-FT
NEMA Design Code	B KVA Code	M	Starting Current	21.07 A
Service Factor (S.F.)	1	No-load Current	1.27 A	
NEMA Nom. Eff.	86.5 Power Factor	79	Line-line Res. @ 25°C	12.8 Ω
Rating - Duty	40C AMB-CONT		Temp. Rise @ Rated Load	56°C
			Locked-rotor Power Factor	55.3
			Rotor inertia	0.245 lb-ft ²

Load Characteristics 575 V, 60 Hz, 2 HP

% of Rated Load	25	50	75	100	125	150
Power Factor	36	58	71	79	83	86
Efficiency	79.2	86.2	87.4	86.9	85.6	83.8
Speed	1789	1780	1771	1760	1748	1735
Line amperes	1.32	1.52	1.82	2.2	2.64	3.12

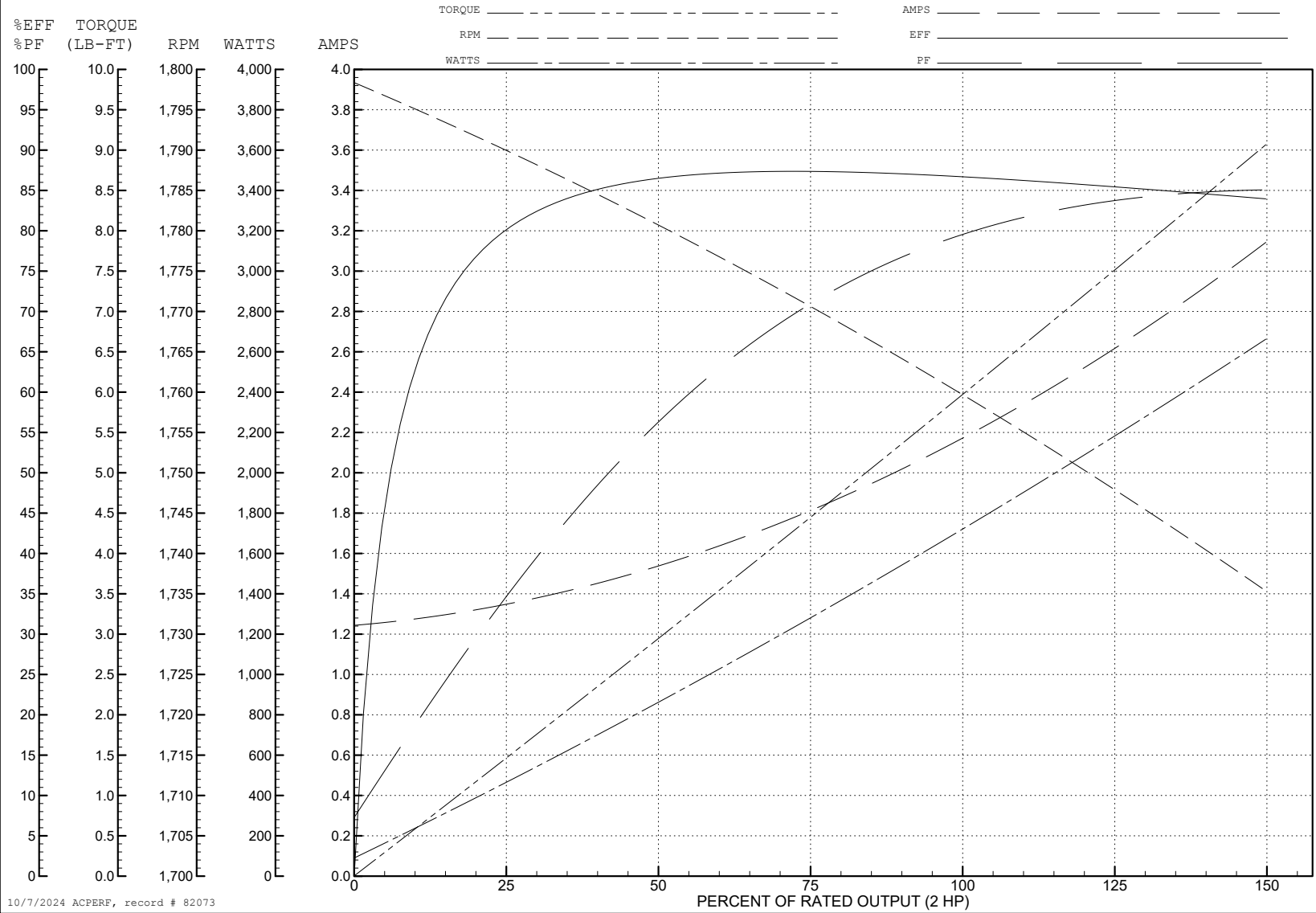
ABB Motors and Mechanical Inc.

WINDING # 05WGX555

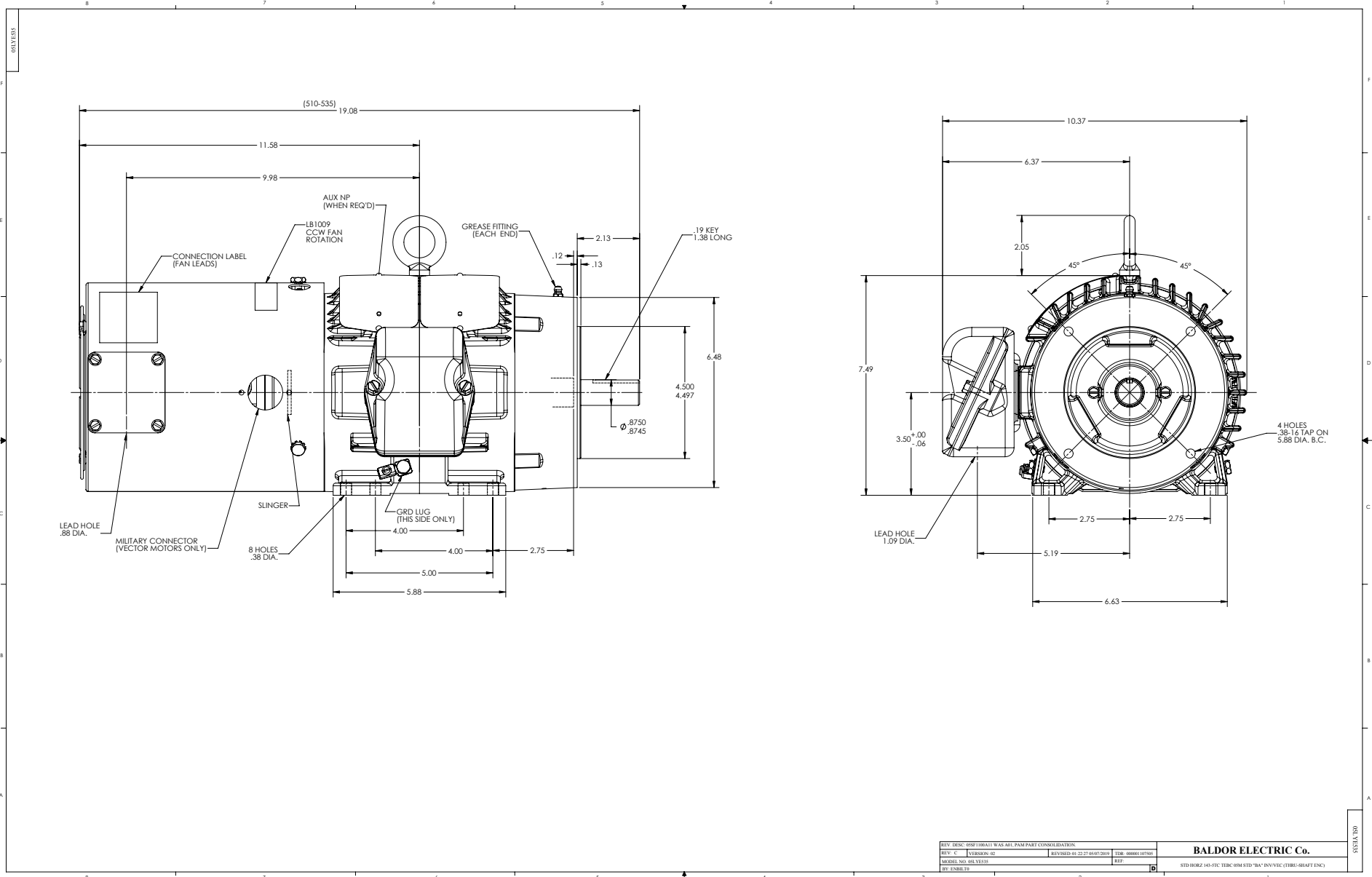
Typical performance - not guaranteed values.

2 HP 3 PH 60 HZ 1760 RPM 575 V 0534M

TORQUES (LB-FT): PO=25.71 PU=15.03 LR=18.22 LRA=21.07



10/7/2024 ACPERF, record # 82073



REV. DESC: 05E535 (05E535) WAS NOT PARAPART CONSULTATION			BALDOR ELECTRIC Co.	
REV. C	INTERSON, INC.	REVISED: 01/22/27 05/07/2019	FIG: 00000107502	
MODEL NO. 05E535		REF:	STD HORZ 143-TC TEBC 05M STD "8A" 8N/5C (TDRU-SHAFT ENC)	
BY: ENB119				

CD0006



NOTES:

1. THREE LEAD MOTOR MAY BE EITHER WYE CONNECTED OR DELTA CONNECTED.
2. INTERCHANGE ANY TWO LINE LEADS TO REVERSE ROTATION.
3. OPTIONAL THERMOSTATS ARE PROVIDED WHEN SPECIFIED.
4. ACTUAL NUMBER OF INTERNAL PARALLEL CIRCUITS MAY VARY.
5. LEAD COLORS ARE OPTIONAL. LEADS MUST BE NUMBERED AS SHOWN.

CD0006

REV. DESC: ADD CLASS CONN00000007		
REV. LTR: E	VERSION: 01	TDR: 000001099922
FILE: \AAA\00005\141	REVISED: 10:24:49 02/19/2019	BY: ENBRIRO
MTL: -		© □

BALDOR - RELIANCE®

3PH, SV, 3 LEADS, WYE OR DELTA CONNECTED

SH 1 of 1