

**BALDOR® • RELIANCE™**

---

# Customer information packet

## ZDBRPM25754

75HP, 1750, 460V, FL2586, TEBC, F3

## Specifications

Enclosure	TEBC
Frame	FL2586Z
Frame Material	Exposed Laminations
Frequency	60.00 Hz
Output @ Frequency	75.000 HP @ 60 HZ
Phase	3
Synchronous Speed @ Frequency	1800 RPM @ 60 HZ
Voltage @ Frequency	460.0 V @ 60 HZ
Agency Approvals	CCSA US
Auxillary Box	No Auxillary Box
Base Indicator	Rigid
Bearing Grease Type	Polyrex EM (-20F +300F)
Current @ Voltage	95.000 A @ 460.0 V
Duty Rating	CONT
Feedback Device	ENCODER
Frame Prefix	FL
Heater Indicator	No Heater
High Voltage Full Load Amps	95.0 a
Insulation Class	H
IP Rating	NONE
Motor Standards	NEMA
Mounting Arrangement	F3
Overall Length	40.33 IN
Product Family	General Industrial
Pulley End Bearing Type	Ball
Pulley Face Code	Standard
Service Factor	1.00
Shaft Diameter	2.124 IN
Shaft Ground Indicator	Shaft Grounding
Shaft Rotation	Reversible
Speed	1775 rpm
Starting Method	Full Voltage

## Part detail

Revision	A
Type	AC
Mech. spec.	
Base	
Status	PRD/A
Elec. spec.	L3272A
Layout	617581-410
Eff. date	01-19-2022
CD Diagram	422927-001
Poles	04
Leads	
Proprietary	False
Created date	11-09-2021

**Thermal Device - Bearing**

None

**Thermal Device - Winding**

Normally Closed Thermostat

---

**Nameplate**

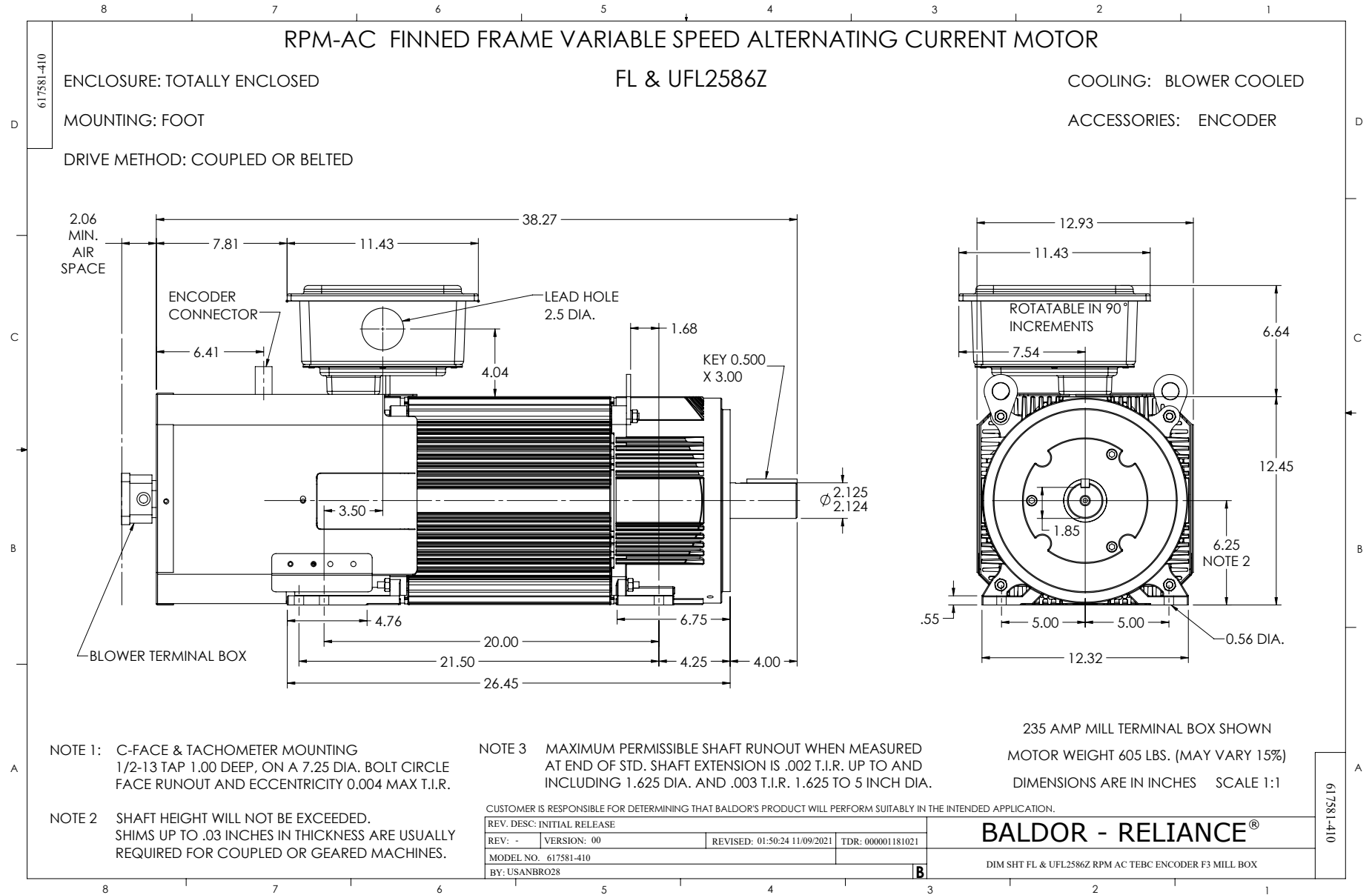
000613006MY

	DUTY	HP	RPM	AMPS	VOLTS	HZ		
	CONT	75	1775	95	460		60	
	CONT	75	3545	88	460		120	
<b>CAT.NO.</b>	ZDBRPM25754		<b>SPEC. NO.</b>		F25-A000-0411			
<b>SER.NO</b>			<b>FR</b>	FL2586Z	<b>INSUL</b>	H		
<b>PH.</b>	3	<b>MAX SAFE SPEED</b>		5000	<b>AMB.</b>	40	<b>MIN. AMB.</b>	-25
<b>DESIGN NO.</b>	L3272A		<b>TYPE</b>		<b>ENCL.</b>	TEAO-BC		
<b>S.F.</b>	1.00		<b>D.E. BRG.</b>		65BC03JPP30A			
<b>ENCL MOD</b>			<b>O.D.E. BRG.</b>		50BC03JPP30A			
	IP44							





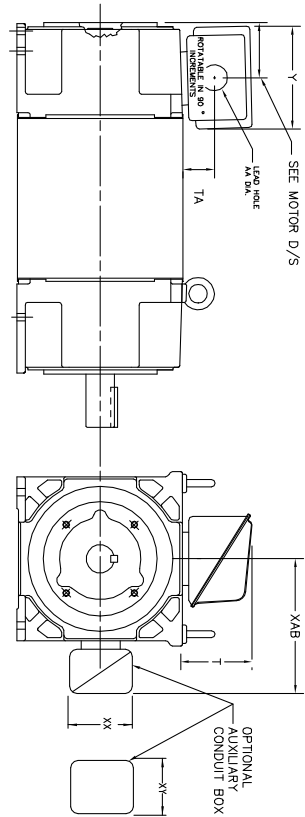






### INDUSTRIAL ALTERNATING CURRENT MOTORS RPM AC

STEEL, CAST IRON, MILL AND TERMINAL BOARD CONDUIT BOX DIMENSIONS  
NEMA FRAMES RL210 thru RL280 and IEC FRAMES RDL132 thru RDL180  
NEMA FRAMES FL180 thru FL280 and IEC FRAMES FDL112 thru FDL180



FRAME	TYPE	TERMINAL STRIP	AMPS	C/BOX	Y	TA	T	AA
FL180	STEEL	N	40	706320003A	5.00	1.62	3.00	1.12
FL180	STEEL	N	75	706320003A	6.12	2.38	4.38	1.75/2.00
FL180	CAST IRON	N	208	706320007A	6.82	2.00	7.00	2.50/3.00
FL180 & FDL11	CAST IRON	Y/N	40	706320004B	5.75	2.38	4.38	1.50/1.75
FL180 & FDL11	MILL	Y	100	706310028A	7.75	2.30	4.40	PC29/PG16
FL210 & RL210	STEEL	N	61	0754520009	6.34	2.00	4.12	1.75
FL210 & RL210	STEEL	N	121	0754520009	7.69	2.38	5.25	1.94
FL210 & RL210	STEEL	N	336	706320016A	9.00	4.12	8.42	4.89
FL210 & RL210	CAST IRON	N	110	075460052B	7.25	2.50	5.25	1.5 TAP
FL210 & RL210	MILL	Y	100	706310225A	7.75	2.30	4.40	PC29/PG16
FL210 & RL210	MILL	Y	160	706310056A	9.00	3.06	5.40	PC36/PG16
FL210 & RL210	MILL	Y/N	235	706310056B	11.42	4.00	6.72	2.50
FL250 & RL250	STEEL	N	61	0754520009	6.34	2.00	4.12	1.75
FL250 & RL250	STEEL	N	121	0754520009	7.69	2.38	5.25	1.94
FL250 & RL250	CAST IRON	N	110	075460052B	7.25	2.50	5.25	1.5 TAP
FL250 & RL250	CAST IRON	N	210	706320016A	10.50	4.88	9.00	4.0 TAP
FL250 & RL250	MILL	Y	100	706310225A	7.75	2.30	4.40	PC29/PG16
FL250 & RL250	MILL	Y	160	706310056B	9.00	3.06	5.40	PC36/PG16
FL250 & RL250	MILL	Y/N	235	706310056B	11.42	4.00	6.72	2.50
FL250 & RL250	MILL	Y	400	706310063B	14.39	7.43	12.15	BLANK

FRAME	TYPE	TERMINAL STRIP	AMPS	C/BOX	Y	TA	T	AA
FL280 & RL280	STEEL	N	160	706320029A	7.25	3.50	7.06	2.50
FL280 & RL280	STEEL	N	306	706320016A	9.00	4.12	8.42	4.89
FL280 & RL280	STEEL	N	500	702656001C	14.62	7.56	12.70	5.00
FL280 & RL280	CAST IRON	N	140	706320012B	9.25	4.81	8.56	3.0 TAP
FL280 & RL280	CAST IRON	N	210	706320015A	10.50	4.88	9.00	4.0 TAP
FL280 & RL280	CAST IRON	N	510	706320014D	15.00	7.56	12.81	5.0 TAP
FL280 & RL280	MILL	Y	100	706310056A	7.75	2.30	4.40	PC29/PG16
FL280 & RL280	MILL	Y	160	706310056B	9.00	3.06	5.40	PC36/PG16
FL280 & RL280	MILL	Y/N	235	706310037A	11.42	4.00	6.72	2.50
FL280 & RL280	MILL	Y	400	706310063B	14.39	7.43	12.15	BLANK

FRAME SIZE	OPTIONAL AUXILIARY CONDUIT BOX DIMENSIONS (MAXIMUM)					
	XAB	XX	XY	PART NUMBER	FRAME SIZE	PART NUMBER
FL210/FL180/FL280/FL180	7.38	4.25	4.25	602007-26-A	FL210/FL180/FL280/FL180	10.88
FL250/FL180/FL280/FL180	8.44	4.25	4.25	602007-26-A	FL250/FL180/FL280/FL180	11.88
FL280/FL180/FL280/FL180	9.12	4.25	4.25	602007-26-A	FL280/FL180/FL280/FL180	12.62
	XAB	XX	XY	PART NUMBER	FRAME SIZE	PART NUMBER

- (1) 7/8" PIPE TAP
- (2) CUSTOMER TO PROVIDE THE WIRE TYPE CONDUIT.
- (3) DIM SA OR 1" DIM SA W/2"

TERMINAL BOX CAN BE ROTATED FOR LEAD INLET AT TOP, SIDES OR BOTTOM.  
TERMINAL BOX LOCATED ON OPPOSITE SIDE WHEN F-2, V-1, V-4, V-5, V-7,  
OR C-1 MOUNTING IS SPECIFIED. BOX LOCATED ON TOP WHEN SPECIFIED.

050-677919

CUSTOMER IS RESPONSIBLE FOR DETERMINING THAT BALDOR'S PRODUCT WILL PERFORM SUITABLY IN THE INTENDED APPLICATION.

REV. DESC: ADD 706310-637 & 639 BOX	VERSION: 06	TDR: 000001180260
REV. LTR: F	REVISED: 11: 08: 56 10/26/2021	BY: RCGRWM
FILE: \\RGG\00003\692		
MTL: -		

### BALDOR - RELIANCE®

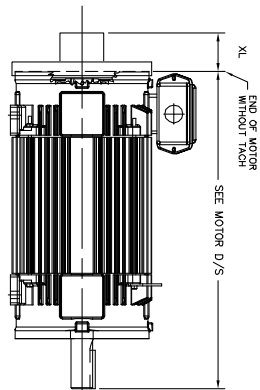
DIM SHT NEMA RL210-RL280 FL180-FL280 IEC RDL132-RDL180

**RPM AC TACHOMETER DIMENSIONS**  
**NEMA FRAMES FL180 thru FL440 and IEC FRAMES FDL112 thru FDL280**  
DIMENSIONS ARE IN INCHES(mm)

**DPV, DPSV, TEPV, TESV, TENV & TEAO-PB**  
**IC06, IC17, IC37, IC410, & IC416-PB**

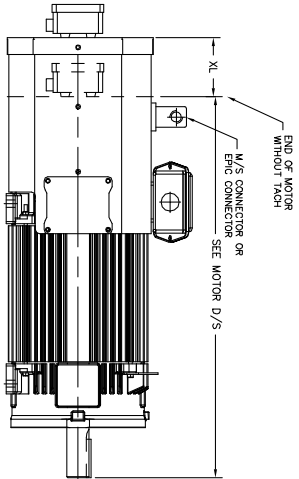
616779-055

TACH MODEL	XL Inches(mm)	LBS.
BEL DR DYNAPAR HS35	2.88 (74)	5
DYNAPAR H20	7.50 (191)MAX	10
NDRHSTAR HS35M	3.31 (84)	10
NDRHSTAR ST67	2.88 (74)	5
DYNAPAR HS6	10.56 (268)	40
AVTRON M3 DR M4	3.62 (92)	10
TAMAGAMA TSS013(X17)	6.00 (152)	10
NDRHSTAR ST56	2.88 (74)	5
NDRHSTAR ST85	2.00 (51)	5
BEL T89D	10.19 (259)	15
TAMAGAMA TSS2151	2.64 (67)	15
BEL T823	7.50 (191)	15
DYNAPAR H20	2.00 (50.8)	5
DYNAPAR H25	12.88 (327)	10
STEWANN SRM25	7.25 (184.4)	10
HEIDENHAIN EDW425	3.00 (76.2)	10
AVTRON HS35M	2.5 (63.5)	5
HEIDENHAIN ERN480	4.19 (106.4)	5
DYNAPAR H425	5.00 (76.2)	5
DYNAPAR H425	7.00 (177.8)	10
DYNAPAR H42	3.62 (92.1)	5
AVTRON M25	2.54 (64.5)	9
AVTRON AV850	2.54 (64.5)	9
AVTRON AV56	4.50 (115)	15
HS308	3.30 (84)	5
HS325	3.30 (84)	2
NDRHSTAR R18	3.25 (83)	15
DYNAPAR H4625	5.88 (150)	10
AVTRON AV485	9.50 (241)	18
AVTRON AV32	1.93 (49)	7
DYNAPAR RH25	3.80 (97)	1.6
AVTRON AV95	2.40 (61.5)	3

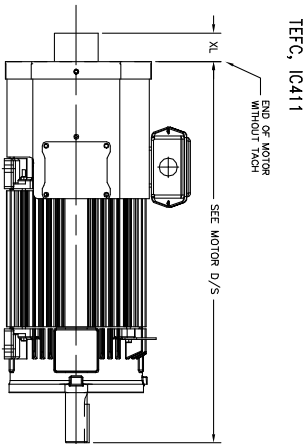


**TEAO-BC, IC416-BC**  
**EXCLUDES NEMA FRAMES FL320 THRU FL440**  
**AND**  
**IEC FRAMES FDL200 THRU FDL280**

TACH MODEL	XL Inches(mm)	LBS.
BEL DR DYNAPAR HS35	4.50 (115)	10
DYNAPAR H20	4.50 (115)	15
AVTRON M3 DR M4	4.50 (115)	10
NDRHSTAR HS35M	4.50 (115)	15
NDRHSTAR ST56	4.50 (115)	10
NDRHSTAR ST67	4.50 (115)	10
NDRHSTAR ST85	4.50 (115)	5
TAMAGAMA TSS008 TSS013	4.50 (115)	10
DYNAPAR H20	4.50 (115)	15
STEWANN SRM25	4.50 (115)	10
STEWANN SRM50	4.50 (115)	3
HE20 & HE36	4.50 (115)	15
AVTRON HS35M	4.50 (115)	10
AVTRON AV85	4.50 (115)	10
AVTRON M56	4.50 (115)	5
AVTRON AV67	4.50 (115)	10
HS308	4.50 (115)	5
TSS014	4.50 (115)	10
AVTRON HS45	4.50 (115)	15
DYNAPAR HST38M	4.50 (115)	15
AVTRON AV32	4.50 (115)	7
AVTRON AV950	4.50 (115)	9



TACH MODEL	XL Inches(mm)	LBS.
BEL HS35	2.88 (74)	7
NDRHSTAR HS35M	3.31 (84)	10
DYNAPAR H20	3.75 (95)	15
DYNAPAR HS35 HS398	2.88 (74)	7
H20(X17)	9.75 (248)	35
EDW45	7.90 (201)	35
AVTRON HS35M	4.19 (106)	2
STEWANN SRM50	3.75 (95)	1
DYNAPAR H20	2.00 (51)	1
NDRHSTAR HS35	2.81 (71)	2
NDRHSTAR HS398	3.30 (84)	5
AVTRON AV92	1.93 (49)	.7



550-677919

CUSTOMER IS RESPONSIBLE FOR DETERMINING THAT BALDOR'S PRODUCT WILL PERFORM SUITABLY IN THE INTENDED APPLICATION.

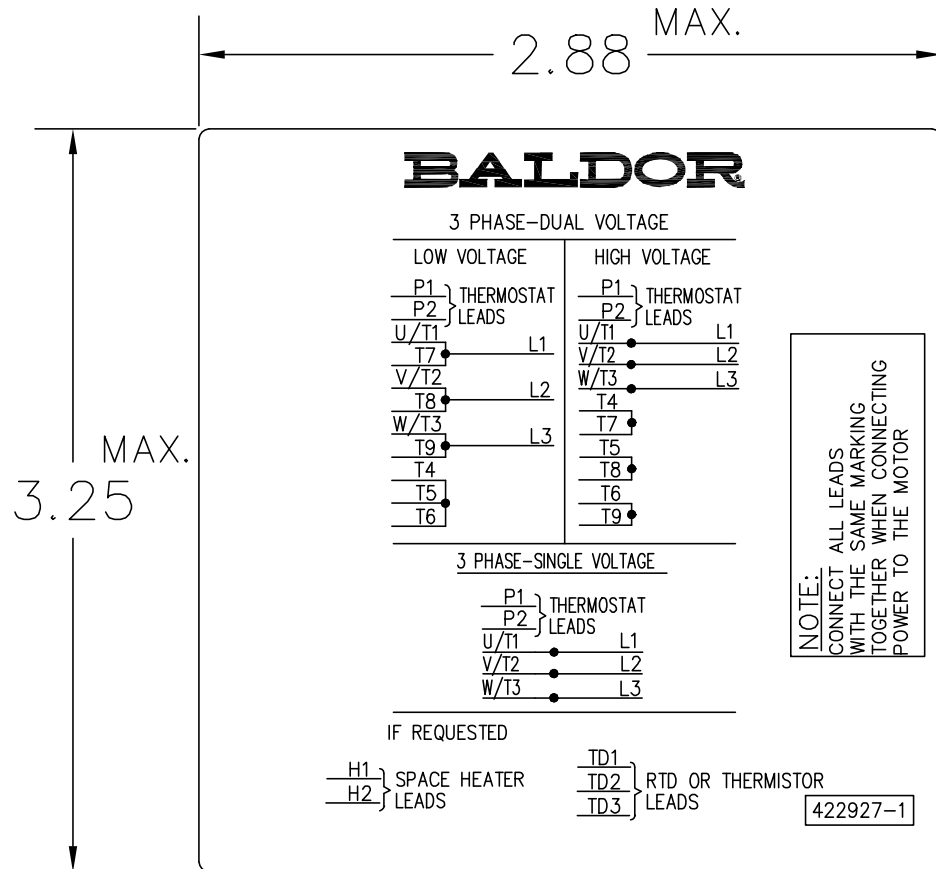
REV. DESC: ADD AV85	VERSION: 25	TDR: 00000111552
REV. LTR: AA	REVISED: 03:54:15 06/26/2019	BY: RGRWMM
FILE: \\RGG\00003\694		
MTL: -		

**BALDOR - RELIANCE®**

DIM SHT TACH DIM NEMA FL180 - FL440 IEC FDL112 - FDL280

SH 1 of 1

422927-001



NOTE:  
DATA TO BE SIZED  
SO THAT IT FITS INTO  
MATERIAL DECAL  
DIMENSIONS. MAKE  
LETTERS & NUMBERS  
AS LARGE AS POSSIBLE.

MATERIAL: CERAMATIC DGF-P4  
PERMA GRIP ADHESIVE

ALL LETTERS, NUMBERS  
AND LINES TO BE BLACK  
ON WHITE BACKGROUND.

422927-001

REV. DESC: CHANGE BACKGROUND COLOR FROM GOLD TO WHITE		
REV. LTR: B	VERSION: 02	TDR: 00000788708
FILE: \RGG\00000\203	REVISED: 08:09:29 03/04/2013	
MTL: -	BY: RGGWT	

**BALDOR**

EXTERNAL CONNECTION LABEL

SH 1 of 1