

BALDOR® • RELIANCE™

Customer information packet

YPC345A

.5HP, 1625RPM, 1PH, 60HZ, 56YZ, 3414C, TEAO, F1

Class - None

Division - Not Applicable

Specifications

| | |
|--------------------------------|-----------------------------|
| Enclosure | TEAO |
| Frame | 56YZ |
| Frame Material | Steel |
| Frequency | 60.00 Hz |
| Haz Area Class and Group | None |
| Haz Area Division | Not Applicable |
| Motor Letter Type | Oil Capacitor Start and Run |
| Output @ Frequency | .500 HP @ 60 HZ |
| Phase | 1 |
| Synchronous Speed @ Frequency | 1800 RPM @ 60 HZ |
| Voltage @ Frequency | 115.0 V @ 60 HZ |
| Agency Approvals | UR CSA |
| Ambient Temperature | 40 °C |
| Auxillary Box | No Auxillary Box |
| Auxillary Box Lead Termination | None |
| Base Indicator | Yoke Pedestal |
| Bearing Grease Type | Polyrex EM (-20F +300F) |
| Blower | None |
| Current @ Voltage | 5.100 A @ 115.0 V |
| Drip Cover | No Drip Cover |
| Duty Rating | CONT |
| Electrically Isolated Bearing | Not Electrically Isolated |
| Feedback Device | NO FEEDBACK |
| Front Face Code | Terminal Panel |
| Front Shaft Indicator | None |
| Heater Indicator | No Heater |
| High Voltage Full Load Amps | 5.1 a |
| Insulation Class | B |
| Inverter Code | Not Inverter |
| KVA Code | D |
| Lifting Lugs | No Lifting Lugs |

Part detail

| | |
|--------------|------------|
| Revision | G |
| Type | AC |
| Mech. spec. | 34M197 |
| Base | |
| Status | PRD/A |
| Elec. spec. | 34WGR236 |
| Layout | 34LYM197 |
| Eff. date | 09-18-2023 |
| CD Diagram | CD0798 |
| Poles | 04 |
| Leads | 5#18 |
| Proprietary | False |
| Created date | 07-01-2015 |

| | |
|--------------------------------------|--------------------------------|
| Locked Bearing Indicator | No Locked Bearing |
| Motor Lead Exit | Terminal Panel Or Lead Hole |
| Motor Lead Quantity/Wire Size | 5 @ 18 AWG |
| Motor Lead Termination | None |
| Motor Standards | NEMA |
| Motor Type | 3414C |
| Mounting Arrangement | F1 |
| Number of Poles | 4 |
| Overall Length | 10.68 IN |
| Product Family | General Purpose |
| Pulley End Bearing Type | Ball |
| Pulley Face Code | Standard |
| Pulley Shaft Indicator | Flat Only (When Non-STD) |
| Rodent Screen | None |
| RoHS Status | ROHS COMPLIANT |
| Service Factor | 1.00 |
| Shaft Diameter | 0.625 IN |
| Shaft Extension Location | Pulley End |
| Shaft Ground Indicator | No Shaft Grounding |
| Shaft Rotation | Reversible: Connected Standard |
| Shaft Slinger Indicator | Shaft Slinger |
| Speed | 1625 rpm |
| Speed Code | Single Speed |
| Starting Method | Direct on line |
| Thermal Device - Bearing | None |
| Thermal Device - Winding | None |
| Vibration Sensor Indicator | No Vibration Sensor |
| Winding Thermal 1 | Automatic Thermal Overload |
| Winding Thermal 1 Location | WG |

Nameplate

| NP1257L | | | | | | | | | |
|---------------------|--------------|-------------|------|------------|----|-----------|-----------|---|--|
| CAT.NO. | YPC345A | | | | | | | | |
| SPEC. | 34M197R236G1 | | | | | | | | |
| HP | .5 | | | | | | | | |
| VOLTS | 115 | | | | | | | | |
| AMP | 5.1 | | | | | | | | |
| RPM | 1625 | | | | | | | | |
| FRAME | 56YZ | | | HZ | 60 | | PH | 1 | |
| SER.F. | 1.00 | CODE | D | DES | - | CL | B | | |
| NEMA-NOM-EFF | | PF | | | | | | | |
| RATING | 40C AMB-CONT | | | | | | | | |
| CC | | | | | | | | | |
| DE | 6203 | ODE | 6203 | | | | | | |
| ENCL | TEAO | SN | | | | | | | |

AC Induction Motor Performance Data

Record # 49836

Typical performance - not guaranteed values

| Winding: 34WGR236-R001 | | Type: 3414C | | Enclosure: TEAO | |
|------------------------|----------------|---------------------|---|--------------------------------|--|
| Nameplate Data | | | 115 V, 60 Hz: Single Voltage Motor | | |
| Rated Output (HP) | .5 | Full Load Torque | 1.62 LB-FT | | |
| Volts | 115 | Start Configuration | direct on line | | |
| Full Load Amps | 5.1 | Breakdown Torque | 2.8 LB-FT | | |
| R.P.M. | 1625 | Pull-up Torque | 0.382 LB-FT | | |
| Hz | 60 Phase | 1 | Locked-rotor Torque | 0.512 LB-FT | |
| NEMA Design Code | - KVA Code | D | Starting Current | 17.7 A | |
| Service Factor (S.F.) | | 1 | No-load Current | 1.75 A | |
| NEMA Nom. Eff. | 0 Power Factor | 0 | Line-line Res. @ 25°C | 2.1667 Ω A Ph 5.2933 Ω B Ph | |
| Rating - Duty | 40C AMB-CONT | | Temp. Rise @ Rated Load | | |

Load Characteristics 115 V, 60 Hz, 0.5 HP

| % of Rated Load | 25 | 50 | 75 | 100 | 125 | 150 |
|-----------------|--------|--------|--------|--------|--------|--------|
| Power Factor | 87 | 92 | 95 | 96 | 95 | 94 |
| Efficiency | 42.3 | 63.6 | 70.2 | 70.9 | 68.3 | 59.6 |
| Speed | 1769.5 | 1751.8 | 1725.8 | 1692.3 | 1650.7 | 1563.7 |
| Line amperes | 2.36 | 2.99 | 3.94 | 5.02 | 6.3 | 8.34 |

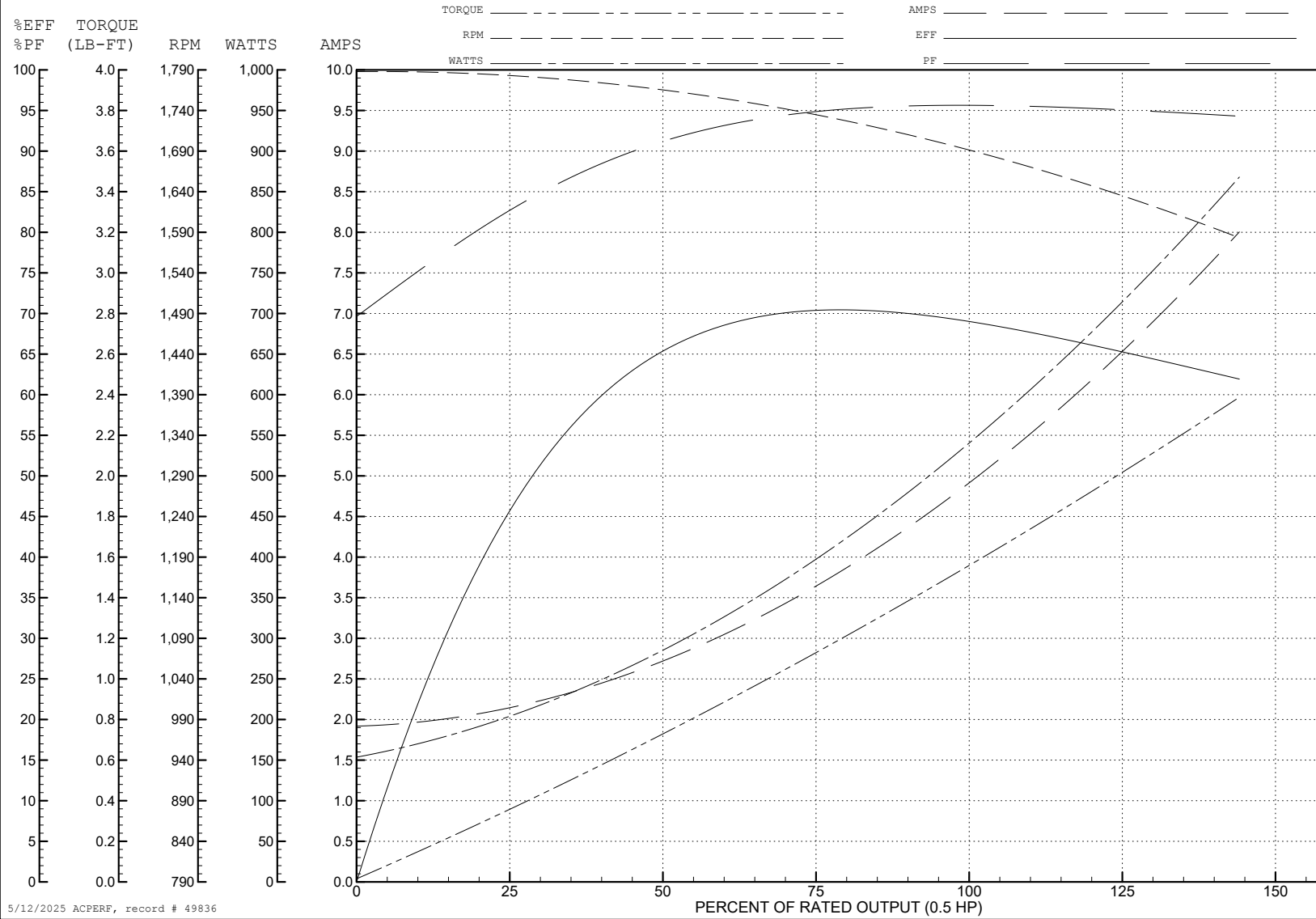
ABB Motors and Mechanical Inc.

WINDING # 34WGR236

Typical performance - not guaranteed values.

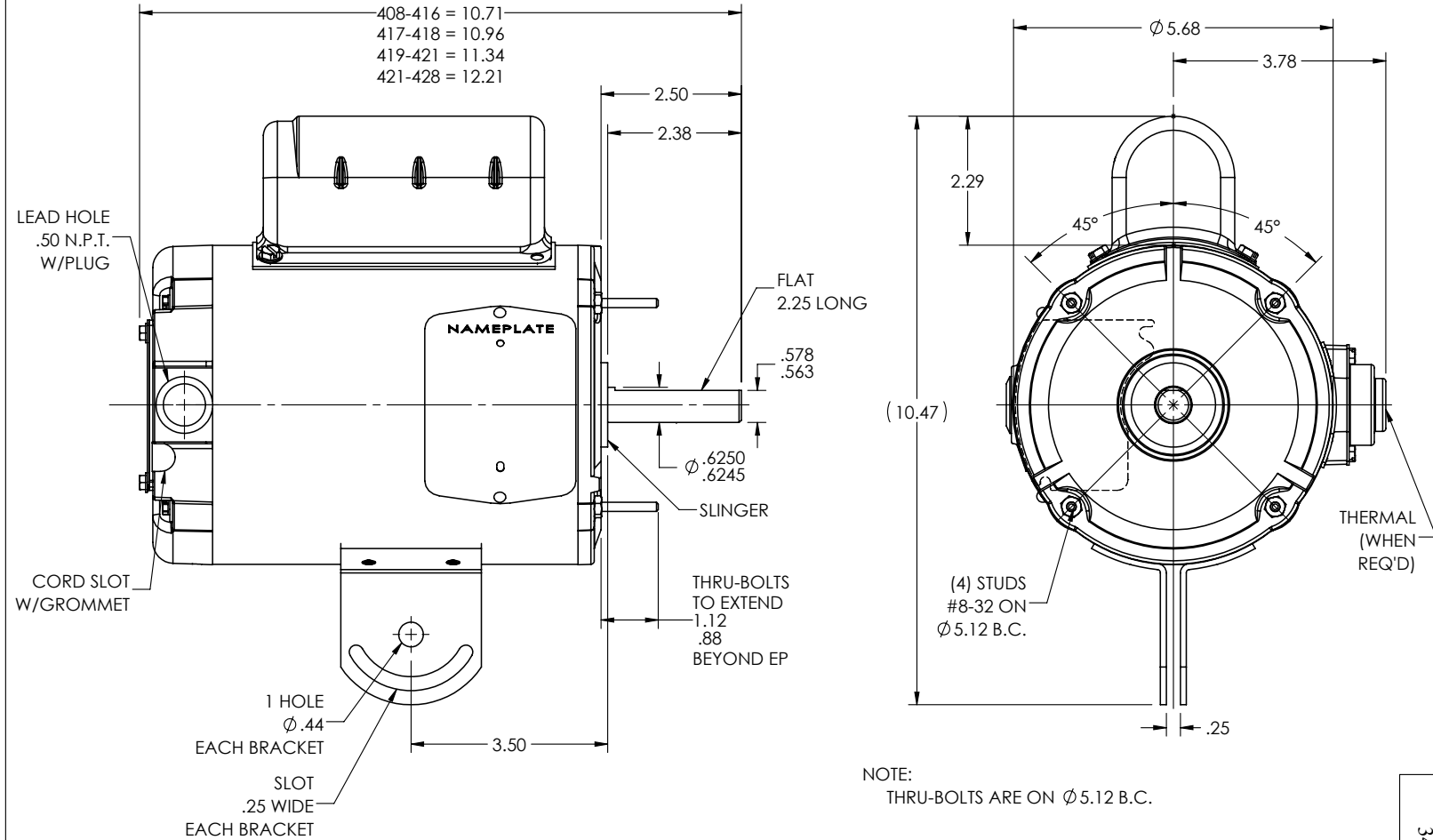
0.5 HP 1 PH 60 HZ 1625 RPM 115 V 3414C

TORQUES (LB-FT): PO=2.8 PU=0.382 LR=0.512 LRA=17.7



5/12/2025 ACPERF, record # 49836

34LYM197



NOTE:
THRU-BOLTS ARE ON Ø 5.12 B.C.

CUSTOMER IS RESPONSIBLE FOR DETERMINING THAT THE PRODUCT WILL PERFORM SUITABLY IN THE INTENDED APPLICATION

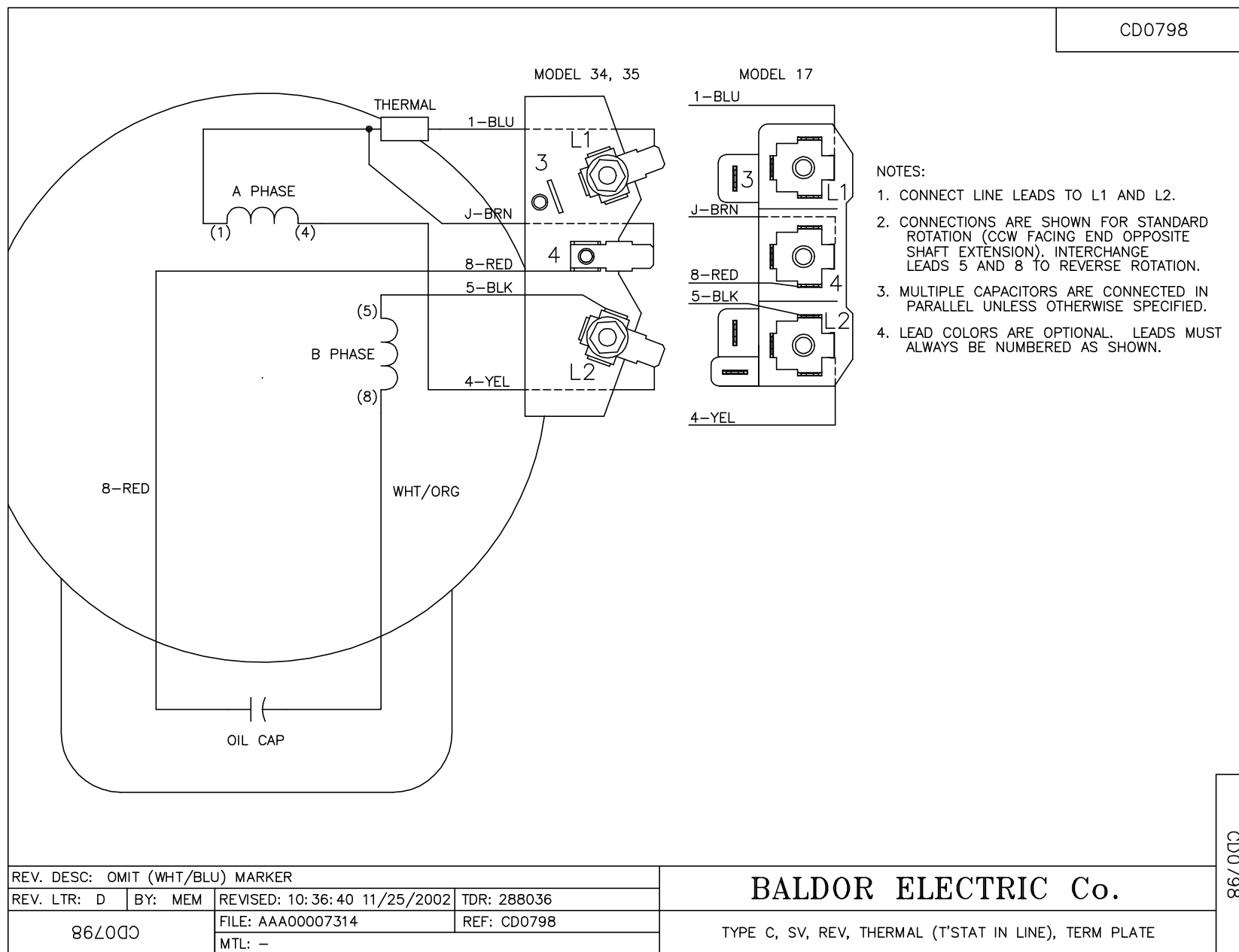
| | | | |
|---------------------------------------|-------------|------------------------------|-------------------|
| REV. DESC: LOAD TO SOLIDWORKS - REV A | | | |
| REV: B | VERSION: 02 | REVISED: 11:41:47 05/11/2023 | TDR: 000001201165 |
| 34LYM197 | | MODEL NO. 34LYM197 | REF: - |
| | | BY: ENFRAJ0 | |

BALDOR - RELIANCE®

PED MOUNT 34C NEMA 56YZ TEAO TERM PANEL, EXT TBLTS

34LYM197

CD0798



CD0798