



Customer information packet

XT3754T-5

75HP, 1780RPM, 3PH, 60HZ, 365T, A36070M, TEFC

Class - None

Division - Division II

Specifications

| | |
|-------------------------------|---------------------------------|
| Enclosure | TEFC |
| Frame | 365T |
| Frame Material | Iron |
| Frequency | 60.00 Hz |
| Haz Area Class and Group | None |
| Haz Area Division | Division II |
| Motor Letter Type | Three Phase |
| Output @ Frequency | 75.000 HP @ 60 HZ |
| Phase | 3 |
| Synchronous Speed @ Frequency | 1800 RPM @ 60 HZ |
| Voltage @ Frequency | 575.0 V @ 60 HZ |
| Agency Approvals | UR CCSAUSEEV NEMA_PREMIUM |
| Ambient Temperature | 40 °C |
| Auxillary Box | No Auxillary Box |
| Base Indicator | Rigid |
| Bearing Grease Type | Polyrex EM (-20F +300F) |
| Current @ Voltage | 68.500 A @ 575.0 V |
| Design Code | B |
| Drip Cover | No Drip Cover |
| Duty Rating | CONT |
| Efficiency @ 100% Load | 95.4 % |
| Feedback Device | NO FEEDBACK |
| Heater Indicator | No Heater |
| High Voltage Full Load Amps | 68.5 a |
| Insulation Class | F |
| Inverter Code | Inverter Ready |
| IP Rating | NONE |
| KVA Code | G |
| Lifting Lugs | Standard Lifting Lugs |
| Max Speed | 3600 rpm |

Part detail

| | |
|--------------|------------|
| Revision | A |
| Type | AC |
| Mech. spec. | |
| Base | |
| Status | PRD/A |
| Elec. spec. | A36WG4078 |
| Layout | 617431-412 |
| Eff. date | 07-08-2024 |
| CD Diagram | 416820-036 |
| Poles | 04 |
| Leads | 3#4 |
| Proprietary | False |
| Created date | 09-15-2021 |

| | |
|--------------------------------------|--------------------|
| Motor Lead Quantity/Wire Size | 3 @ 4 AWG |
| Motor Standards | NEMA |
| Motor Type | A36070M |
| Mounting Arrangement | F1 |
| Number of Poles | 4 |
| Overall Length | 33.48 IN |
| Power Factor | 86 |
| Product Family | General Industrial |
| Pulley End Bearing Type | Ball |
| Pulley Face Code | Standard |
| Service Factor | 1.00 |
| Shaft Diameter | 2.375 IN |
| Shaft Ground Indicator | No Shaft Grounding |
| Shaft Rotation | Reversible |
| Shaft Slinger Indicator | Shaft Slinger |
| Speed | 1780 rpm |
| Speed Code | Single Speed |
| Starting Method | Direct on line |
| Thermal Device - Bearing | None |
| Thermal Device - Winding | None |

Nameplate

NP4152LUA

| | | | | | | | | | | | | |
|--------------------|--------------------------------|-----------|------------------|----------------|-------------------------|----------------------|--------------------|------------|---------------|----------------------|-----------|-------|
| CAT # | XT3754T-5 | | | SER | | | | CC | 010A | | | |
| SPEC | A36-0021-4078 | | | RATING | 40C AMB-CONT | | | | | | | |
| HZ | VOLTS | | AMPS | RPM | HP | CODE | SF | DES | PF | NEMA NOM. EFF | | |
| 60 | 575 | | 68.5 | 1780 | 75 | G | 1.15 | B | 86 % | 95.4 % | | |
| | | | | | | | | | % | % | | |
| PH | 3 | CL | F | MAX RPM | 3600 | MAX CORR KVAR | 16 | | | | | |
| BRG | DE | 6313 | ODE | 6313 | ENCL | TEFC | FR | 365T | IP | 54 | | |
| GREASE | POLYREX EM | | | | MTR WT | LBS | | | | | | |
| | CL I DIV 2 GRPS A,B,C,D | | | | CL I ZONE 2 GRPS | | IIA,IIB,IIC | | TEMP T | 200 | C | |
| INV READY | CT | 2:1 | HZ | 30-60 | VT | 1000:1 | HZ | 0-60 | CHP | 1:1.5 | HZ | 60-90 |
| INV TEMP CL | T3 | C | USABLE AT | N/A | | | | | | | | |

617431-412

ENCLOSURE: TOTALLY ENCLOSED

MOUNTING: FOOT, F-1 SIDE

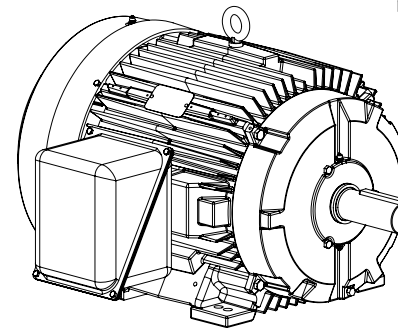
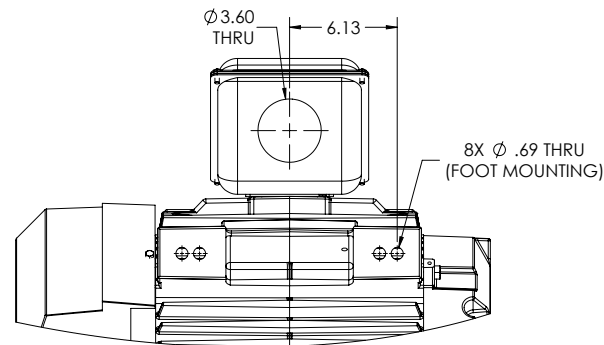
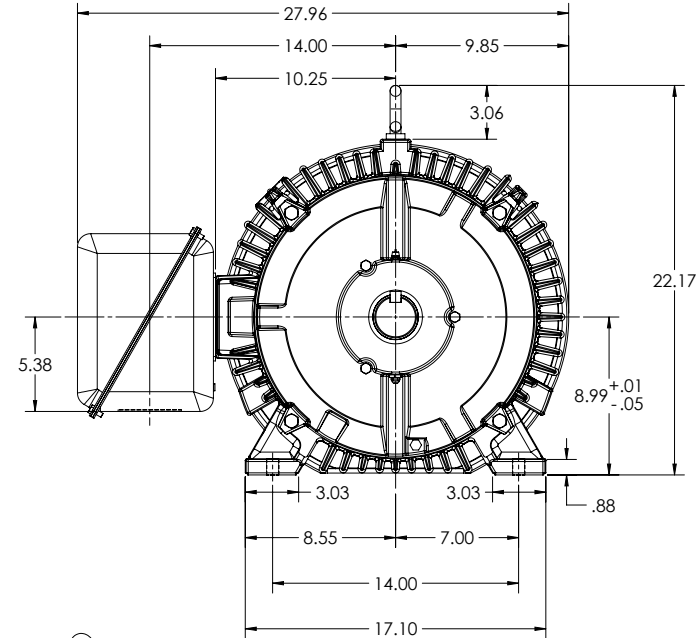
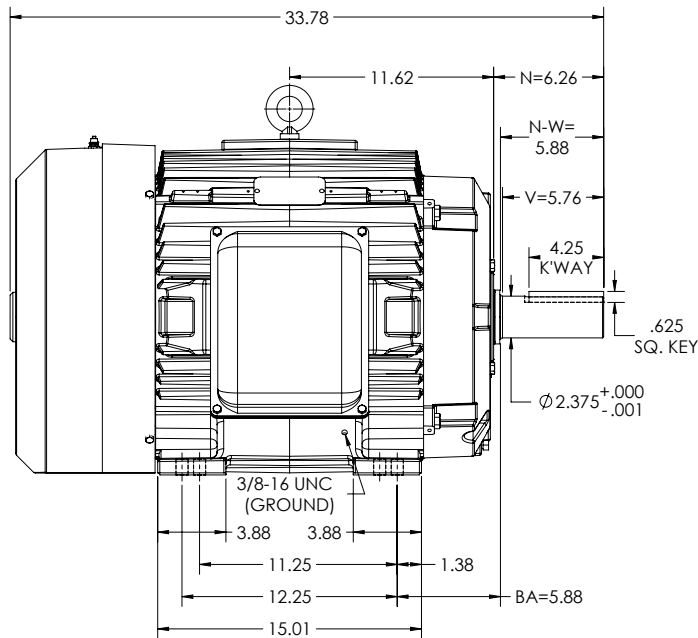
DUTY MASTER ALTERNATING CURRENT MOTORS

SQUIRREL-CAGE INDUCTION

E365T/E364T FRAME MOUNTING

COOLING: FAN COOLED

STEEL CONDUIT BOX



DIMENSIONS ARE IN INCHES.
WEIGHT (LBS.) 800. MOTOR WEIGHT MAY VARY 15% DEPENDING ON RATING.
CUSTOMER IS RESPONSIBLE FOR DETERMINING THAT MOTOR PERFORMANCE IS SUITABLE IN THE APPLICATION.

SHEET NUMBER
1 OF 2
Z1F-137219

IF MOUNTING CLEARANCE DETAILS ARE REQUIRED, CONSULT FACTORY.
MAX PERMISSIBLE SHAFT RUNOUT WHEN MEASURED AT END OF STANDARD SHAFT EXTENSION IS .003" T.I.R.

| | | | |
|------------------------------|-------------|------------------------------|-------------------|
| REV. DESC: UPDATE DS QUALITY | | | |
| REV: F | VERSION: 06 | REVISED: 01-00-49 01-02-2024 | TDR: 000001222947 |
| MODEL NO. 617431-412 | | | |
| BY: USJEDIL | | | |

BALDOR

E365364T TEFC FOOT F1 STEEL CONDUIT BOX

617431-412

617431-412

ENCLOSURE: TOTALLY ENCLOSED

MOUNTING: FOOT, F-1 SIDE

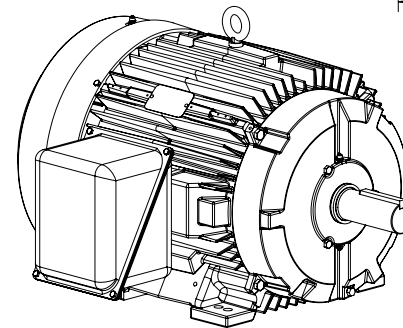
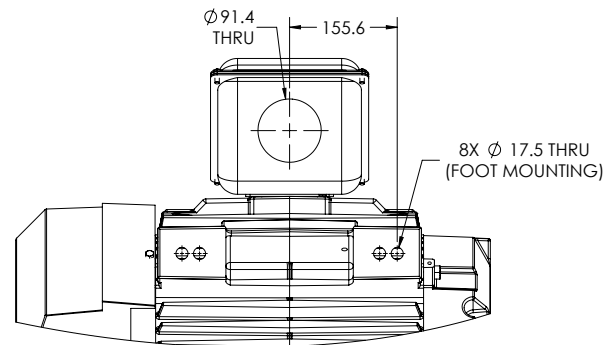
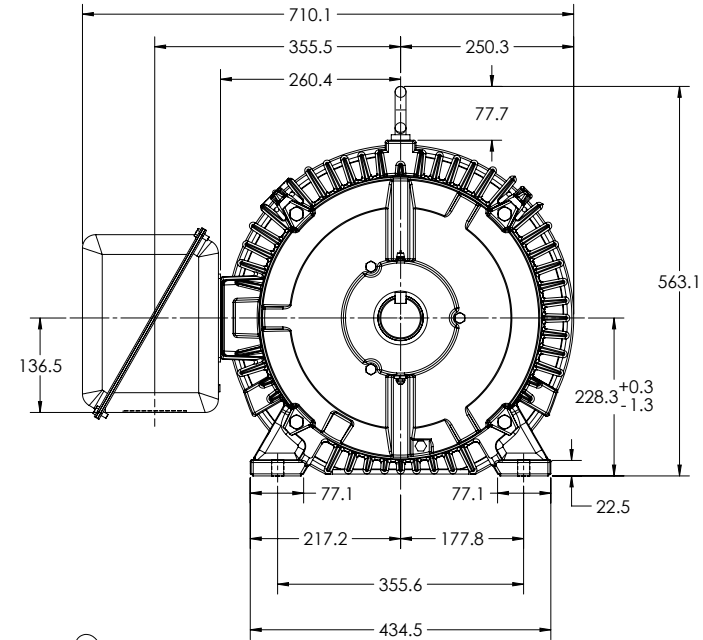
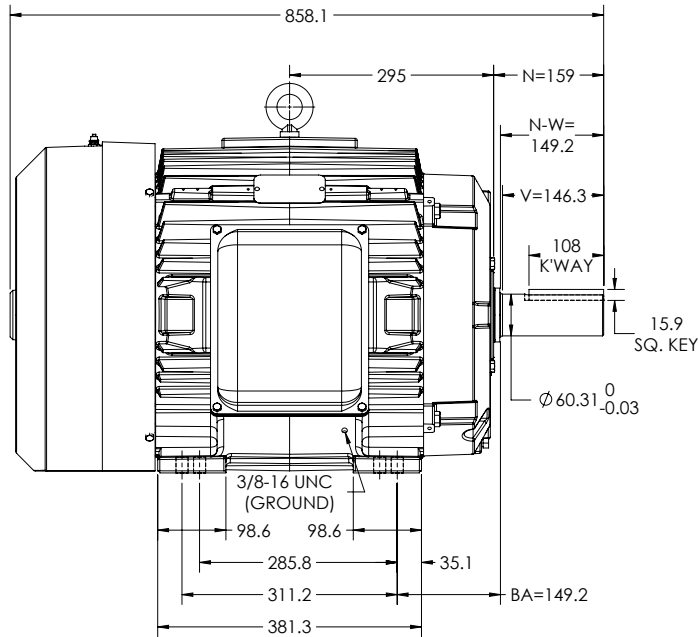
DUTY MASTER ALTERNATING CURRENT MOTORS

SQUIRREL-CAGE INDUCTION

E365T/E364T FRAME MOUNTING

COOLING: FAN COOLED

STEEL CONDUIT BOX



DIMENSIONS ARE IN MILLIMETERS.
WEIGHT (KG) 362, MOTOR WEIGHT MAY VARY 15% DEPENDING ON RATING.
CUSTOMER IS RESPONSIBLE FOR DETERMINING THAT MOTOR PERFORMANCE IS SUITABLE IN THE APPLICATION.

SHEET NUMBER
2 OF 2

IF MOUNTING CLEARANCE DETAILS ARE REQUIRED, CONSULT FACTORY.
MAX PERMISSIBLE SHAFT RUNOUT WHEN MEASURED AT END OF STANDARD SHAFT EXTENSION IS .08 T.I.R.

| | | | |
|------------------------------|-------------|------------------------------|-------------------|
| REV. DESC: UPDATE DS QUALITY | | | |
| REV: F | VERSION: 06 | REVISED: 01-00-49 01-02-2024 | TDR: 000001222947 |
| MODEL NO. 617431-412 | | | |
| BY: USJEDIL | | | |

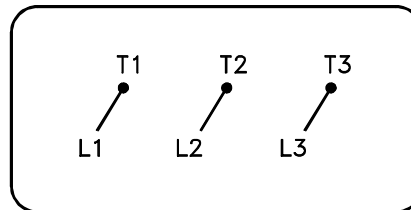
BALDOR

E365/E364T TEFC FOOT F1 STEEL CONDUIT BOX

617431-412

416820-036

A-C MOTOR
CONNECTION DIAGRAM
STANDARD 3 LEAD CONNECTED



(N.P. 1575-BA)

416820-036

| | | |
|--------------------------------------|--------------------------------|-------------------|
| REV. DESC: LOADED TO BUS, C/R 335225 | | |
| REV. LTR: - | VERSION: 00 | TDR: 000000538207 |
| FILE: \MGA\00000\682 | REVISED: 11: 54: 06 04/30/2010 | |
| MTL: - | BY: RAGRA | |

BALDOR
CONN DIAG - STANDARD 3 LEAD
SH 1 of 1