

BALDOR • RELIANCE

Customer information packet

XT3752TS

75HP, 3555RPM, 3PH, 60HZ, 365TS, A36068M, TEFC

Class - None

Division - Division II

Copyright © All product information within this document is subject to ABB Motors and Mechanical Inc. copyright © protection, unless otherwise noted.

3/25/2023 9:17:21 AM

Specifications

Enclosure	TEFC
Frame	365TS
Frame Material	Iron
Frequency	60.00 Hz
Motor Letter Type	Three Phase
Output @ Frequency	75.000 HP @ 60 HZ
Phase	3
Synchronous Speed @ Frequency	3600 RPM @ 60 HZ
Voltage @ Frequency	230.0 V @ 60 HZ 460.0 V @ 60 HZ
XP Class and Group	None
XP Division	Division II
Agency Approvals	CCSA US CSA EEV NEMA PREMIUM UR
Ambient Temperature	40 °C
Auxillary Box	No Auxillary Box
Base Indicator	Rigid
Bearing Grease Type	Polyrex EM (-20F +300F)
Current @ Voltage	81.800 A @ 460.0 V 182.000 A @ 208.0 V 164.000 A @ 230.0 V
Design Code	B
Drip Cover	No Drip Cover
Duty Rating	CONT
Efficiency @ 100% Load	93.6 %
Feedback Device	NO FEEDBACK
Heater Indicator	No Heater
High Voltage Full Load Amps	81.8 a
Insulation Class	F
Inverter Code	Inverter Ready

Part detail

Revision	D
Type	AC
Mech. spec.	
Base	
Status	PRD/A
Elec. spec.	A36WG0026
Layout	617428-328
Eff. date	09-29-2021
CD Diagram	416820-002
Poles	02
Leads	3#2,6#4
Proprietary	False
Created date	11-11-2020

IP Rating	NONE
KVA Code	F
Lifting Lugs	Standard Lifting Lugs
Max Speed	4500 rpm
Motor Lead Quantity/Wire Size	3 @ 2 AWG
Motor Standards	NEMA
Motor Type	A36068M
Mounting Arrangement	F1
Number of Poles	2
Overall Length	31.35 IN
Power Factor	92
Product Family	General Industrial
Pulley End Bearing Type	Ball
Pulley Face Code	Standard
Service Factor	1.15
Shaft Diameter	1.875 IN
Shaft Ground Indicator	No Shaft Grounding
Shaft Rotation	Reversible
Shaft Slinger Indicator	Shaft Slinger
Speed	3555 rpm
Speed Code	Single Speed
Starting Method	Direct on line
Thermal Device - Bearing	None
Thermal Device - Winding	None

Nameplate

NP4152LUA

CAT #	XT3752TS			SER				CC	010A			
SPEC	A36-5005-0026			RATING	40C AMB-CONT							
HZ	VOLTS		AMPS		RPM	HP	CODE	SF	DES	PF	NEMA NOM. EFF	
60	230/460		164/81.8		3555	75	F	1.15	B	92 %	93.6 %	
										%		%
PH	3	CL	F	MAX RPM	4500	MAX CORR KVAR	5	USABLE AT 208V			182	A
BRG	DE	6313	ODE	6313	ENCL	TEFC	FR	365TS	IP	54		
GREASE	POLYREX EM						MTR WT	954	LBS			
CL I DIV 2 GRPS A,B,C,D				CL I ZONE 2 GRPS				IIA,IIB,IIC		TEMP T	200	C
INV READY	CT	10-60	HZ	6:1	VT	0-60	HZ	1000:1	CHP	60-75	HZ	1:1.25
INV TEMP CL	T3	C	USABLE AT	50HZ 60HP 190/380V 160/80.2A					1.0SF			
SFA 191/95.5												

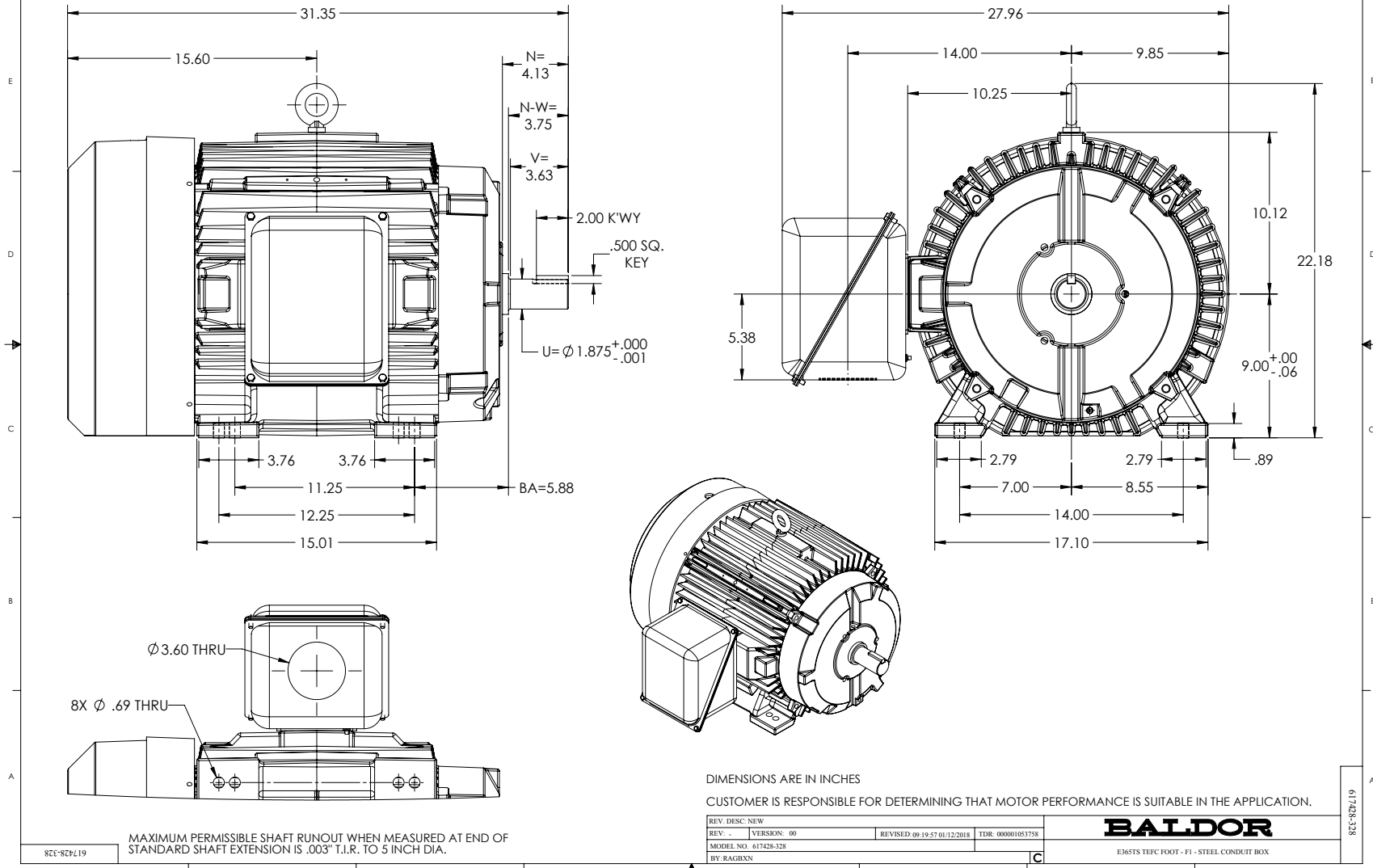
617428-328

DUTY MASTER ALTERNATING CURRENT MOTORS
SQUIRREL-CAGE INDUCTION

ENCLOSURE: TOTALLY ENCLOSED
MOUNTING: FOOT, F-1 SIDE

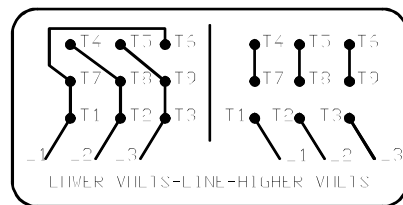
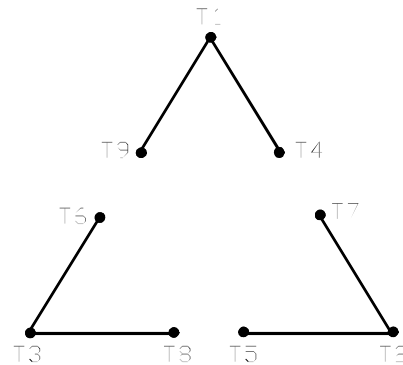
FRAME E365TS
INCLUDES E364TS FRAME MOUNTING HOLES
STEEL MAIN CONDUIT BOX

COOLING: FAN COOLED



416820-002

A-C MOTOR
 CONNECTION DIAGRAM
 STANDARD 9 LEAD DELTA-CONNECTED



(N.P. 1575-B)

416820-002

REV. DESC: FONT CHANGE FOR PDF SEARCHABLE		
REV. LTR: A	VERSION: 01	TDR: 000001009382
FILE: \MGA\00000\661	REVISED: 02:46:19 02/13/2020	BY: MGHMTT
MTL: -	© □	

BALDOR - RELIANCE®

CONN DIAG - STANDARD 9 LEAD, DELTA-CONNECTED

SH 1 of 1