

BALDOR® • RELIANCE®

Customer information packet

XT3602TS-5

60HP, 3560RPM, 3PH, 60HZ, 364TS, A36056M, TEFC

Class - None

Division - Division II

Copyright © All product information within this document is subject to ABB Motors and Mechanical Inc. copyright © protection, unless otherwise noted.

3/28/2023 7:17:08 AM

Specifications

Enclosure	TEFC
Frame	364TS
Frame Material	Iron
Frequency	60.00 Hz
Motor Letter Type	Three Phase
Output @ Frequency	60.000 HP @ 60 HZ
Phase	3
Synchronous Speed @ Frequency	3600 RPM @ 60 HZ
Voltage @ Frequency	575.0 V @ 60 HZ
XP Class and Group	None
XP Division	Division II
Agency Approvals	UR NEMA_PREMIUM NEMA PREMIUM CCSAUSEEV
Ambient Temperature	40 °C
Auxillary Box	No Auxillary Box
Base Indicator	Rigid
Bearing Grease Type	Polyrex EM (-20F +300F)
Current @ Voltage	52.900 A @ 575.0 V
Design Code	B
Drip Cover	No Drip Cover
Duty Rating	CONT
Efficiency @ 100% Load	93.6 %
Feedback Device	NO FEEDBACK
Heater Indicator	No Heater
High Voltage Full Load Amps	52.9 a
Insulation Class	F
Inverter Code	Inverter Ready
IP Rating	NONE
KVA Code	G
Lifting Lugs	Standard Lifting Lugs

Part detail

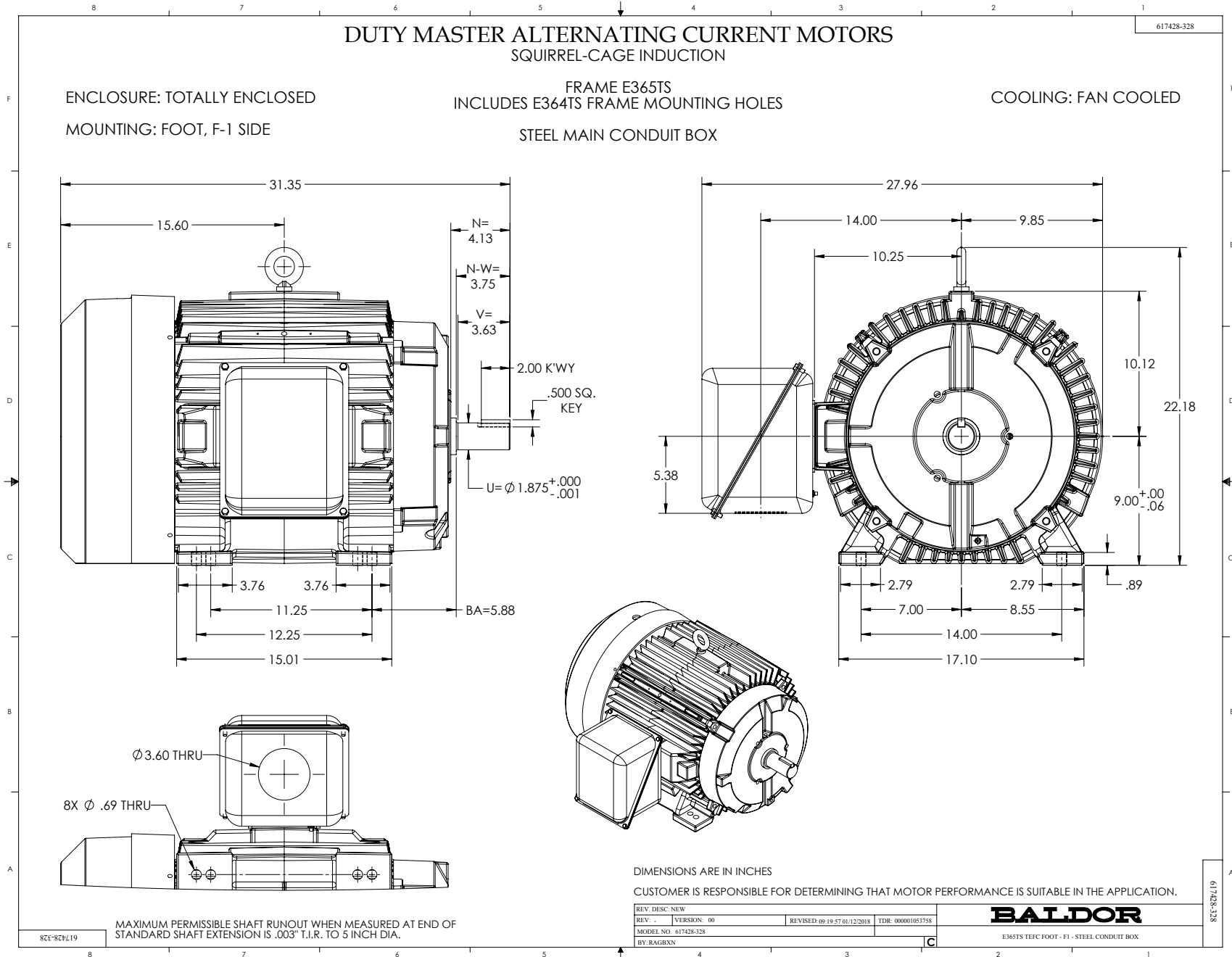
Revision	-
Type	AC
Mech. spec.	
Base	
Status	PRD/A
Elec. spec.	A36WG1561
Layout	617428-328
Eff. date	09-22-2021
CD Diagram	416820-036
Poles	02
Leads	3#4
Proprietary	False
Created date	09-15-2021

Max Speed	4500 rpm
Motor Lead Quantity/Wire Size	3 @ 4 AWG
Motor Standards	NEMA
Motor Type	A36056M
Mounting Arrangement	F1
Number of Poles	2
Overall Length	31.35 IN
Power Factor	91
Product Family	General Industrial
Pulley End Bearing Type	Ball
Pulley Face Code	Standard
Service Factor	1.15
Shaft Diameter	1.875 IN
Shaft Ground Indicator	No Shaft Grounding
Shaft Rotation	Reversible
Shaft Slinger Indicator	Shaft Slinger
Speed	3560 rpm
Speed Code	Single Speed
Starting Method	Direct on line
Thermal Device - Bearing	None
Thermal Device - Winding	None

Nameplate

NP4152LUA

CAT #	XT3602TS-5			SER				CC	010A			
SPEC	A36-0002-1561			RATING	40C AMB-CONT							
HZ	VOLTS		AMPS	RPM	HP	CODE	SF	DES	PF	NEMA NOM. EFF		
60	575		52.9	3560	60	G	1.15	B	91 %	93.6 %		
									%		%	
PH	3	CL	F	MAX RPM	4500	MAX CORR KVAR	6	USABLE AT 208V			A	
BRG	DE	6313	ODE	6313	ENCL	TEFC	FR	364TS	IP	54		
GREASE	POLYREX EM						MTR WT	999	LBS			
	CL I DIV 2 GRPS A,B,C,D				CL I ZONE 2 GRPS			IIA,IIB,IIC		TEMP T	200 C	
INV READY	CT	6:1	HZ	10-60	VT	1000:1	HZ	0-60	CHP	1:1.5	HZ	60-90
INV TEMP CL	T3	C	USABLE AT									



416820-036

A-C MOTOR
CONNECTION DIAGRAM
STANDARD 3 LEAD CONNECTED



(N.P. 1575-BA)

416820-036

REV. DESC: LOADED TO BUS, C/R 335225		
REV. LTR: -	VERSION: 00	TDR: 000000538207
FILE: \MGA\00000\682	REVISED: 11: 54: 06 04/30/2010	
MTL: -	BY: RAGRA	

BALDOR

CONN DIAG - STANDARD 3 LEAD
SH 1 of 1