



---

# Customer information packet

## XT3502TS-5

50HP, 3540RPM, 3PH, 60HZ, 326TS, 1252M, TEFC, F

Class - CLI GP A,B,C,D

Division - Division II

## Specifications

Enclosure	TEFC
Frame	326TS
Frame Material	Iron
Frequency	60.00 Hz
Haz Area Class and Group	CLI GP A,B,C,D
Haz Area Division	Division II
Motor Letter Type	Three Phase
Output @ Frequency	50.000 HP @ 60 HZ
Phase	3
Synchronous Speed @ Frequency	3600 RPM @ 60 HZ
Voltage @ Frequency	575.0 V @ 60 HZ
Agency Approvals	UR NEMA_PREMIUM NEMA PREMIUM CSA EEV CCSA US
Ambient Temperature	40 °C
Auxillary Box	No Auxillary Box
Auxillary Box Lead Termination	None
Base Indicator	Rigid
Bearing Grease Type	Polyrex EM (-20F +300F)
Blower	None
Constant Torque Speed Range	3
Current @ Voltage	45.000 A @ 575.0 V
Design Code	A
Drip Cover	No Drip Cover
Duty Rating	CONT
Efficiency @ 100% Load	93.0 %
Electrically Isolated Bearing	Not Electrically Isolated
Feedback Device	NO FEEDBACK
Haz Area Temp Code	T3
Heater Indicator	No Heater

## Part detail

Revision	A
Type	AC
Mech. spec.	
Base	
Status	PRD/A
Elec. spec.	12WGY278
Layout	12LYH011
Eff. date	07-24-2023
CD Diagram	CD0006
Poles	02
Leads	3#8
Proprietary	False
Created date	07-23-2021

<b>High Voltage Full Load Amps</b>	45.0 a
<b>Insulation Class</b>	F
<b>Inverter Code</b>	Inverter Duty
<b>IP Rating</b>	NONE
<b>KVA Code</b>	H
<b>Lifting Lugs</b>	Standard Lifting Lugs
<b>Locked Bearing Indicator</b>	Locked Bearing
<b>Motor Lead Termination</b>	Flying Leads
<b>Motor Standards</b>	NEMA
<b>Motor Type</b>	1252M
<b>Mounting Arrangement</b>	F1
<b>Number of Poles</b>	2
<b>Overall Length</b>	28.84 IN
<b>Power Factor</b>	89
<b>Product Family</b>	General Purpose
<b>Pulley Face Code</b>	Standard
<b>Rodent Screen</b>	None
<b>Service Factor</b>	1.00
<b>Shaft Diameter</b>	1.875 IN
<b>Shaft Ground Indicator</b>	No Shaft Grounding
<b>Shaft Rotation</b>	Reversible
<b>Speed</b>	3540 rpm
<b>Speed Code</b>	Single Speed
<b>Starting Method</b>	Direct on line
<b>Thermal Device - Bearing</b>	None
<b>Thermal Device - Winding</b>	None
<b>Vibration Sensor Indicator</b>	No Vibration Sensor
<b>Winding Thermal 1</b>	None
<b>Winding Thermal 2</b>	None

**Nameplate**

NP4224L									
<b>CAT.NO.</b>	XT3502TS-5				<b>I.P.</b>	54			
<b>SPEC.</b>	12-0000-2279				<b>ENCL</b>	TEFC			
<b>FRAME</b>	326TS	<b>H.P.</b>	50		<b>T. CODE</b>	T3			
<b>VOLTS</b>	575		<b>P.F.</b>	89					
<b>F.L. AMPS</b>	45		<b>RATING</b>	40C AMB-CONT					
<b>R.P.M.</b>	3540		<b>USABLE AT 208V</b>	N/A					
<b>HZ.</b>	60	<b>PH.</b>	3	<b>CLASS</b>	F				
<b>SER.F.</b>	1.00	<b>DES.</b>	A	<b>SL HZ</b>	1				
<b>NEMA NOM. EFF.</b>	93	<b>WK2</b>	4.07						
<b>DE</b>	6312	<b>ODE</b>	6311						
<b>MAG. CUR.</b>	13.9								
<b>INV TYPE</b>	PWM	<b>CHP</b>	60	<b>TO</b>	90	<b>INV TEMP CODE</b>	T3		
<b>CT</b>	3	<b>TO</b>	60	<b>VT</b>	3	<b>TO</b>	60		
<b>CC</b>	010A	<b>SN</b>							

**AC Induction Motor Performance Data**

Record # 30951

Typical performance - not guaranteed values

Winding: 12WGY278-R001		Type: 1252M	Enclosure: TEFC		
<b>Nameplate Data</b>			<b>575 V, 60 Hz: Single Voltage Motor</b>		
Rated Output (HP)	50	Full Load Torque	74.2 LB-FT		
Volts	575	Start Configuration	direct on line		
Full Load Amps	45	Breakdown Torque	292 LB-FT		
R.P.M.	3540	Pull-up Torque	98.7 LB-FT		
Hz	60	Phase	3	Locked-rotor Torque	135 LB-FT
NEMA Design Code	A	KVA Code	H	Starting Current	325 A
Service Factor (S.F.)	1.15	No-load Current	13.9 A		
NEMA Nom. Eff.	93	Power Factor	89	Line-line Res. @ 25°C	0.174 Ω
Rating - Duty	40C AMB-CONT		Temp. Rise @ Rated Load	80°C	
S.F. Amps			Temp. Rise @ S.F. Load	98°C	
			Locked-rotor Power Factor	21	
			Rotor inertia	4.07 LB-FT <sup>2</sup>	

**Load Characteristics 575 V, 60 Hz, 50 HP**

% of Rated Load	25	50	75	100	125	150	S.F.
Power Factor	58	79	86	89	90	90	90
Efficiency	90.6	93.6	94.3	94.1	93.3	92.7	93.6
Speed	3585	3573	3561	3550	3538	3526	3543
Line amperes	17.7	25.4	34.6	44.8	55.7	66.6	51.3

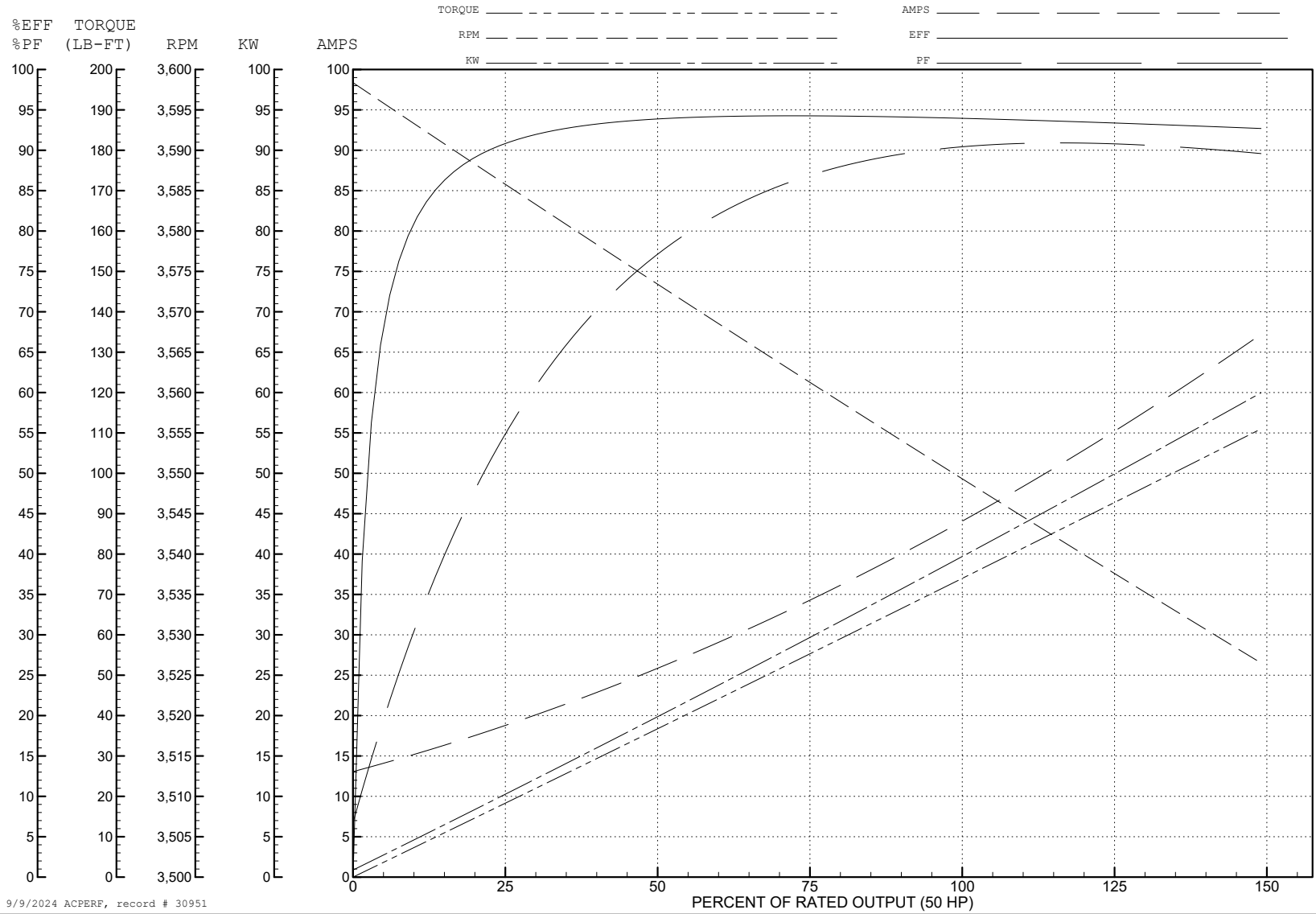
ABB Motors and Mechanical Inc.

WINDING # 12WGY278

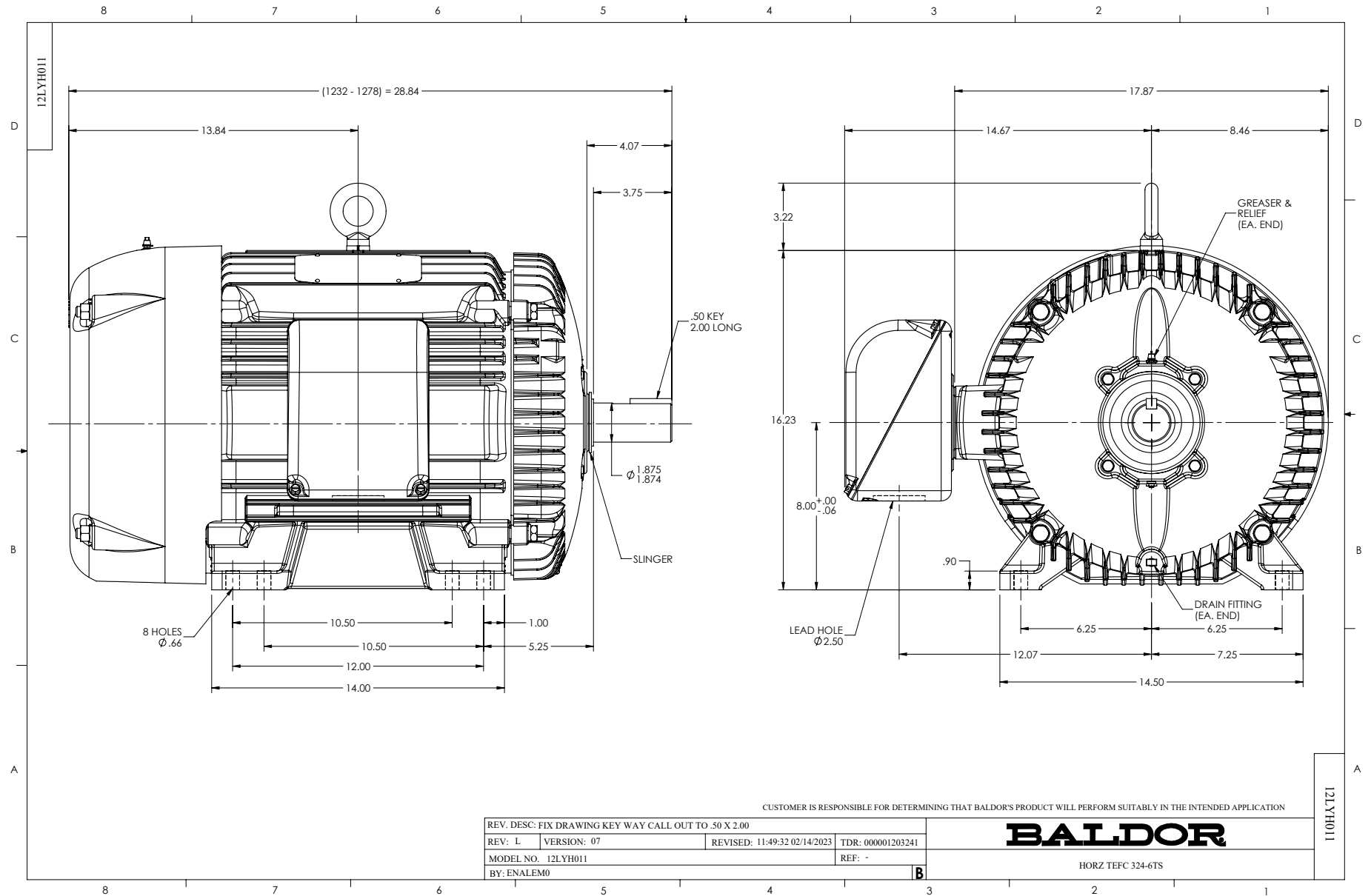
Typical performance - not guaranteed values.

50 HP 3 PH 60 HZ 3540 RPM 575 V 1252M

TORQUES (LB-FT): PO=292 PU=98.7 LR=135 LRA=325



9/9/2024 ACPERF, record # 30951



CD0006



NOTES:

1. THREE LEAD MOTOR MAY BE EITHER WYE CONNECTED OR DELTA CONNECTED.
2. INTERCHANGE ANY TWO LINE LEADS TO REVERSE ROTATION.
3. OPTIONAL THERMOSTATS ARE PROVIDED WHEN SPECIFIED.
4. ACTUAL NUMBER OF INTERNAL PARALLEL CIRCUITS MAY VARY.
5. LEAD COLORS ARE OPTIONAL. LEADS MUST BE NUMBERED AS SHOWN.

CD0006

REV. DESC: ADD CLASS CONN00000007		
REV. LTR: E	VERSION: 01	TDR: 000001099922
FILE: \AAA\00005\141	REVISED: 10: 24: 49 02/19/2019	BY: ENBRIRO
MTL: -	© □	

**BALDOR - RELIANCE®**

3PH, SV, 3 LEADS, WYE OR DELTA CONNECTED

SH 1 of 1