



Customer information packet

XT3306T

30HP, 1180RPM, 3PH, 60HZ, 326T, 1264M, TEFC, F1

Class - CLI GP A,B,C,D

Division - Division II

Specifications

Enclosure	TEFC
Frame	326T
Frame Material	Iron
Frequency	60.00 Hz
Haz Area Class and Group	CLI GP A,B,C,D
Haz Area Division	Division II
Motor Letter Type	Three Phase
Output @ Frequency	30.000 HP @ 60 HZ
Phase	3
Synchronous Speed @ Frequency	1200 RPM @ 60 HZ
Voltage @ Frequency	460.0 V @ 60 HZ 230.0 V @ 60 HZ
Agency Approvals	CCSA US CSA EEV NEMA PREMIUM NEMA_PREMIUM UR
Ambient Temperature	40 °C
Auxillary Box	No Auxillary Box
Auxillary Box Lead Termination	None
Base Indicator	Rigid
Bearing Grease Type	Polyrex EM (-20F +300F)
Blower	None
Constant Torque Speed Range	3
Current @ Voltage	82.000 A @ 208.0 V 78.000 A @ 230.0 V 39.000 A @ 460.0 V
Design Code	A
Drip Cover	No Drip Cover
Duty Rating	CONT
Efficiency @ 100% Load	93.0 %
Electrically Isolated Bearing	Not Electrically Isolated

Part detail

Revision	A
Type	AC
Mech. spec.	
Base	
Status	PRD/A
Elec. spec.	12WGY812
Layout	12LYH013
Eff. date	06-28-2024
CD Diagram	CD0005
Poles	06
Leads	9#8
Proprietary	False
Created date	11-05-2020

Feedback Device	NO FEEDBACK
Haz Area Temp Code	T3
Heater Indicator	No Heater
High Voltage Full Load Amps	39.0 a
Insulation Class	F
Inverter Code	Inverter Duty
IP Rating	NONE
KVA Code	H
Lifting Lugs	Standard Lifting Lugs
Locked Bearing Indicator	Locked Bearing
Motor Lead Termination	Flying Leads
Motor Standards	NEMA
Motor Type	1264M
Mounting Arrangement	F1
Number of Poles	6
Overall Length	30.28 IN
Power Factor	78
Product Family	General Purpose
Pulley Face Code	Standard
Rodent Screen	None
Service Factor	1.15
Shaft Diameter	2.125 IN
Shaft Ground Indicator	No Shaft Grounding
Shaft Rotation	Reversible
Speed	1180 rpm
Speed Code	Single Speed
Starting Method	Direct on line
Thermal Device - Bearing	None
Thermal Device - Winding	None
Vibration Sensor Indicator	No Vibration Sensor
Winding Thermal 1	None
Winding Thermal 2	None

Nameplate

NP4163L										
CAT.NO.	XT3306T					I.P.	54			
SPEC.	12-0000-1894					ENCL	TEFC			
FRAME	326T		H.P.	30						
VOLTS	230/460		P.F.	78						
F.L. AMPS	78/39		RATING	40C AMB-CONT						
R.P.M.	1180									
HZ.	60		PH.	3		CLASS	F			
SER.F.	1.15		DES.	A		SL HZ	1			
NEMA NOM. EFF.	93		WK2	12.2						
DE	6312		ODE	6311						
MAG. CUR.	34/17									
INV TYPE	PWM	CHP	60		TO	90		T. CODE	T3	
CT	3	TO	60		VT	3		TO	60	
CC	010A		SN							
USABLE AT 50 HZ 25HP 190/380V										
78/39A										

AC Induction Motor Performance Data

Record # 47164

Typical performance - not guaranteed values

Winding: 12WGY812-R001		Type: 1264M	Enclosure: TEFC	
Nameplate Data			460 V, 60 Hz: High Voltage Connection	
Rated Output (HP)	30	Full Load Torque	133 LB-FT	
Volts	230/460	Start Configuration	direct on line	
Full Load Amps	78/39	Breakdown Torque	370 LB-FT	
R.P.M.	1180	Pull-up Torque	179 LB-FT	
Hz	60 Phase	3	Locked-rotor Torque	217 LB-FT
NEMA Design Code	A KVA Code	H	Starting Current	245 A
Service Factor (S.F.)	1.15	No-load Current	17.2 A	
NEMA Nom. Eff.	93 Power Factor	78	Line-line Res. @ 25°C	0.22799 Ω
Rating - Duty	40C AMB-CONT	Temp. Rise @ Rated Load	56°C	
S.F. Amps		Temp. Rise @ S.F. Load	68°C	
		Locked-rotor Power Factor	27.2	
		Rotor inertia	12.2 lb-ft ²	

Load Characteristics 460 V, 60 Hz, 30 HP

% of Rated Load	25	50	75	100	125	150	S.F.
Power Factor	42	63	73	78	80	80	79
Efficiency	89	92.7	93.4	93.1	92.4	91.4	92.7
Speed	1196.5	1191.9	1188.3	1183.2	1178.2	1171.8	1180
Line amperes	19.2	24.1	31	38.7	47.5	57.3	44

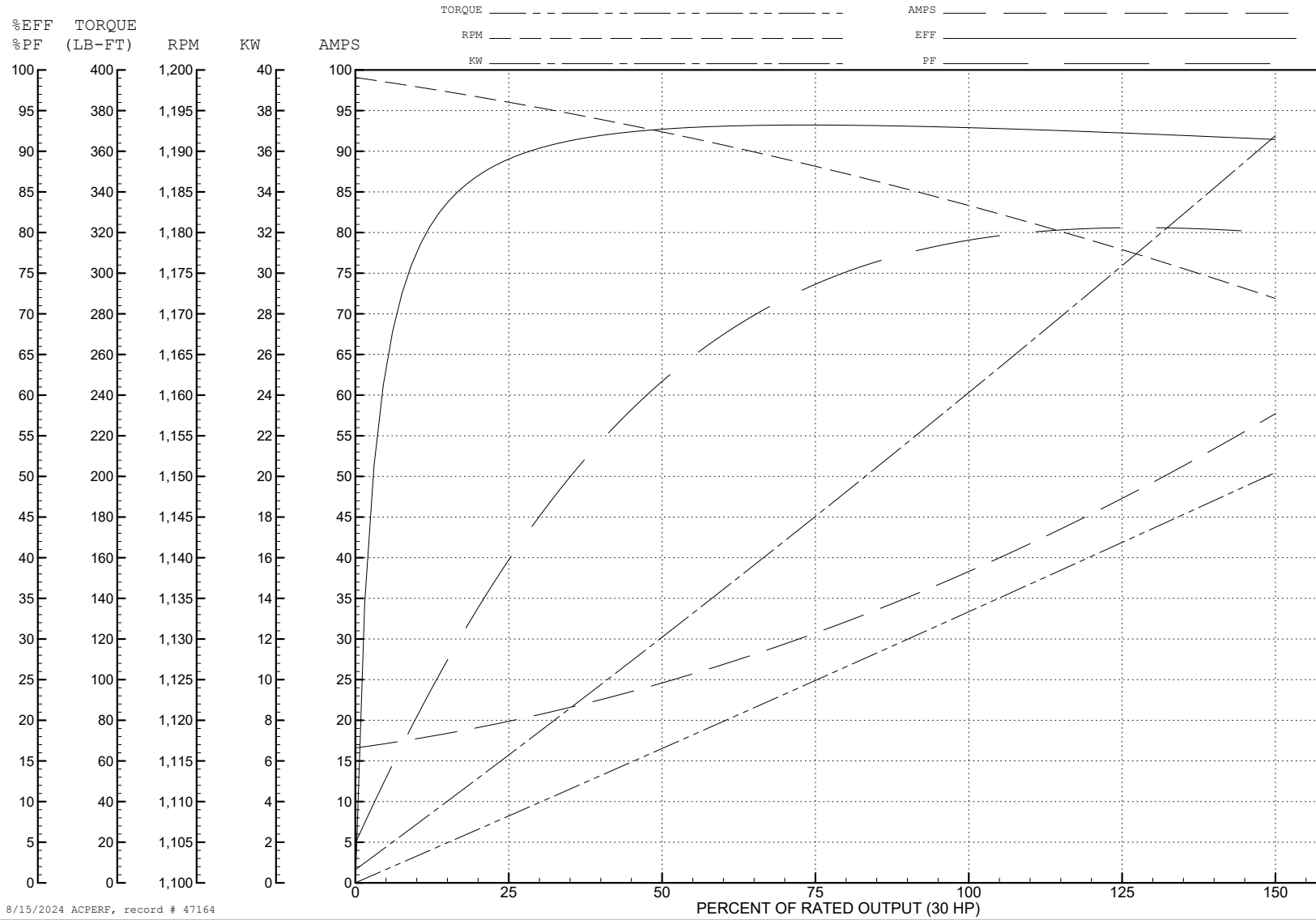
ABB Motors and Mechanical Inc.

WINDING # 12WGY812

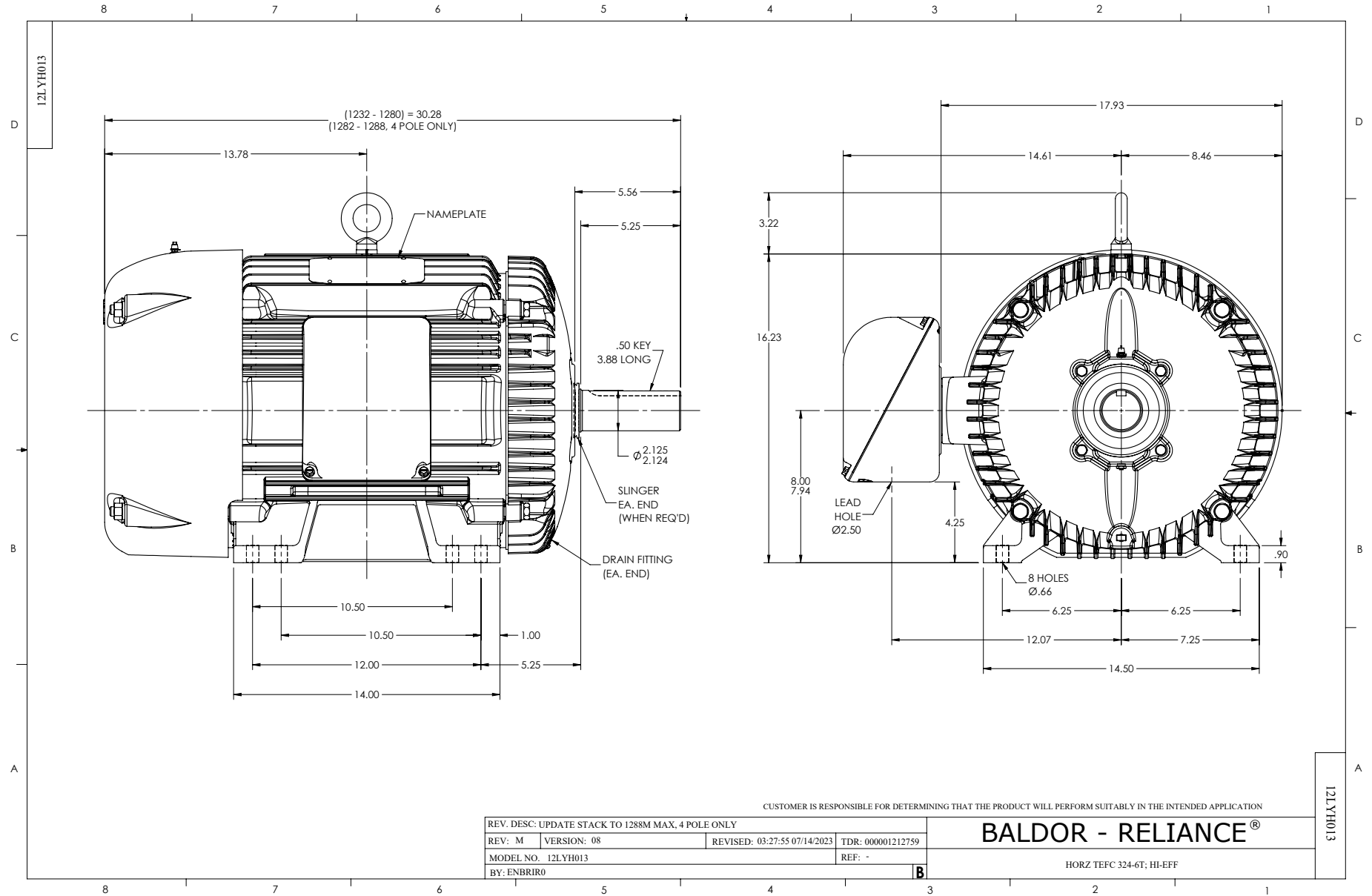
30 HP 3 PH 60 HZ 1180 RPM 460 V 1264M

Typical performance - not guaranteed values.

TORQUES (LB-FT): PO=370 PU=179 LR=217 LRA=245



8/15/2024 ACPERF, record # 47164



CD0005



LOW VOLTAGE
(2Y)



LINE

HIGH VOLTAGE
(1Y)



LINE

NOTES:

1. INTERCHANGE ANY TWO LINE LEADS TO REVERSE ROTATION.
2. OPTIONAL THERMOSTATS ARE PROVIDED WHEN SPECIFIED.
3. ACTUAL NUMBER OF INTERNAL PARALLEL CIRCUITS MAY BE A MULTIPLE OF THOSE SHOWN ABOVE.
4. LEAD COLORS ARE OPTIONAL. LEADS MUST ALWAYS BE NUMBERED AS SHOWN.

CD0005

REV. DESC: REVISE TO SHOW OPTIONAL COLORS			
REV. LTR: E	BY: JLP	REVISED: 01/19/99 10:15	TDR: 0171435
S00000		FILE: AAA00005140	MDL: -
		MTL: -	

BALDOR ELECTRIC Co.

3PH, DV, 9 LEADS