

BALDOR • RELIANCE

Customer information packet

XT33004T-5

300HP, 1785RPM, 3PH, 60HZ, 449T, A44160M, TEFC

Class - None

Division - Division II

Specifications

| | |
|-------------------------------|---|
| Enclosure | TEFC |
| Frame | 449T |
| Frame Material | Iron |
| Frequency | 60.00 Hz |
| Haz Area Class and Group | None |
| Haz Area Division | Division II |
| Motor Letter Type | Three Phase |
| Output @ Frequency | 300.000 HP @ 60 HZ |
| Phase | 3 |
| Synchronous Speed @ Frequency | 1800 RPM @ 60 HZ |
| Voltage @ Frequency | 575.0 V @ 60 HZ |
| Agency Approvals | UR NEMA_PREMIUM NEMA PREMIUM CCSAUSEEV |
| Ambient Temperature | 40 °C |
| Auxillary Box | No Auxillary Box |
| Base Indicator | Rigid |
| Bearing Grease Type | Polyrex EM (-20F +300F) |
| Current @ Voltage | 267.000 A @ 575.0 V |
| Design Code | B |
| Drip Cover | No Drip Cover |
| Duty Rating | CONT |
| Efficiency @ 100% Load | 96.2 % |
| Feedback Device | NO FEEDBACK |
| Heater Indicator | No Heater |
| High Voltage Full Load Amps | 267.0 a |
| Insulation Class | F |
| Inverter Code | Inverter Ready |
| IP Rating | NONE |
| KVA Code | G |
| Max Speed | 3600 rpm |

Part detail

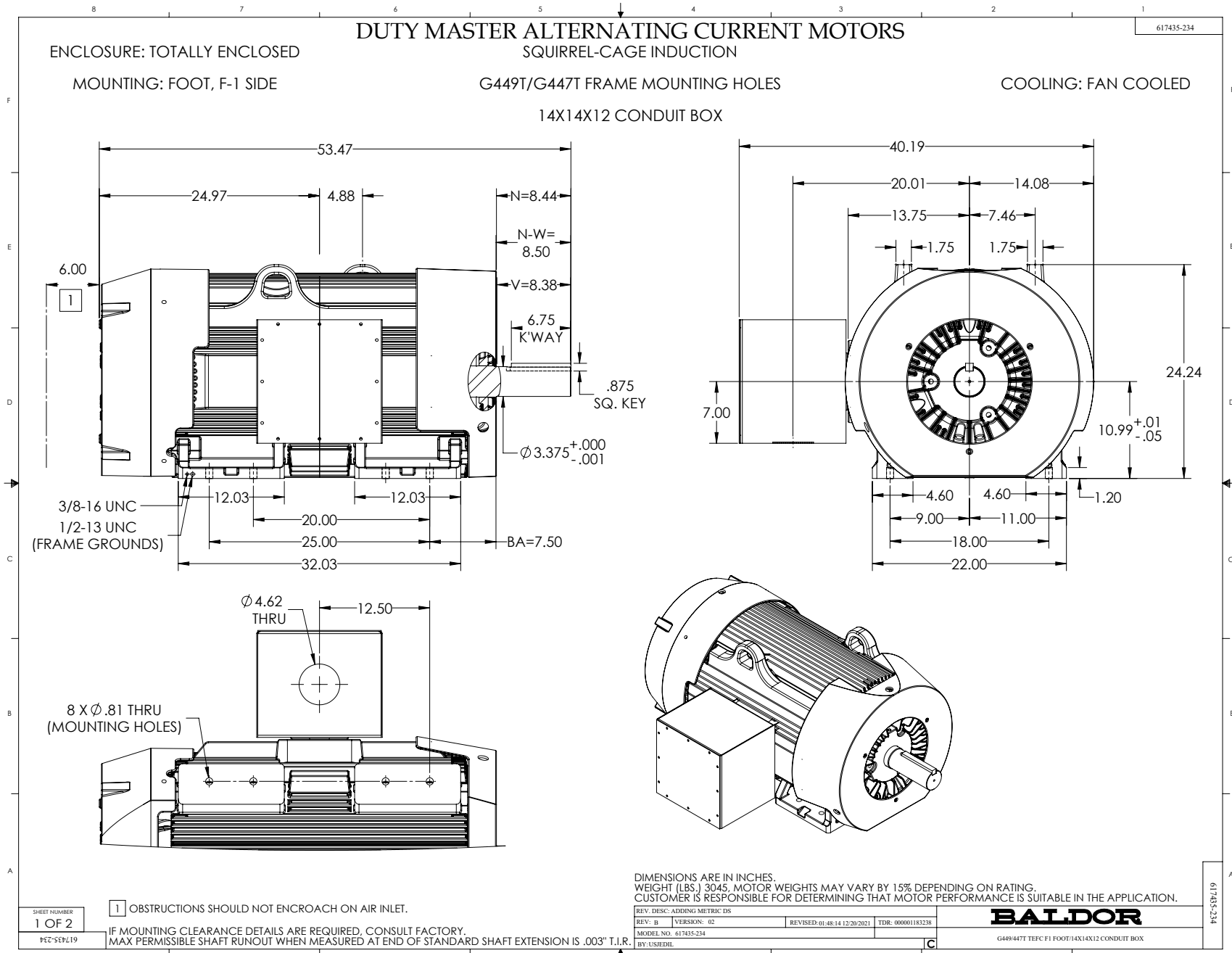
| | |
|--------------|----------------------|
| Revision | B |
| Type | AC |
| Mech. spec. | |
| Base | |
| Status | PRD/A |
| Elec. spec. | A44WG5582 |
| Layout | 617435-234 |
| Eff. date | 07-08-2024 |
| CD Diagram | 416820-036 |
| Poles | 04 |
| Leads | 3#1/0 (02 per group) |
| Proprietary | False |
| Created date | 09-14-2021 |

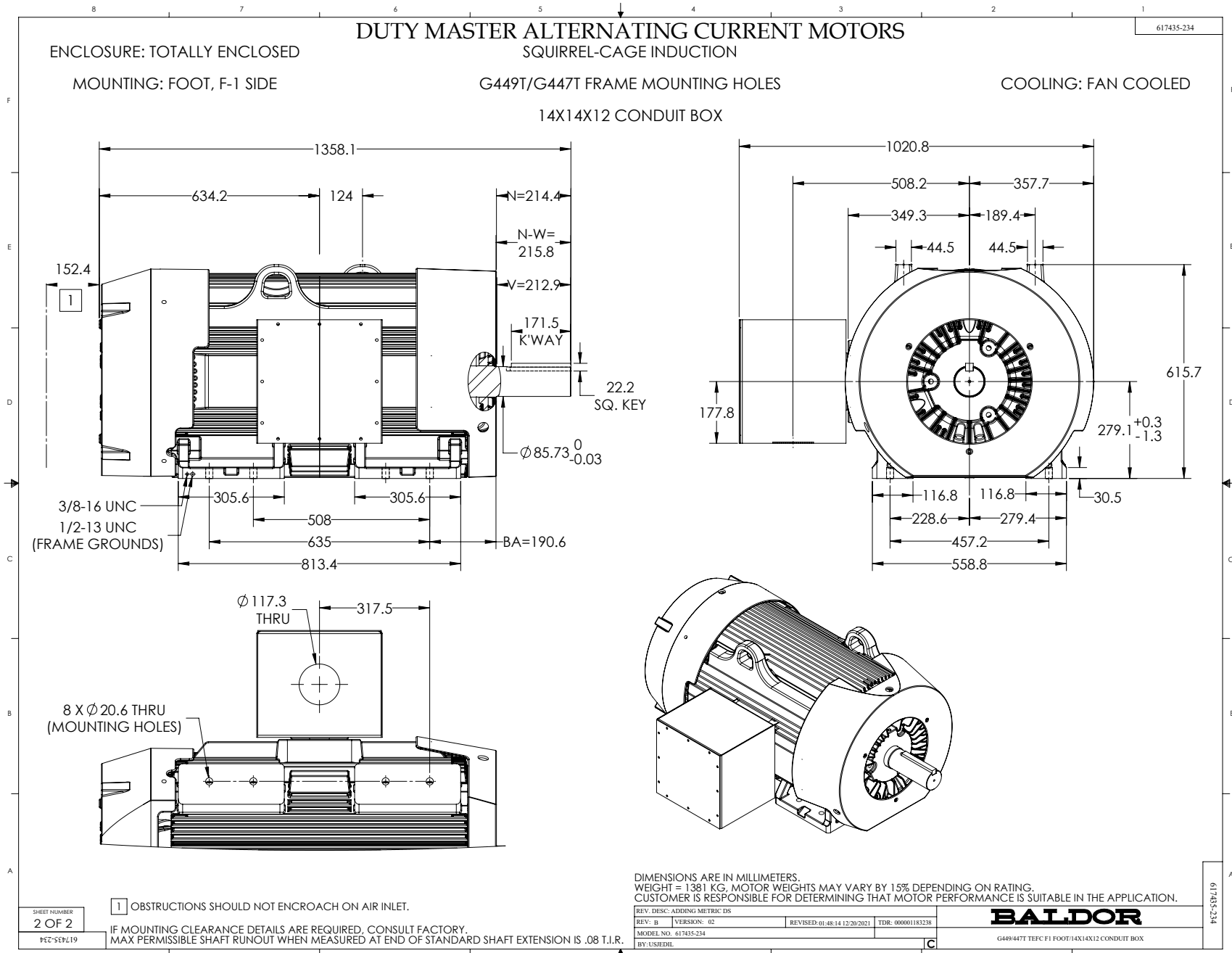
| | |
|--------------------------------------|--------------------|
| Motor Lead Quantity/Wire Size | 6 @ 1/0 AWG |
| Motor Standards | NEMA |
| Motor Type | A44160M |
| Mounting Arrangement | F1 |
| Number of Poles | 4 |
| Overall Length | 53.47 IN |
| Power Factor | 88 |
| Product Family | General Industrial |
| Pulley End Bearing Type | Ball |
| Pulley Face Code | Standard |
| Service Factor | 1.00 |
| Shaft Diameter | 3.375 IN |
| Shaft Ground Indicator | No Shaft Grounding |
| Shaft Rotation | Reversible |
| Shaft Slinger Indicator | Shaft Slinger |
| Speed | 1785 rpm |
| Speed Code | Single Speed |
| Starting Method | Direct on line |
| Thermal Device - Bearing | None |
| Thermal Device - Winding | None |

Nameplate

NP4152LUA

| | | | | | | | | | | | | |
|--------------------|--------------------------------|-----------|------------------|-------------------------|---------------|----------------------|----------------------|------------|---------------|----------------------|-----------|-------|
| CAT # | XT33004T-5 | | SER | | | CC | 010A | | | | | |
| SPEC | A44-0002-5582 | | RATING | 40C AMB-CONT | | | | | | | | |
| HZ | VOLTS | | AMPS | RPM | HP | CODE | SF | DES | PF | NEMA NOM. EFF | | |
| 60 | 575 | | 267 | 1785 | 300 | G | 1 | B | 88 % | 96.2 % | % | |
| | | | | | | | | | % | | % | |
| PH | 3 | CL | F | MAX RPM | 3600 | MAX CORR KVAR | 46 | | | | | |
| BRG | DE | 6318 | ODE | 6318 | ENCL | TEFC | FR | 449T | IP | 54 | | |
| GREASE | POLYREX EM | | | | MTR WT | | LBS | | | | | |
| | CL I DIV 2 GRPS A,B,C,D | | | CL I ZONE 2 GRPS | | | IIA, IIB, IIC | | TEMP T | 230 | C | |
| INV READY | CT | 2:1 | HZ | 30-60 | VT | 1000:1 | HZ | 0-60 | CHP | 1:1.5 | HZ | 60-90 |
| INV TEMP CL | T2C | C | USABLE AT | N/A | | | | | | | | |





416820-036

A-C MOTOR
 CONNECTION DIAGRAM
 STANDARD 3 LEAD CONNECTED



(N.P. 1575-BA)

416820-036

| | | |
|--------------------------------------|------------------------------|-------------------|
| REV. DESC: LOADED TO BUS, C/R 335225 | | |
| REV. LTR: - | VERSION: 00 | TDR: 000000538207 |
| FILE: \MGA\00000\682 | REVISED: 11:54:06 04/30/2010 | |
| MTL: - | BY: RAGRA | |

BALDOR
 CONN DIAG - STANDARD 3 LEAD
 SH 1 of 1