

BALDOR • RELIANCE

Customer information packet

XT33002TS-4

300HP, 3570RPM, 3PH, 60HZ, 449TS, A44128M, TEF

Class - CLI GP A,B,C,D

Division - Division II

Copyright © All product information within this document is subject to ABB Motors and Mechanical Inc. copyright © protection, unless otherwise noted.

5/22/2024 3:17:32 PM

Specifications

Enclosure	TEFC
Frame	449TS
Frame Material	Iron
Frequency	60.00 Hz
Motor Letter Type	Three Phase
Output @ Frequency	300.000 HP @ 60 HZ
Phase	3
Synchronous Speed @ Frequency	3600 RPM @ 60 HZ
Voltage @ Frequency	460.0 V @ 60 HZ
XP Class and Group	CLI GP A,B,C,D
XP Division	Division II
Agency Approvals	UR NEMA_PREMIUM NEMA PREMIUM CCSAUSEEV
Ambient Temperature	40 °C
Auxillary Box	No Auxillary Box
Base Indicator	Rigid
Bearing Grease Type	Polyrex EM (-20F +300F)
Current @ Voltage	324.000 A @ 460.0 V
Design Code	B
Drip Cover	No Drip Cover
Duty Rating	CONT
Efficiency @ 100% Load	95.8 %
Feedback Device	NO FEEDBACK
Heater Indicator	No Heater
High Voltage Full Load Amps	324.0 a
Insulation Class	F
Inverter Code	Not Inverter
IP Rating	NONE
KVA Code	G
Max Speed	4500 rpm

Part detail

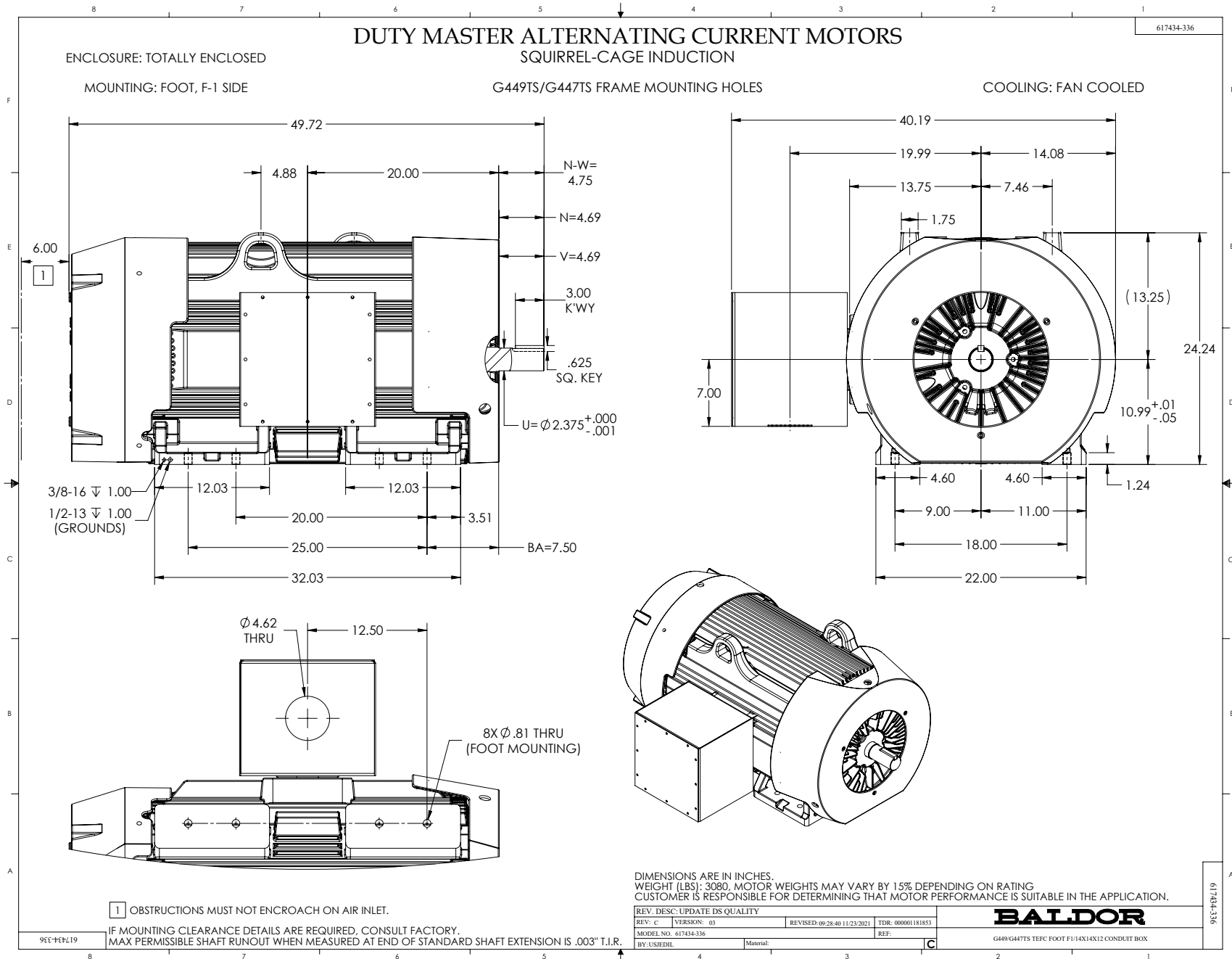
Revision	A
Type	AC
Mech. spec.	
Base	
Status	PRD/A
Elec. spec.	A44WG4563
Layout	617434-336
Eff. date	01-29-2021
CD Diagram	416820-036
Poles	02
Leads	3#2/0 (02 per group)
Proprietary	False
Created date	12-22-2020

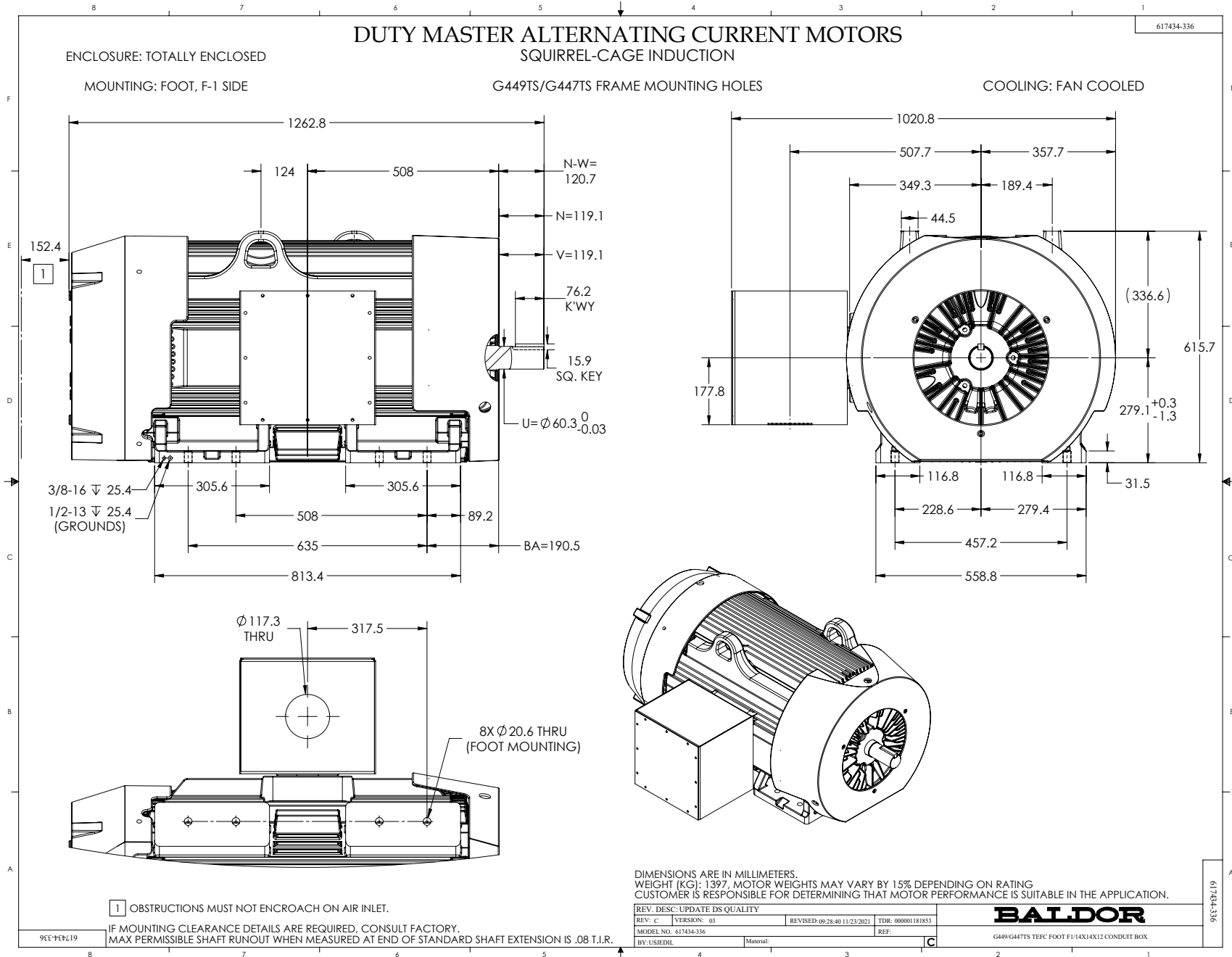
Motor Lead Quantity/Wire Size	6 @ 2/0 AWG
Motor Standards	NEMA
Motor Type	A44128M
Mounting Arrangement	F1
Number of Poles	2
Overall Length	49.72 IN
Power Factor	90
Product Family	General Industrial
Pulley End Bearing Type	Ball
Pulley Face Code	Standard
Service Factor	1.15
Shaft Diameter	2.375 IN
Shaft Ground Indicator	No Shaft Grounding
Shaft Rotation	Reversible
Shaft Slinger Indicator	Shaft Slinger
Speed	3570 rpm
Speed Code	Single Speed
Starting Method	Direct on line
Thermal Device - Bearing	None
Thermal Device - Winding	None

Nameplate

NP4152LUA

CAT #	XT33002TS-4			SER				CC	010A			
SPEC	A44-8837-4563			RATING	40C AMB-CONT							
HZ	VOLTS		AMPS	RPM	HP	CODE	SF	DES	PF	NEMA NOM. EFF		
60	460		324	3570	300	G	1.15	B	90 %	95.8 %	%	
									%		%	
PH	3	CL	F	MAX RPM	4500	MAX CORR KVAR	34	USABLE AT 208V		N/A	A	
BRG	DE	6313	ODE	6313	ENCL	TEFC	FR	449TS	IP	54		
GREASE	POLYREX EM						MTR WT				LBS	
	CL I DIV 2 GRPS A,B,C,D			CL I ZONE 2 GRPS			IIA, IIB, IIC			TEMP T	230 C	
INV READY	CT	2:1	HZ	30-60	VT	0-60	HZ	1000:1	CHP	60-75	HZ	1:1.25
INV TEMP CL	T2C	C	USABLE AT	50HZ 250HP 380V 328A					1.0SF			





416820-036

A-C MOTOR
CONNECTION DIAGRAM
STANDARD 3 LEAD CONNECTED



(N.P. 1575-BA)

416820-036

REV. DESC: LOADED TO BUS, C/R 335225		
REV. LTR: -	VERSION: 00	TDR: 000000538207
FILE: \MGA\00000\682	REVISED: 11: 54: 06 04/30/2010	
MTL: -	BY: RAGRA	

BALDOR

CONN DIAG - STANDARD 3 LEAD
SH 1 of 1