

**BALDOR • RELIANCE**

---

# Customer information packet

## XT3256T

25HP, 1180RPM, 3PH, 60HZ, 324T, 1260M, TEFC, F1

Class - CLI GP A,B,C,D

Division - Division II

## Specifications

Enclosure	TEFC
Frame	324T
Frame Material	Iron
Frequency	60.00 Hz
Motor Letter Type	Three Phase
Output @ Frequency	25.000 HP @ 60 HZ
Phase	3
Synchronous Speed @ Frequency	1200 RPM @ 60 HZ
Voltage @ Frequency	460.0 V @ 60 HZ 230.0 V @ 60 HZ
XP Class and Group	CLIP A,B,C,D
XP Division	Division II
Agency Approvals	CCSA US CSA EEV NEMA PREMIUM NEMA_PREMIUM UR
Ambient Temperature	40 °C
Auxillary Box	No Auxillary Box
Auxillary Box Lead Termination	None
Base Indicator	Rigid
Bearing Grease Type	Polyrex EM (-20F +300F)
Blower	None
Constant Torque Speed Range	3
Current @ Voltage	69.000 A @ 208.0 V 63.000 A @ 230.0 V 32.000 A @ 460.0 V
Design Code	A
Drip Cover	No Drip Cover
Duty Rating	CONT
Efficiency @ 100% Load	93.0 %
Electrically Isolated Bearing	Not Electrically Isolated

## Part detail

Revision	A
Type	AC
Mech. spec.	
Base	
Status	PRD/A
Elec. spec.	12WGY116
Layout	12LYH013
Eff. date	07-24-2023
CD Diagram	CD0180
Poles	06
Leads	9#8
Proprietary	False
Created date	12-07-2020

Feedback Device	NO FEEDBACK
Heater Indicator	No Heater
High Voltage Full Load Amps	32.0 a
Insulation Class	F
Inverter Code	Inverter Duty
IP Rating	NONE
KVA Code	H
Lifting Lugs	Standard Lifting Lugs
Locked Bearing Indicator	Locked Bearing
Motor Lead Termination	Flying Leads
Motor Standards	NEMA
Motor Type	1260M
Mounting Arrangement	F1
Number of Poles	6
Overall Length	30.28 IN
Power Factor	79
Product Family	General Purpose
Pulley Face Code	Standard
Rodent Screen	None
Service Factor	1.15
Shaft Diameter	2.125 IN
Shaft Ground Indicator	No Shaft Grounding
Shaft Rotation	Reversible
Speed	1180 rpm
Speed Code	Single Speed
Starting Method	Direct on line
Thermal Device - Bearing	None
Thermal Device - Winding	None
Vibration Sensor Indicator	No Vibration Sensor
Winding Thermal 1	None
Winding Thermal 2	None
XP Temp Code	T3

**Nameplate**

<b>NP4163L</b>									
<b>CAT.NO.</b>	XT3256T				<b>I.P.</b>	54			
<b>SPEC.</b>	12-0000-1941				<b>ENCL</b>	TEFC			
<b>FRAME</b>	324T	<b>H.P.</b>	25						
<b>VOLTS</b>	230/460		<b>P.F.</b>	79					
<b>F.L. AMPS</b>	63/32		<b>RATING</b>	40C AMB-CONT					
<b>R.P.M.</b>	1180	<b>USABLE AT 208V</b>			N/A				
<b>HZ.</b>	60	<b>PH.</b>	3	<b>CLASS</b>	F				
<b>SER.F.</b>	1.15	<b>DES.</b>	A	<b>SL HZ</b>	0.8				
<b>NEMA NOM. EFF.</b>	93	<b>WK2</b>	11.5						
<b>DE</b>	6312	<b>ODE</b>	6311						
<b>MAG. CUR.</b>	27.6/13.8								
<b>INV TYPE</b>	PWM	<b>CHP</b>	60	<b>TO</b>	90	<b>T. CODE</b>	T3		
<b>CT</b>	3	<b>TO</b>	60	<b>VT</b>	3	<b>TO</b>	60		
<b>CC</b>	010A	<b>SN</b>							
USABLE AT 50 HZ 20HP 190/380V									
62/31A									

**AC Induction Motor Performance Data**

Record # 34363

Typical performance - not guaranteed values

Winding: 12WGY116-R001		Type: 1260M	Enclosure: TEFC	
<b>Nameplate Data</b>			<b>460 V, 60 Hz: High Voltage Connection</b>	
Rated Output (HP)	25	Full Load Torque	111 LB-FT	
Volts	230/460	Start Configuration	direct on line	
Full Load Amps	63/32	Breakdown Torque	308 LB-FT	
R.P.M.	1180	Pull-up Torque	117 LB-FT	
Hz	60	Locked-rotor Torque	171 LB-FT	
NEMA Design Code	A	Starting Current	198 A	
Service Factor (S.F.)	1.15	No-load Current	13.8 A	
NEMA Nom. Eff.	93	Line-line Res. @ 25°C	0.27033 Ω	
Rating - Duty	40C AMB-CONT	Temp. Rise @ Rated Load	46°C	
S.F. Amps		Temp. Rise @ S.F. Load	56°C	
		Locked-rotor Power Factor	28	
		Rotor inertia	11.5 LB-FT <sup>2</sup>	

**Load Characteristics 460 V, 60 Hz, 25 HP**

% of Rated Load	25	50	75	100	125	150	S.F.
Power Factor	43	65	75	79	81	81	80
Efficiency	89.1	92.8	93.5	93.2	92.6	91.5	92.8
Speed	1195.4	1191.8	1188.2	1183.9	1179.3	1172.9	1181
Line amperes	15.6	19.7	25.4	31.9	39.2	49.1	36.3

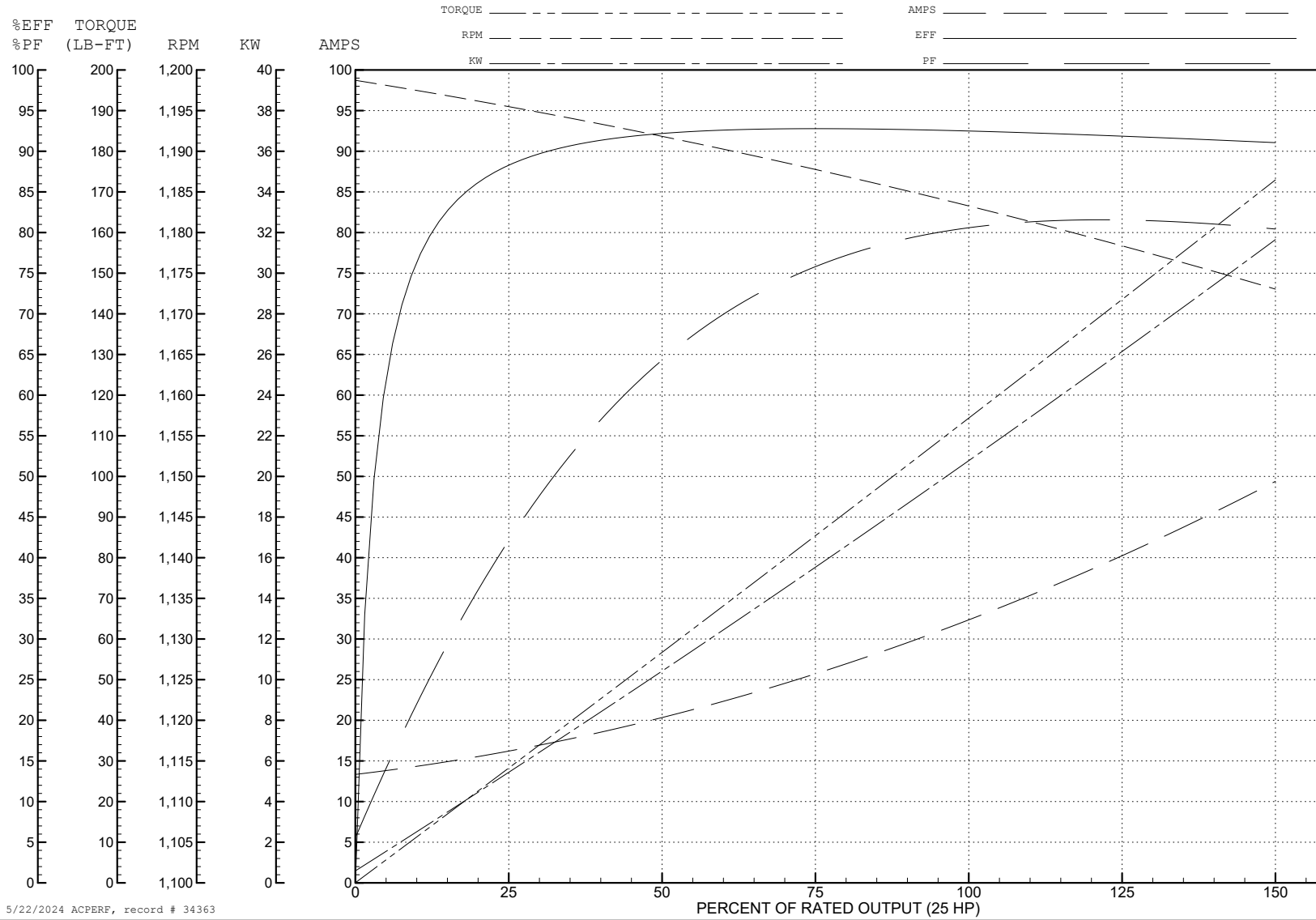
ABB Motors and Mechanical Inc.

WINDING # 12WGY116

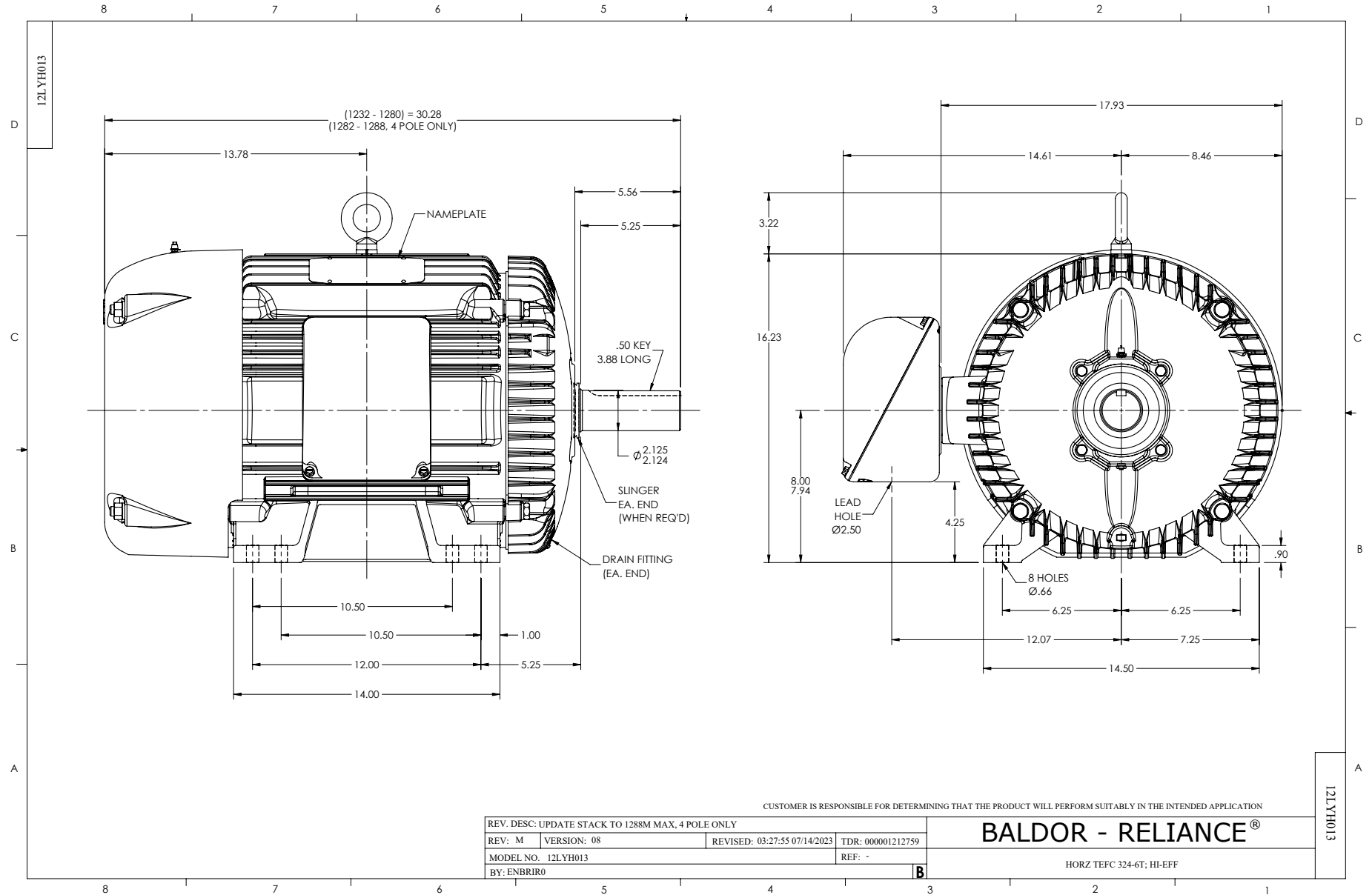
Typical performance - not guaranteed values.

25 HP 3 PH 60 HZ 1180 RPM 460 V 1260M

TORQUES (LB-FT): PO=308 PU=117 LR=171 LRA=198



5/22/2024 ACPERF, record # 34363



CD0180



LOW VOLTAGE  
(2D)



HIGH VOLTAGE  
(1D)



**NOTES:**

1. INTERCHANGE ANY TWO LINE LEADS TO REVERSE ROTATION.
2. OPTIONAL THERMOSTATS ARE PROVIDED WHEN SPECIFIED.
3. ACTUAL NUMBER OF INTERNAL PARALLEL CIRCUITS MAY BE A MULTIPLE OF THOSE SHOWN ABOVE.
4. LEAD COLORS ARE OPTIONAL. LEADS MUST ALWAYS BE NUMBERED AS SHOWN.

CD0180

REV. DESC: ADD CLASS CONN00000007		
REV. LTR: D	VERSION: 01	TDR: 000001099922
FILE: \AAA\00005\148	REVISED: 10: 25: 29 02/19/2019	BY: ENBRIRO
MTL: -	© □	

**BALDOR - RELIANCE®**

3PH, DV, 9 LEADS, DELTA CONNECTION

SH 1 of 1