



---

# Customer information packet

## XT3206T-5

20HP, 1180RPM, 3PH, 60HZ, 286T, 1062M, TEFC, F1

Class - CLI GP A,B,C,D

Division - Division II

## Specifications

Enclosure	TEFC
Frame	286T
Frame Material	Iron
Frequency	60.00 Hz
Haz Area Class and Group	CLI GP A,B,C,D
Haz Area Division	Division II
Motor Letter Type	Three Phase
Output @ Frequency	20.000 HP @ 60 HZ
Phase	3
Synchronous Speed @ Frequency	1200 RPM @ 60 HZ
Voltage @ Frequency	575.0 V @ 60 HZ
Agency Approvals	UR NEMA_PREMIUM NEMA PREMIUM CSA EEV CCSA US
Ambient Temperature	40 °C
Auxillary Box	No Auxillary Box
Auxillary Box Lead Termination	None
Base Indicator	Rigid
Bearing Grease Type	Polyrex EM (-20F +300F)
Blower	None
Constant Torque Speed Range	3
Current @ Voltage	20.600 A @ 575.0 V
Design Code	A
Drip Cover	No Drip Cover
Duty Rating	CONT
Efficiency @ 100% Load	93.0 %
Electrically Isolated Bearing	Not Electrically Isolated
Feedback Device	NO FEEDBACK
Haz Area Temp Code	T3C
Heater Indicator	No Heater

## Part detail

Revision	A
Type	AC
Mech. spec.	
Base	
Status	PRD/A
Elec. spec.	10WGY161
Layout	10LYC151
Eff. date	07-17-2023
CD Diagram	CD0006
Poles	06
Leads	3#10
Proprietary	False
Created date	07-20-2021

High Voltage Full Load Amps	20.6 a
Insulation Class	F
Inverter Code	Inverter Duty
IP Rating	NONE
KVA Code	H
Lifting Lugs	Standard Lifting Lugs
Locked Bearing Indicator	Locked Bearing
Motor Lead Termination	Flying Leads
Motor Standards	NEMA
Motor Type	1062M
Mounting Arrangement	F1
Number of Poles	6
Overall Length	27.76 IN
Power Factor	78
Product Family	General Purpose
Pulley Face Code	Standard
Rodent Screen	None
Service Factor	1.15
Shaft Diameter	1.875 IN
Shaft Ground Indicator	No Shaft Grounding
Shaft Rotation	Reversible
Speed	1180 rpm
Speed Code	Single Speed
Starting Method	Direct on line
Thermal Device - Bearing	None
Thermal Device - Winding	None
Vibration Sensor Indicator	No Vibration Sensor
Winding Thermal 1	None
Winding Thermal 2	None

**Nameplate**

<b>NP4224L</b>									
<b>CAT.NO.</b>	XT3206T-5				<b>I.P.</b>	54			
<b>SPEC.</b>	10-0000-2236				<b>ENCL</b>	TEFC			
<b>FRAME</b>	286T	<b>H.P.</b>	20		<b>T. CODE</b>	T3C			
<b>VOLTS</b>	575		<b>P.F.</b>	78					
<b>F.L. AMPS</b>	20.6		<b>RATING</b>	40C AMB-CONT					
<b>R.P.M.</b>	1180		<b>USABLE AT 208V</b>	N/A					
<b>HZ.</b>	60	<b>PH.</b>	3	<b>CLASS</b>	F				
<b>SER.F.</b>	1.15	<b>DES.</b>	A	<b>SL HZ</b>	1				
<b>NEMA NOM. EFF.</b>	93	<b>WK2</b>	7.59						
<b>DE</b>	6311	<b>ODE</b>	6309						
<b>MAG. CUR.</b>	9.7								
<b>INV TYPE</b>	PWM	<b>CHP</b>	60	<b>TO</b>	90	<b>INV TEMP CODE</b>	T3C		
<b>CT</b>	3	<b>TO</b>	60	<b>VT</b>	3	<b>TO</b>	60		
<b>CC</b>	010A	<b>SN</b>							

**AC Induction Motor Performance Data**

Record # 47253

Typical performance - not guaranteed values

<b>Winding: 10WGY161-R004</b>		<b>Type: 1062M</b>		<b>Enclosure: TEFC</b>	
<b>Nameplate Data</b>			<b>575 V, 60 Hz: Single Voltage Motor</b>		
<b>Rated Output (HP)</b>	20	<b>Full Load Torque</b>	89 LB-FT		
<b>Volts</b>	575	<b>Start Configuration</b>	direct on line		
<b>Full Load Amps</b>	20.6	<b>Breakdown Torque</b>	281 LB-FT		
<b>R.P.M.</b>	1180	<b>Pull-up Torque</b>	110 LB-FT		
<b>Hz</b>	60	<b>Phase</b>	3	<b>Locked-rotor Torque</b>	156 LB-FT
<b>NEMA Design Code</b>	A	<b>KVA Code</b>	H	<b>Starting Current</b>	135 A
<b>Service Factor (S.F.)</b>	1.15	<b>No-load Current</b>	9.64 A		
<b>NEMA Nom. Eff.</b>	93	<b>Power Factor</b>	78	<b>Line-line Res. @ 25°C</b>	0.593 Ω
<b>Rating - Duty</b>	40C AMB-CONT		<b>Temp. Rise @ Rated Load</b>	48°C	
<b>S.F. Amps</b>			<b>Temp. Rise @ S.F. Load</b>	58°C	
			<b>Rotor inertia</b>	7.59 LB-FT <sup>2</sup>	

**Load Characteristics 575 V, 60 Hz, 20 HP**

<b>% of Rated Load</b>	<b>25</b>	<b>50</b>	<b>75</b>	<b>100</b>	<b>125</b>	<b>150</b>	<b>S.F.</b>
<b>Power Factor</b>	40	62	73	78	80	81	79
<b>Efficiency</b>	87.4	92.1	93.2	93.2	92.4	92	92.7
<b>Speed</b>	1195	1191	1187	1183	1178	1173	1180
<b>Line amperes</b>	10.7	13.4	16.7	20.6	25.1	30.2	23.3

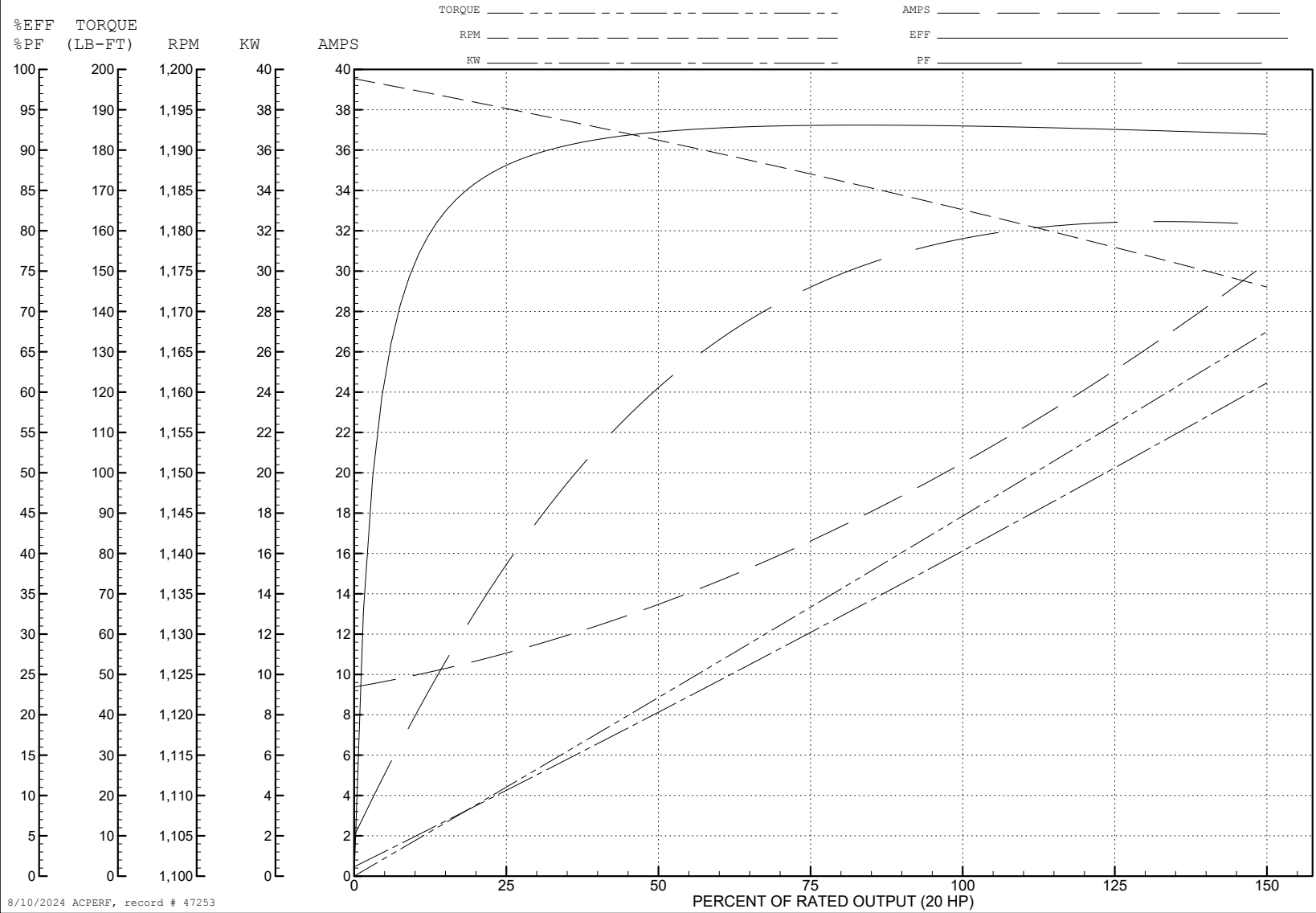
ABB Motors and Mechanical Inc.

WINDING # 10WGY161

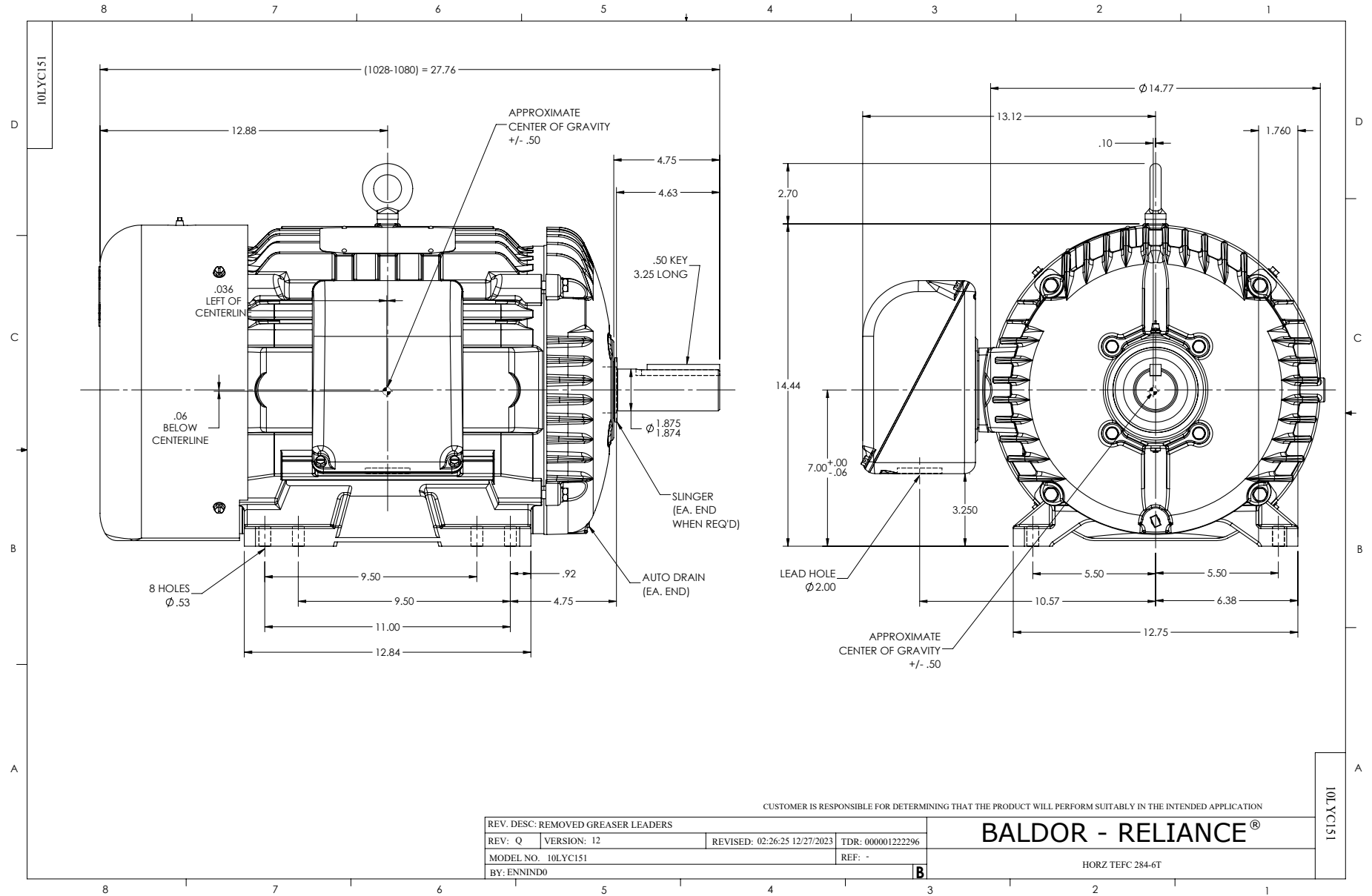
Typical performance - not guaranteed values.

20 HP 3 PH 60 HZ 1180 RPM 575 V 1062M

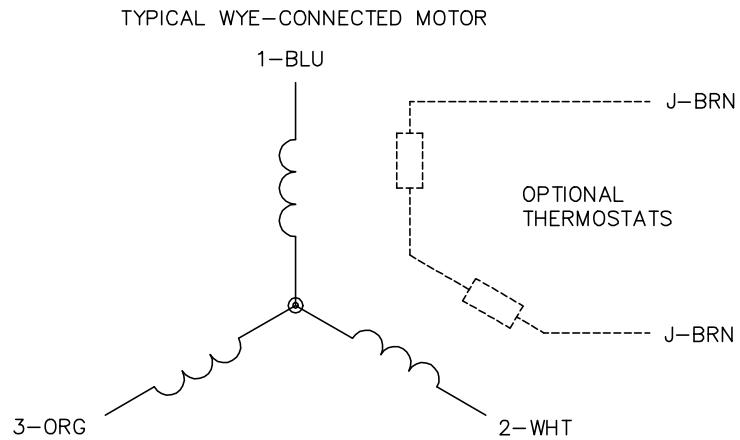
TORQUES (LB-FT): PO=281 PU=110 LR=156 LRA=135



8/10/2024 ACPERF, record # 47253



CD0006



NOTES:

1. THREE LEAD MOTOR MAY BE EITHER WYE CONNECTED OR DELTA CONNECTED.
2. INTERCHANGE ANY TWO LINE LEADS TO REVERSE ROTATION.
3. OPTIONAL THERMOSTATS ARE PROVIDED WHEN SPECIFIED.
4. ACTUAL NUMBER OF INTERNAL PARALLEL CIRCUITS MAY VARY.
5. LEAD COLORS ARE OPTIONAL. LEADS MUST BE NUMBERED AS SHOWN.

CD0006

REV. DESC: ADD CLASS CONN00000007		
REV. LTR: E	VERSION: 01	TDR: 000001099922
FILE: \AAA\00005\141	REVISED: 10: 24: 49 02/19/2019	BY: ENBRIRO
MTL: -	© □	

**BALDOR - RELIANCE®**

3PH, SV, 3 LEADS, WYE OR DELTA CONNECTED

SH 1 of 1