



Customer information packet

XT3204T-5

20HP, 1770RPM, 3PH, 60HZ, 256T, 0960M, TEFC, F1

Class - CLI GP A,B,C,D

Division - Division II

Specifications

Enclosure	TEFC
Frame	256T
Frame Material	Iron
Frequency	60.00 Hz
Motor Letter Type	Three Phase
Output @ Frequency	20.000 HP @ 60 HZ
Phase	3
Synchronous Speed @ Frequency	1800 RPM @ 60 HZ
Voltage @ Frequency	575.0 V @ 60 HZ
XP Class and Group	CLI GP A,B,C,D
XP Division	Division II
Agency Approvals	UR NEMA_PREMIUM NEMA PREMIUM CSA EEV CCSA US
Ambient Temperature	40 °C
Auxillary Box	No Auxillary Box
Auxillary Box Lead Termination	None
Base Indicator	Rigid
Bearing Grease Type	Polyrex EM (-20F +300F)
Blower	None
Constant Torque Speed Range	3
Current @ Voltage	19.200 A @ 575.0 V
Design Code	A
Drip Cover	No Drip Cover
Duty Rating	CONT
Efficiency @ 100% Load	93.0 %
Electrically Isolated Bearing	Not Electrically Isolated
Feedback Device	NO FEEDBACK
Heater Indicator	No Heater
High Voltage Full Load Amps	19.2 a

Part detail

Revision	E
Type	AC
Mech. spec.	
Base	
Status	PRD/A
Elec. spec.	09WGT507
Layout	09LY-001-224
Eff. date	11-14-2023
CD Diagram	CD0006
Poles	04
Leads	3#10
Proprietary	False
Created date	07-20-2021

Insulation Class	F
Inverter Code	Inverter Duty
IP Rating	NONE
KVA Code	J
Lifting Lugs	Standard Lifting Lugs
Locked Bearing Indicator	Locked Bearing
Motor Lead Termination	Flying Leads
Motor Standards	NEMA
Motor Type	0960M
Mounting Arrangement	F1
Number of Poles	4
Overall Length	23.36 IN
Power Factor	83
Product Family	General Purpose
Pulley Face Code	Standard
Rodent Screen	None
Service Factor	1.00
Shaft Diameter	1.625 IN
Shaft Ground Indicator	No Shaft Grounding
Shaft Rotation	Reversible
Speed	1770 rpm
Speed Code	Single Speed
Starting Method	Direct on line
Thermal Device - Bearing	None
Thermal Device - Winding	None
Vibration Sensor Indicator	No Vibration Sensor
Winding Thermal 1	None
Winding Thermal 2	None
XP Temp Code	T3C

Nameplate

NP4224L									
CAT.NO.	XT3204T-5				I.P.	54			
SPEC.	09-0000-3298				ENCL	TEFC			
FRAME	256T	H.P.	20		T. CODE	T3C			
VOLTS	575		P.F.	83					
F.L. AMPS	19.2		RATING	40C AMB-CONT					
R.P.M.	1770		USABLE AT 208V	N/A					
HZ.	60	PH.	3	CLASS	F				
SER.F.	1.00		DES.	A	SL HZ	1			
NEMA NOM. EFF.	93		WK2	2.62					
DE	6309		ODE	6208					
MAG. CUR.	8.3								
INV TYPE	PWM	CHP	60	TO	90	INV TEMP CODE	T3C		
CT	3	TO	60	VT	3	TO	60		
CC	010A	SN							

AC Induction Motor Performance Data

Record # 75397

Typical performance - not guaranteed values

Winding: 09WGT507-R007		Type: 0960M		Enclosure: TEFC	
Nameplate Data			575 V, 60 Hz: Single Voltage Motor		
Rated Output (HP)	20	Full Load Torque	59.29 LB-FT		
Volts	575	Start Configuration	direct on line		
Full Load Amps	19.2	Breakdown Torque	231 LB-FT		
R.P.M.	1770	Pull-up Torque	126 LB-FT		
Hz	60	Phase	3	Locked-rotor Torque	140 LB-FT
NEMA Design Code	A	KVA Code	J	Starting Current	158 A
Service Factor (S.F.)	1	No-load Current	8.28 A		
NEMA Nom. Eff.	93	Power Factor	83	Line-line Res. @ 25°C	0.524 Ω
Rating - Duty	40C AMB-CONT		Temp. Rise @ Rated Load	58°C	
S.F. Amps			Temp. Rise @ S.F. Load	69°C	
			Locked-rotor Power Factor	26.9	
			Rotor inertia	2.65 LB-FT ²	

Load Characteristics 575 V, 60 Hz, 20 HP

% of Rated Load	25	50	75	100	125	150
Power Factor	45	67	78	83	86	87
Efficiency	89.2	93	93.7	93.6	93.1	92.4
Speed	1793	1786	1779	1772	1764	1755
Line amperes	9.41	11.99	15.34	19.19	23.44	27.92

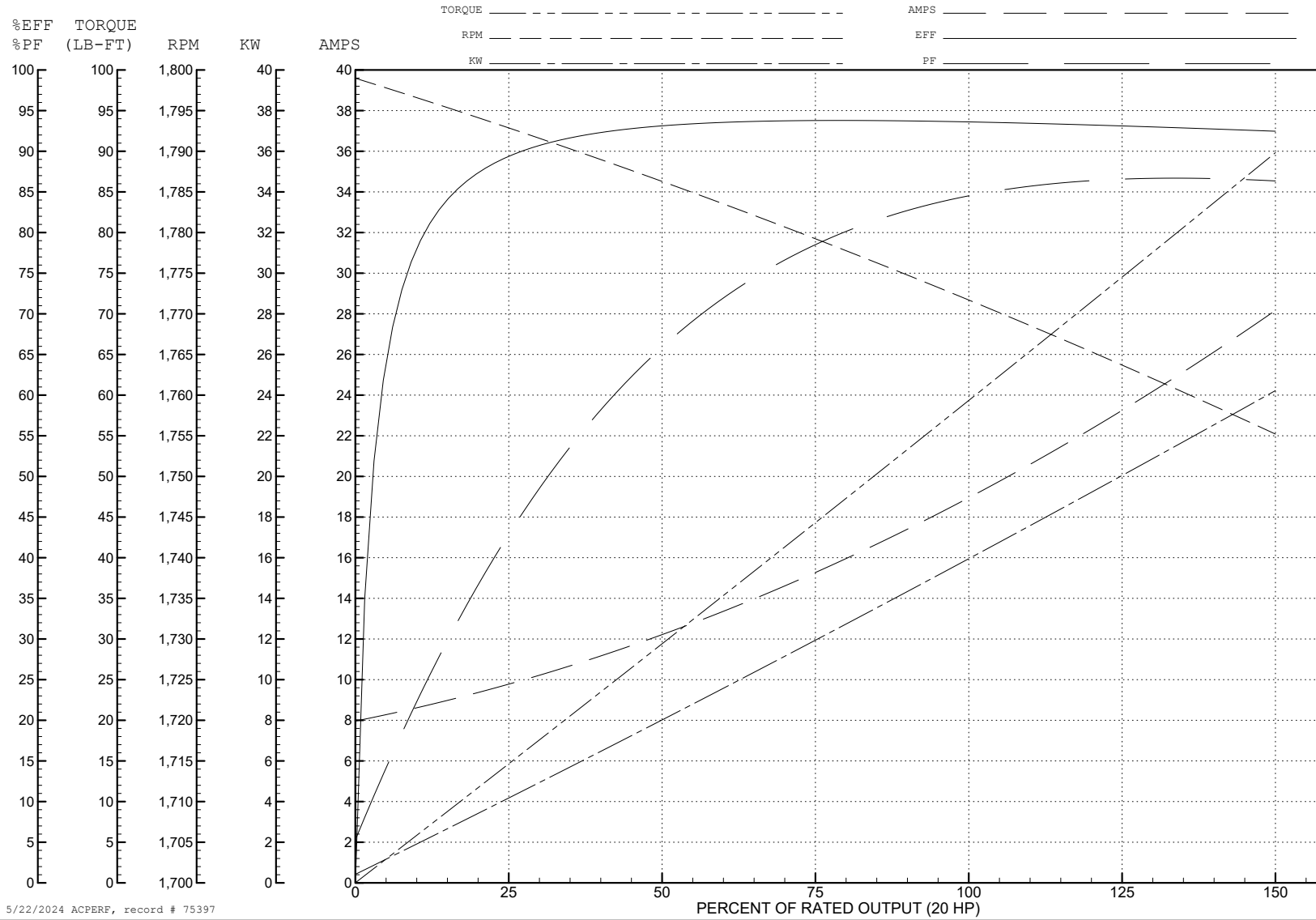
ABB Motors and Mechanical Inc.

WINDING # 09WGT507

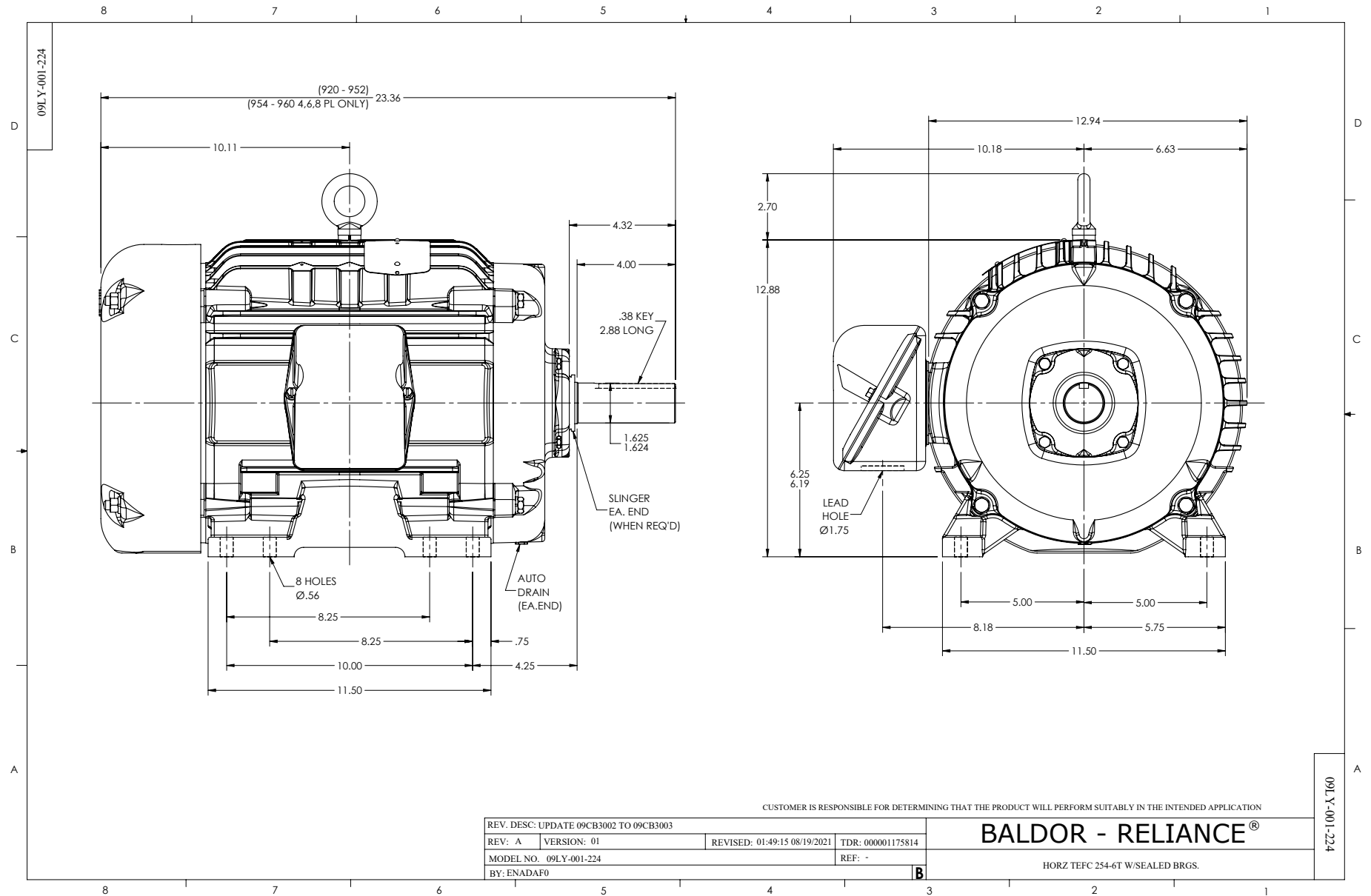
Typical performance - not guaranteed values.

20 HP 3 PH 60 HZ 1770 RPM 575 V 0960M

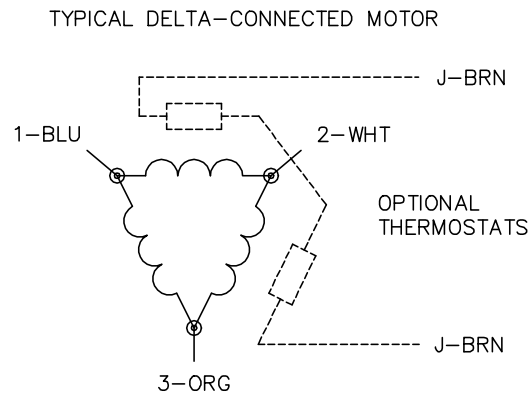
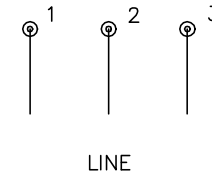
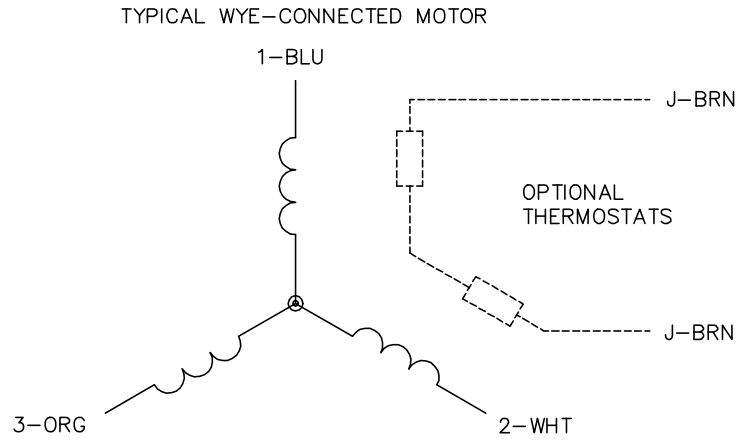
TORQUES (LB-FT): PO=231 PU=126 LR=140 LRA=158



5/22/2024 ACPERF, record # 75397



CD0006



NOTES:

1. THREE LEAD MOTOR MAY BE EITHER WYE CONNECTED OR DELTA CONNECTED.
2. INTERCHANGE ANY TWO LINE LEADS TO REVERSE ROTATION.
3. OPTIONAL THERMOSTATS ARE PROVIDED WHEN SPECIFIED.
4. ACTUAL NUMBER OF INTERNAL PARALLEL CIRCUITS MAY VARY.
5. LEAD COLORS ARE OPTIONAL. LEADS MUST BE NUMBERED AS SHOWN.

CD0006

REV. DESC: ADD CLASS CONN00000007		
REV. LTR: E	VERSION: 01	TDR: 000001099922
FILE: \AAA\00005\141	REVISED: 10:24:49 02/19/2019	BY: ENBRIRO
MTL: -	© □	

BALDOR - RELIANCE®

3PH, SV, 3 LEADS, WYE OR DELTA CONNECTED

SH 1 of 1